



**Appendix B10**  
Junction Systems Design



# BUSCONNECTS DUBLIN CORE BUS CORRIDORS INFRASTRUCTURE WORKS

## BALLYMUN / FINGLAS TO CITY CENTRE CORE BUS CORRIDOR SCHEME

### JUNCTION SYSTEM DESIGN

#### DRAWING SERIES NUMBER(S)

BCIDD-ROT-TSM\_IX-0304\_XX\_00-DR-TR-0001  
 BCIDD-ROT-TSM\_KP-0304\_XX\_00-DR-TR-0001  
 BCIDD-ROT-TSM\_SJ-0304\_XX\_00-DR-TR-0001 to 0038

#### DRAWING SERIES DESCRIPTION

BALLYMUN / FINGLAS TO CITY CENTRE CORE BUS CORRIDOR SCHEME. JUNCTION SYSTEM. COVER SHEET  
 BALLYMUN / FINGLAS TO CITY CENTRE CORE BUS CORRIDOR SCHEME. JUNCTION SYSTEM. KEY PLAN  
 BALLYMUN / FINGLAS TO CITY CENTRE CORE BUS CORRIDOR SCHEME. JUNCTION SYSTEM. DRAWINGS.

C:\Users\j141141\OneDrive\Documents\BALLYMUN\FINGLAS\COVER SHEETS\BCIDD-ROT-TSM\_IX-0304\_XX\_00-DR-TR-0001.dwg

**Disclaimer**  
 a. © National Transport Authority (NTA) 2022. This drawing is confidential and the copyright in it is owned by NTA. This drawing must not be either loaned, copied or otherwise reproduced in whole or in part or used for any purpose without the prior permission of NTA.  
 b. This drawing is to be used for the design element identified in the titleblock. Other information shown is to be considered indicative only. The drawing is to be read in conjunction with all other relevant design drawings.  
 c. O.S. data used for plans are printed under © Ordnance Survey Ireland Government of Ireland. All rights reserved. Licence Number 2022/O.S.\_NMA\_180 National Transport Authority. All elevations are in metres and relate to OSi Geoid Model (OSGM15) Mean Head. All Co-ordinates are in Irish Transverse Mercator Grid (ITM) as defined by OSI active local GPS station.  
 d. Information concerning the position of apparatus shown on this drawing is based on drawings supplied by the utility owners and/or the utility works contractor, whilst every care has been taken in the preparation of this drawing, positions should be taken as approximate and are intended for general guidance only and no representation is made by the NTA as to the accuracy, completeness, sufficiency or otherwise of this drawing and the position of the apparatus. The information contained herein does not purport to be comprehensive or final as the apparatus is subject to being altered and/or superceded. Recipients should not rely on this information. Any liabilities are hereby expressly disclaimed.  
 e. The information contained herein has been provided by the NTA but does not purport to be comprehensive or final. Recipients should not rely on the information. Neither the NTA nor any of its directors, officers, employees, agents, stakeholders or advisers make any representation or warranty as to, or accept any liability or responsibility in relation to, the adequacy, accuracy, reasonableness or completeness of the information provided as part of this document or any matter on which the information is based (including but not limited to loss or damage arising as a result of reliance by recipients on the information or any part of it). Any liabilities are hereby expressly disclaimed.

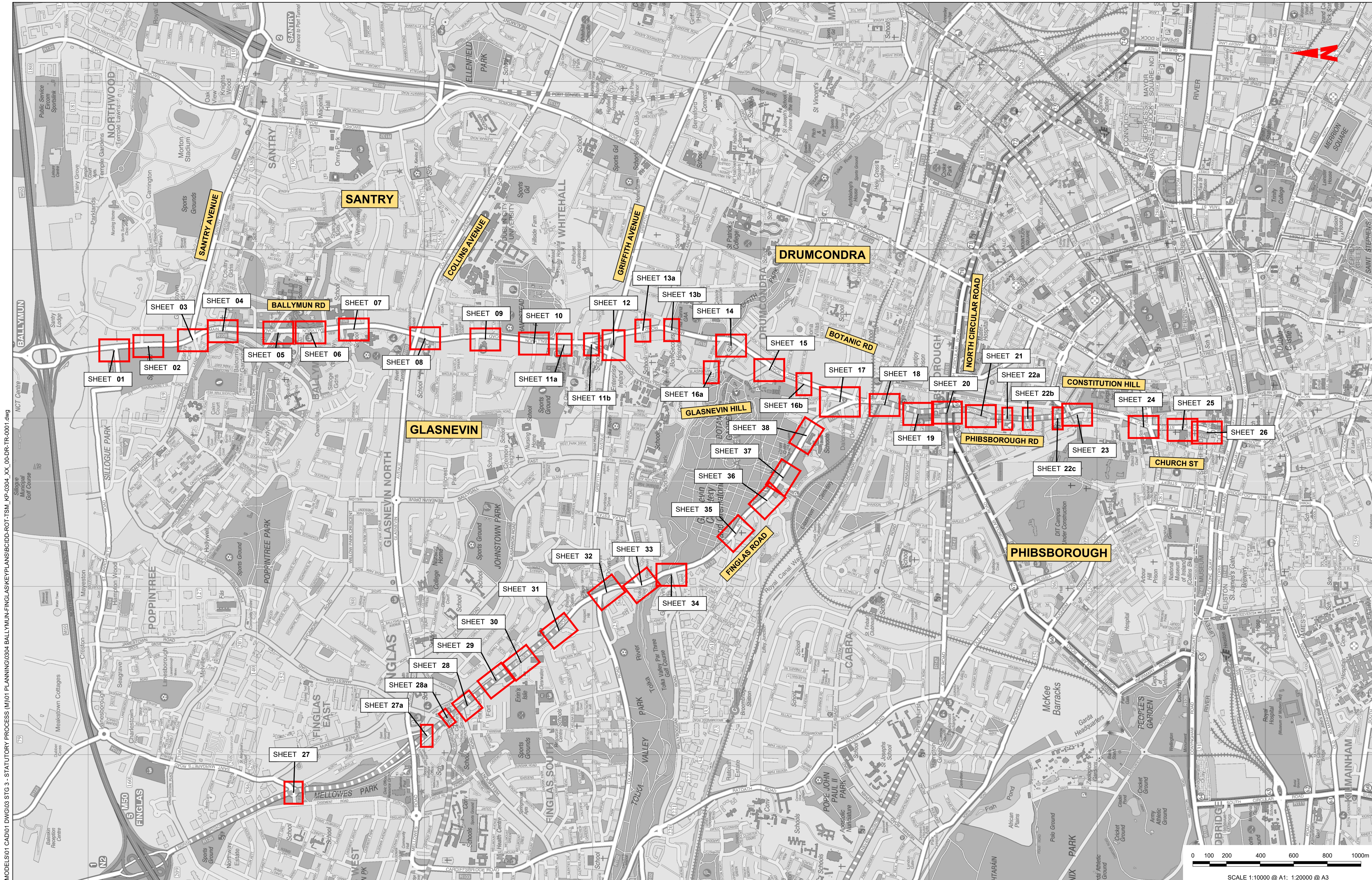


Rev	Date	Drn	Chk'd	App'd	Description
M01	13/05/2022	DS	EE	SMG	ISSUE FOR PHASE 4 : PLANNING

Client <b>NTA</b> Údarás Náisiúnta Iompair National Transport Authority		Engineering Designer <b>IROD</b> RUGHAN & O'DONOVAN TYPISA		
Date 13/05/2022	Scale NTS @ A1 NTS @ A3	Drawn DS	Checked EE	Approved SMG
Programme Code BCIDD	Originator Code ROT	QMS Code		

Programme Title <b>BUSCONNECTS DUBLIN CORE BUS CORRIDORS INFRASTRUCTURE WORKS</b>			
Drawing Title BALLYMUN / FINGLAS TO CITY CENTRE CORE BUS CORRIDOR SCHEME JUNCTION SYSTEM DESIGN COVER SHEET			
Drawing File Name BCIDD-ROT-TSM_IX-0304_XX_00-DR-TR-0001	Sheet Number 01 of 01	Status A	Rev M01

DO NOT SCALE USE FIGURED DIMENSIONS ONLY



J:\2019\1911719117-02\_WIPO8 MODELS\01 CAD\01 DWG\03 STG 3 - STATUTORY PROCESS (M)\01 PLANNING\0304 BALLYMUN-FINGLAS\KEYPLANS\BCIDD-ROT-TSM\_KP-0304\_XX\_00-DR-TR-0001.dwg

**Disclaimer**  
 a. © National Transport Authority (NTA) 2022. This drawing is confidential and the copyright in it is owned by NTA. This drawing must not be either loaned, copied or otherwise reproduced in whole or in part or used for any purpose without the prior permission of NTA.  
 b. This drawing is to be used for the design element identified in the titlebox. Other information shown is to be considered indicative only. The drawing is to be read in conjunction with all other relevant design drawings.  
 c. O.S. data used for plans are printed under © Ordnance Survey Ireland Government of Ireland. All rights reserved. Licence Number 2022/OSI\_NMA\_180 National Transport Authority. All elevations are in metres and relate to OSI Geoid Model (OSGM15) Mean Head. All Co-ordinates are in Irish

Transverse Mercator Grid (ITM) as defined by OSI active local GPS station.  
 d. Information concerning the position of apparatus shown on this drawing is based on information supplied by the utility owners and/or the utility works contractor, whilst every care has been taken in the preparation of this drawing, positions should be taken as approximate and are intended for general guidance only and no representation is made by the NTA as to the accuracy, completeness, sufficiency or otherwise of the information provided as part of this document or any matter on which the information is based (including but not limited to loss or damage arising as a result of reliance by recipients on the information or any part of it). Any liabilities are hereby expressly disclaimed.

The information contained herein has been provided by the NTA but does not purport to be comprehensive or final. Recipients should not rely on the information. Neither the NTA nor any of its directors, officers, employees, agents, stakeholders or advisers make any representation or warranty as to, or accept any liability or responsibility in relation to, the adequacy, accuracy, reasonableness or completeness of the information provided as part of this document or any matter on which the information is based (including but not limited to loss or damage arising as a result of reliance by recipients on the information or any part of it). Any liabilities are hereby expressly disclaimed.



Rev	Date	Drn	Chk'd	App'd	Description
M01	13/05/2022	DS	EE	SMG	ISSUE FOR PHASE 4 : PLANNING

Client  
**NTA**  
 Údarás Náisiúnta Iompair  
 National Transport Authority

Engineering Designer  
**CIROD**  
 TYPSA

Programme Title  
**BUSCONNECTS DUBLIN**  
**CORE BUS CORRIDORS INFRASTRUCTURE WORKS**

Drawing Title  
 BALLYMUN / FINGLAS TO CITY CENTRE CORE BUS CORRIDOR SCHEME  
 JUNCTION SYSTEM DESIGN  
 KEYPLAN

Drawing File Name  
 BCIDD-ROT-TSM\_KP-0304\_XX\_00-DR-TR-0001

Sheet Number  
 01 of 01

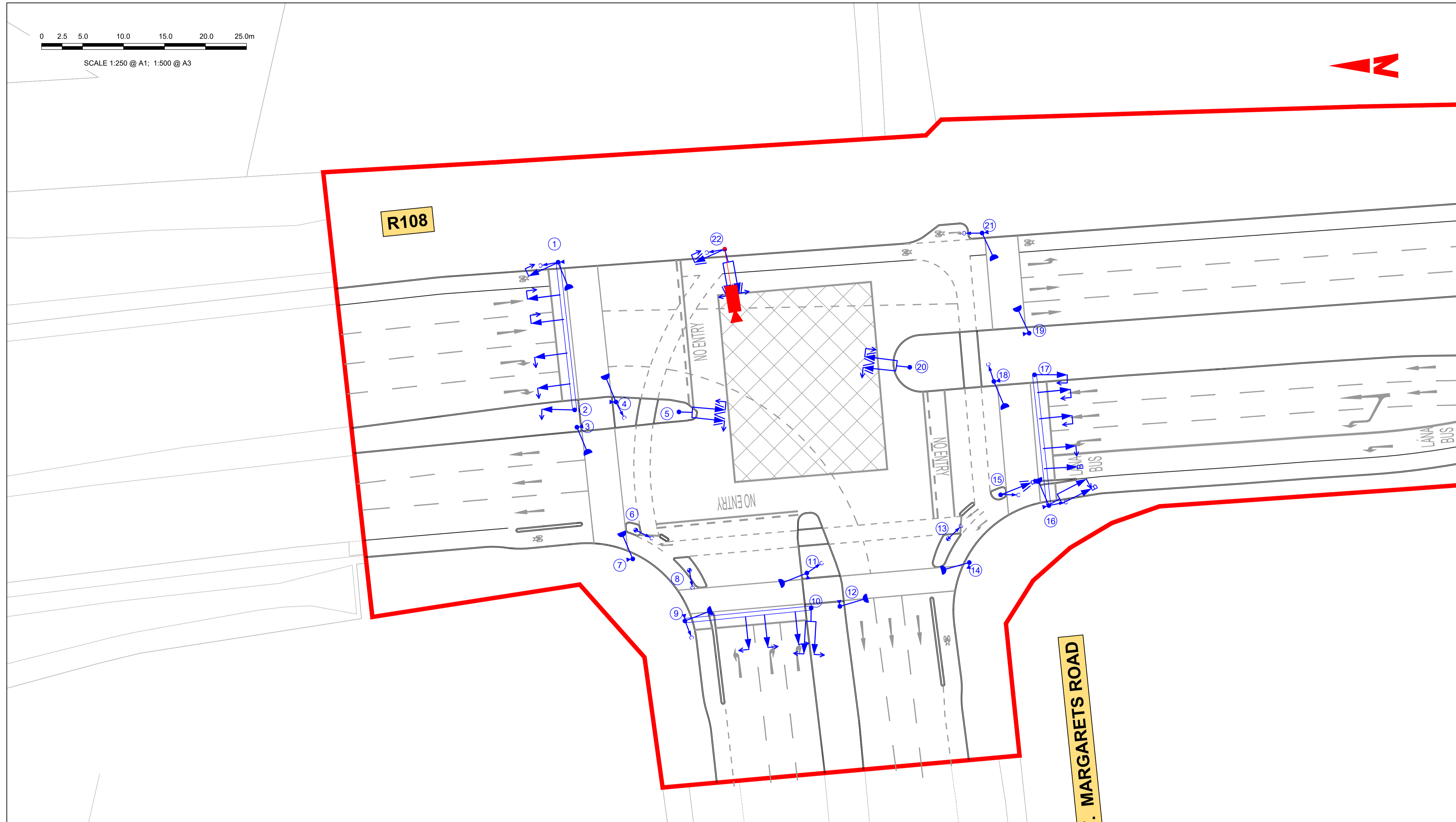
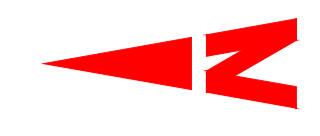
Status  
 A

Rev  
 M01

DO NOT SCALE USE FIGURED DIMENSIONS ONLY

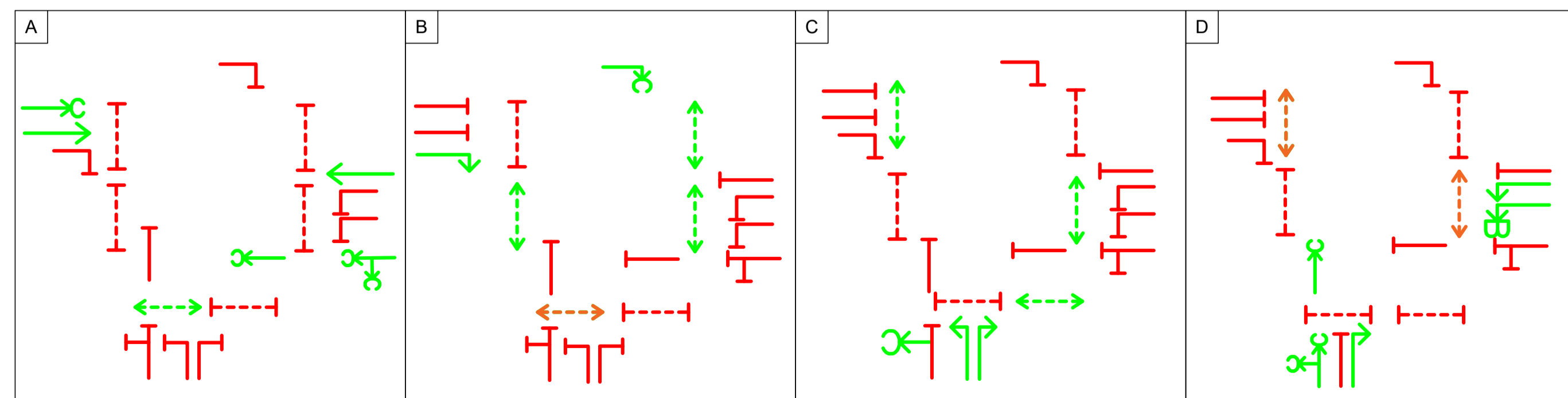
0 2.5 5.0 10.0 15.0 20.0 25.0m

SCALE 1:250 @ A1; 1:500 @ A3



- LEGEND:**
- TRAFFIC SIGNAL HEADS:**
- RTS 001 PRIMARY
  - RTS 001 SECONDARY
  - RTS 002 PRIMARY
  - RTS 002 SECONDARY
  - RTS 003 (RUS 012) PRIMARY
  - RTS 003 (RUS 012) SECONDARY
  - RTS 007 (LOW LEVEL) PRIMARY
  - RPC 004 PEDESTRIAN HEAD
- TRAFFIC SIGNAL EQUIPMENT:**
- POLE (STANDARD HEIGHT)
  - TALL POLE (CCTV/TRAFFIC SIGNALS)
  - POLE NUMBER
  - PUSH BUTTON UNIT
  - PAN / TILT / ZOOM CCTV CAMERA
- GENERAL:**
- SITE BOUNDARY LINE
  - TEMPORARY LAND ACQUISITION

**INDICATIVE METHOD OF CONTROL**



**Disclaimer**  
 a. © National Transport Authority (NTA) 2022. This drawing is confidential and the copyright in it is owned by NTA. This drawing must not be either loaned, copied or otherwise reproduced in whole or in part or used for any purpose without the prior permission of NTA.  
 b. This drawing is to be used for the design element identified in the titlebox. Other information shown is to be considered indicative only. The drawing is to be read in conjunction with all other relevant design drawings.  
 c. O.S. data used for plans are printed under © Ordnance Survey Ireland Government of Ireland. All rights reserved. Licence Number 2022/OSI\_NMA\_180 National Transport Authority. All elevations are in metres and relate to OSI Geoid Model (OSGM15) Mean Head. All Co-ordinates are in Irish

Transverse Mercator Grid (ITM) as defined by OSI active local GPS station.  
 d. Information concerning the position of apparatus shown on this drawing is based on drawings supplied by the utility owners and/or the utility works contractor, whilst every care has been taken in the preparation of this drawing, positions should be taken as approximate and are intended for general guidance only and no representation is made by the NTA as to the accuracy, completeness, sufficiency or otherwise of this drawing and the position of the apparatus. The information contained herein does not purport to be comprehensive or final as the apparatus is subject to being altered and/or superceded. Recipients should not rely on this information. Any liabilities are hereby expressly disclaimed.

e. The information contained herein has been provided by the NTA but does not purport to be comprehensive or final. Recipients should not rely on the information. Neither the NTA nor any of its directors, officers, employees, agents, stakeholders or advisers make any representation or warranty as to, or accept any liability or responsibility in relation to, the adequacy, accuracy, reasonableness or completeness of the information provided as part of this document or any matter on which the information is based (including but not limited to loss or damage arising as a result of reliance by recipients on the information or any part of it). Any liabilities are hereby expressly disclaimed.



Rev	Date	Drm	Chk'd	App'd	Description
M01	13/05/2022	DS	EE	SMG	ISSUE FOR PHASE 4 : PLANNING

Client  
  
 Date: 13/05/2022  
 Scale: 1:250 @ A1, 1:500 @ A3

Engineering Designer  
  
 Drawn: DS  
 Checked: EE  
 Approved: SMG

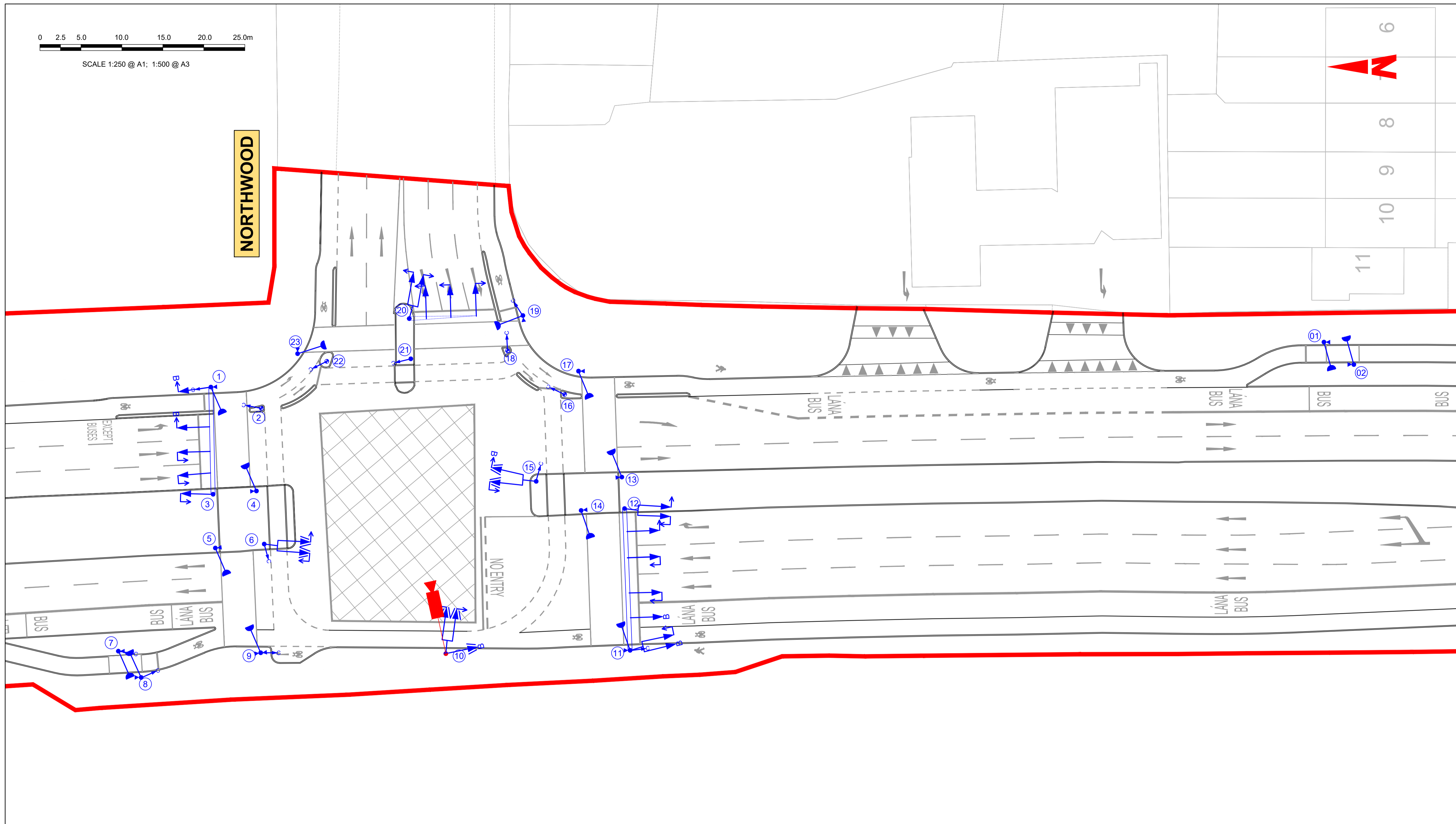
Programme Title  
**BUSCONNECTS DUBLIN**  
**CORE BUS CORRIDORS INFRASTRUCTURE WORKS**  
 Drawing Title  
 BALLYMUN / FINGLAS TO CITY CENTRE CORE BUS CORRIDOR SCHEME  
 JUNCTION SYSTEM DESIGN  
 ST. MARGARET'S ROAD / BALLYMUN ROAD  
 Drawing File Name: BCIDD-ROT-TSM\_SJ-0304\_XX\_00-DR-CR-0001  
 Sheet Number: 01 of 38  
 Status: A  
 Rev: M01

DO NOT SCALE USE FIGURED DIMENSIONS ONLY



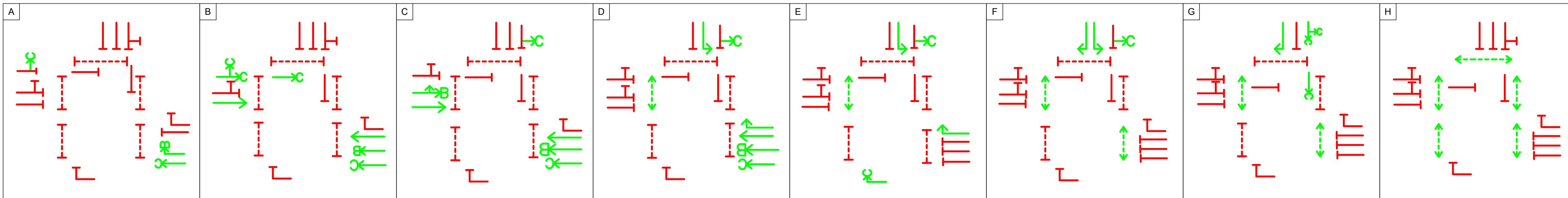
SCALE 1:250 @ A1; 1:500 @ A3

NORTHWOOD



- LEGEND:**
- TRAFFIC SIGNAL HEADS:**
- RTS 001 PRIMARY
  - RTS 001 SECONDARY
  - RTS 002 PRIMARY
  - RTS 002 SECONDARY
  - RTS 003 (RUS 012) PRIMARY
  - RTS 003 (RUS 012) SECONDARY
  - RTS 007 (LOW LEVEL) PRIMARY
  - RPC 004 PEDESTRIAN HEAD
- TRAFFIC SIGNAL EQUIPMENT:**
- POLE (STANDARD HEIGHT)
  - TALL POLE (CCTV/TRAFFIC SIGNALS)
  - POLE NUMBER
  - PUSH BUTTON UNIT
  - PAN / TILT / ZOOM CCTV CAMERA
- GENERAL:**
- SITE BOUNDARY LINE
  - TEMPORARY LAND ACQUISITION

**METHOD OF CONTROL**



**Disclaimer**  
 a. © National Transport Authority (NTA) 2022. This drawing is confidential and the copyright in it is owned by NTA. This drawing must not be either loaned, copied or otherwise reproduced in whole or in part or used for any purpose without the prior permission of NTA.  
 b. This drawing is to be used for the design element identified in the titlebox. Other information shown is to be considered indicative only. The drawing is to be read in conjunction with all other relevant design drawings.  
 c. O.S. data used for plans are printed under © Ordnance Survey Ireland Government of Ireland. All rights reserved. Licence Number 2022/OSI\_NMA\_180 National Transport Authority. All elevations are in metres and relate to OSI Geoid Model (OSGM15) Mean Head. All Co-ordinates are in Irish

Transverse Mercator Grid (ITM) as defined by OSI active local GPS station.  
 d. Information concerning the position of apparatus shown on this drawing is based on drawings supplied by the utility owners and/or the utility works contractor, whilst every care has been taken in the preparation of this drawing, positions should be taken as approximate and are intended for general guidance only and no representation is made by the NTA as to the accuracy, completeness, sufficiency or otherwise of this drawing and the position of the apparatus. The information contained herein does not purport to be comprehensive or final as the apparatus is subject to being altered and/or superceded. Recipients should not rely on this information. Any liabilities are hereby expressly disclaimed.

e. The information contained herein has been provided by the NTA but does not purport to be comprehensive or final. Recipients should not rely on the information. Neither the NTA nor any of its directors, officers, employees, agents, stakeholders or advisers make any representation or warranty as to, or accept any liability or responsibility in relation to, the adequacy, accuracy, reasonableness or completeness of the information provided as part of this document or any matter on which the information is based (including but not limited to loss or damage arising as a result of reliance by recipients on the information or any part of it). Any liabilities are hereby expressly disclaimed.



Rev	Date	Drm	Chk'd	App'd	Description
M01	13/05/2022	DS	EE	SMG	ISSUE FOR PHASE 4 : PLANNING

Client  
**NTA**  
 Údarás Náisiúnta Iompair  
 National Transport Authority

Engineering Designer  
**FIROD**  
 TYPSA

Date	Scale	Drawn	Checked	Approved
13/05/2022	1:250 @ A1 1:500 @ A3	DS	EE	SMG

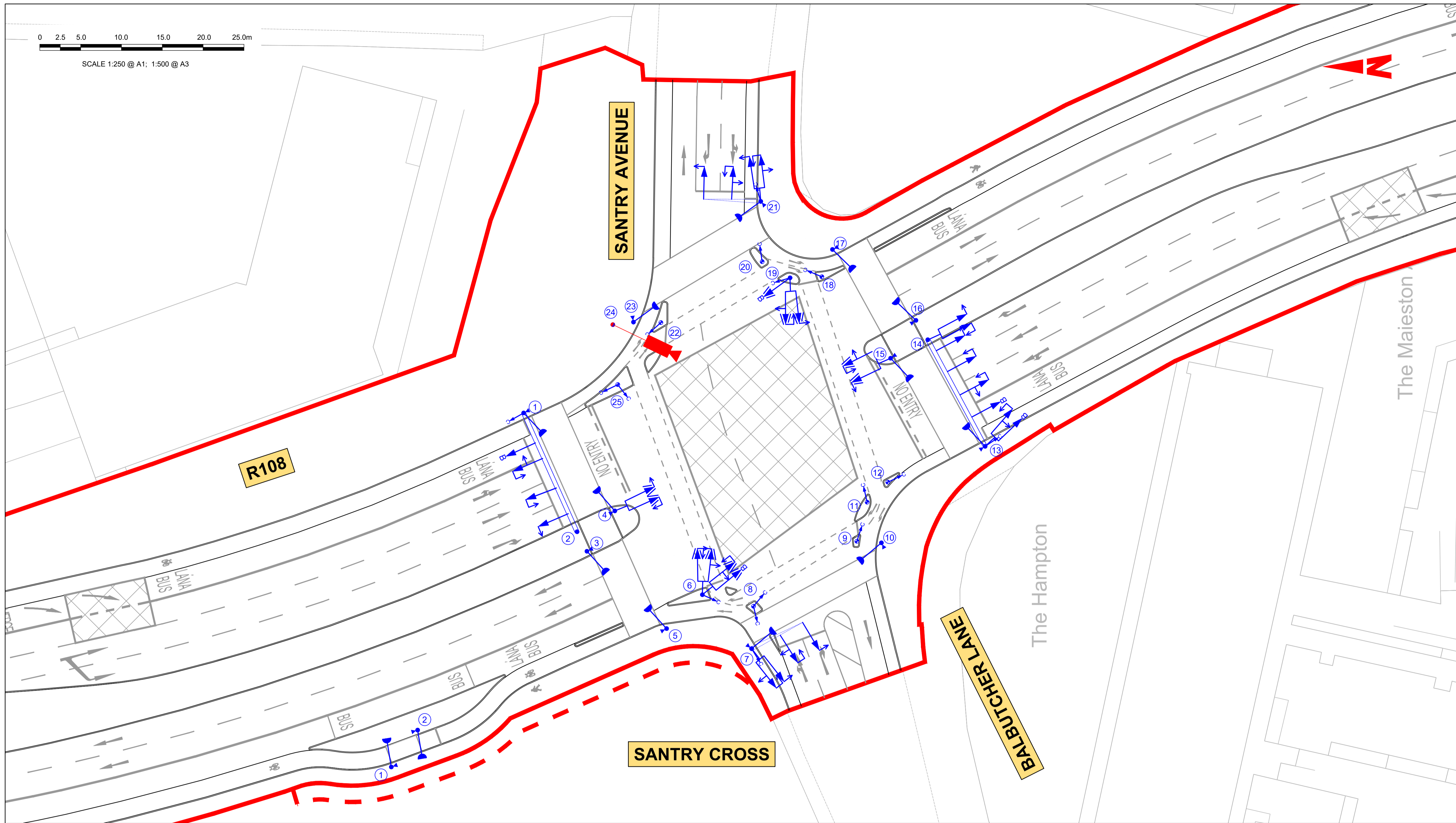
Programme Title  
**BUSCONNECTS DUBLIN**  
**CORE BUS CORRIDORS INFRASTRUCTURE WORKS**

Drawing Title  
 BALLYMUN / FINGLAS TO CITY CENTRE CORE BUS CORRIDOR SCHEME  
 JUNCTION SYSTEM DESIGN  
 NORTHWOOD AVENUE / BALLYMUN ROAD

Drawing File Name	Sheet Number	Status	Rev
BCIDD-ROT-TSM_SJ-0304_XX_00-DR-CR-0002	02 of 38	A	M01

0 2.5 5.0 10.0 15.0 20.0 25.0m

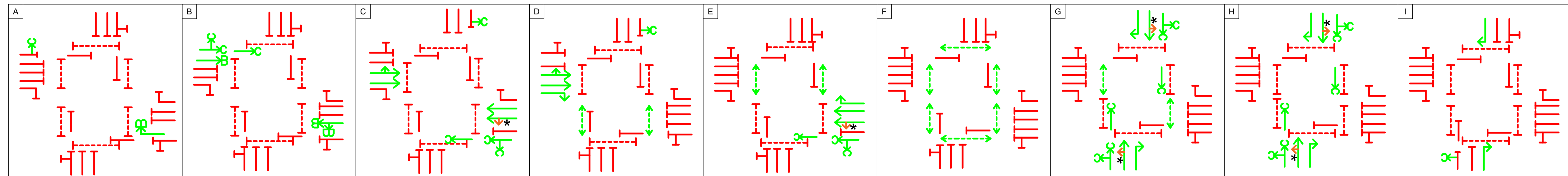
SCALE 1:250 @ A1; 1:500 @ A3



LEGEND:

- TRAFFIC SIGNAL HEADS:**
- RTS 001 PRIMARY
  - RTS 001 SECONDARY
  - RTS 002 PRIMARY
  - RTS 002 SECONDARY
  - RTS 003 (RUS 012) PRIMARY
  - RTS 003 (RUS 012) SECONDARY
  - RTS 007 (LOW LEVEL) PRIMARY
  - RPC 004 PEDESTRIAN HEAD
- TRAFFIC SIGNAL EQUIPMENT:**
- POLE (STANDARD HEIGHT)
  - TALL POLE (CCTV/TRAFFIC SIGNALS)
  - POLE NUMBER
  - PUSH BUTTON UNIT
  - PAN / TILT / ZOOM CCTV CAMERA
- GENERAL:**
- SITE BOUNDARY LINE
  - TEMPORARY LAND ACQUISITION

INDICATIVE METHOD OF CONTROL



\* DENOTES FLASHING AMBER

**Disclaimer**  
 a. © National Transport Authority (NTA) 2022. This drawing is confidential and the copyright in it is owned by NTA. This drawing must not be either loaned, copied or otherwise reproduced in whole or in part or used for any purpose without the prior permission of NTA.  
 b. This drawing is to be used for the design element identified in the titleblock. Other information shown is to be considered indicative only. The drawing is to be read in conjunction with all other relevant design drawings.  
 c. O.S. data used for plans are printed under © Ordnance Survey Ireland Government of Ireland. All rights reserved. Licence Number 2022/OSI\_NMA\_180 National Transport Authority. All elevations are in metres and relate to OSI Geoid Model (OSGM15) Mean Head. All Co-ordinates are in Irish

Transverse Mercator Grid (ITM) as defined by OSI active local GPS station.  
 d. Information concerning the position of apparatus shown on this drawing is based on drawings supplied by the utility owners and/or the utility works contractor, whilst every care has been taken in the preparation of this drawing, positions should be taken as approximate and are intended for general guidance only and no representation is made by the NTA as to the accuracy, completeness, sufficiency or otherwise of this drawing and the position of the apparatus. The information contained herein does not purport to be comprehensive or final as the apparatus is subject to being altered and/or superceded. Recipients should not rely on this information. Any liabilities are hereby expressly disclaimed.

e. The information contained herein has been provided by the NTA but does not purport to be comprehensive or final. Recipients should not rely on the information. Neither the NTA nor any of its directors, officers, employees, agents, stakeholders or advisers make any representation or warranty as to, or accept any liability or responsibility in relation to, the adequacy, accuracy, reasonableness or completeness of the information provided as part of this document or any matter on which the information is based (including but not limited to loss or damage arising as a result of reliance by recipients on the information or any part of it). Any liabilities are hereby expressly disclaimed.



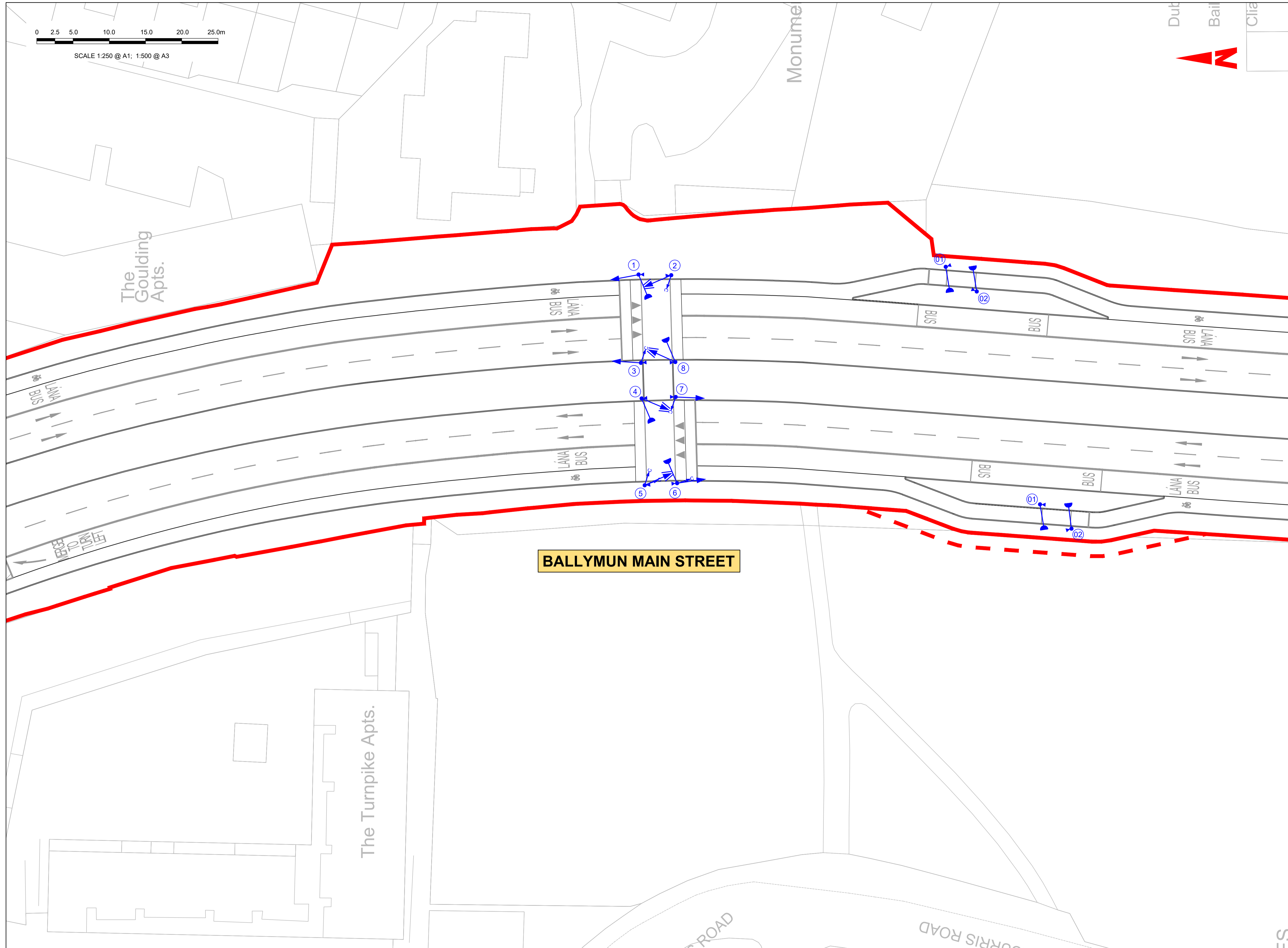
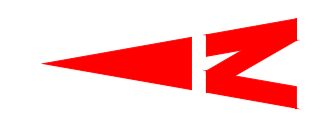
Rev	Date	Dwn	Chk'd	App'd	Description
M01	13/05/2022	DS	EE	SMG	ISSUE FOR PHASE 4 : PLANNING

Client <b>NTA</b> Údarás Náisiúnta Iompair National Transport Authority		Engineering Designer <b>CIROD</b> TYPSA		
Date 13/05/2022	Scale 1:250 @ A1 1:500 @ A3	Drawn DS	Checked EE	Approved SMG
Programme Code BCIDD	Originator Code ROT	QMS Code		

Programme Title <b>BUSCONNECTS DUBLIN</b> <b>CORE BUS CORRIDORS INFRASTRUCTURE WORKS</b>				
Drawing Title BALLYMUN / FINGLAS TO CITY CENTRE CORE BUS CORRIDOR SCHEME JUNCTION SYSTEM DESIGN SANTRY AVENUE / BALLYMUN ROAD				
Drawing File Name BCIDD-ROT-TSM_SJ-0304_XX_00-DR-CR-0003	Sheet Number 03 of 38	Status A	Rev M01	



SCALE 1:250 @ A1; 1:500 @ A3



- LEGEND:**
- TRAFFIC SIGNAL HEADS:**
- RTS 001 PRIMARY
  - RTS 001 SECONDARY
  - RTS 002 PRIMARY
  - RTS 002 SECONDARY
  - RTS 003 (RUS 012) PRIMARY
  - RTS 003 (RUS 012) SECONDARY
  - RTS 007 (LOW LEVEL) PRIMARY
  - RPC 004 PEDESTRIAN HEAD
- TRAFFIC SIGNAL EQUIPMENT:**
- POLE (STANDARD HEIGHT)
  - TALL POLE (CCTV/TRAFFIC SIGNALS)
  - POLE NUMBER
  - PUSH BUTTON UNIT
  - PAN / TILT / ZOOM CCTV CAMERA
- GENERAL:**
- SITE BOUNDARY LINE
  - TEMPORARY LAND ACQUISITION

**Disclaimer**  
 a. © National Transport Authority (NTA) 2022. This drawing is confidential and the copyright in it is owned by NTA. This drawing must not be either loaned, copied or otherwise reproduced in whole or in part or used for any purpose without the prior permission of NTA.  
 b. This drawing is to be used for the design element identified in the titlebox. Other information shown is to be considered indicative only. The drawing is to be read in conjunction with all other relevant design drawings.  
 c. O.S. data used for plans are printed under © Ordnance Survey Ireland Government of Ireland. All rights reserved. Licence Number 2022/OSI\_NMA\_180 National Transport Authority. All elevations are in metres and relate to OSI Geoid Model (OSGM15) Mean Head. All Co-ordinates are in Irish

Transverse Mercator Grid (ITM) as defined by OSI active local GPS station.  
 d. Information concerning the position of apparatus shown on this drawing is based on drawings supplied by the utility owners and/or the utility works contractor, whilst every care has been taken in the preparation of this drawing, positions should be taken as approximate and are intended for general guidance only and no representation is made by the NTA as to the accuracy, completeness, sufficiency or otherwise of this drawing and the position of the apparatus. The information contained herein does not purport to be comprehensive or final as the apparatus is subject to being altered and/or superceded. Recipients should not rely on this information. Any liabilities are hereby expressly disclaimed.

e. The information contained herein has been provided by the NTA but does not purport to be comprehensive or final. Recipients should not rely on the information. Neither the NTA nor any of its directors, officers, employees, agents, stakeholders or advisers make any representation or warranty as to, or accept any liability or responsibility in relation to, the adequacy, accuracy, reasonableness or completeness of the information provided as part of this document or any matter on which the information is based (including but not limited to loss or damage arising as a result of reliance by recipients on the information or any part of it). Any liabilities are hereby expressly disclaimed.



Rev	Date	Drm	Chk'd	App'd	Description
M01	13/05/2022	DS	EE	SMG	ISSUE FOR PHASE 4 : PLANNING

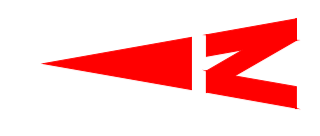
<b>Client</b> Údarás Náisiúnta Iompair National Transport Authority		<b>Engineering Designer</b> IROD TYPSA		
Date	Scale	Drawn	Checked	Approved
13/05/2022	1:250 @ A1 1:500 @ A3	DS	EE	SMG
Programme Code	Originator Code	QMS Code		
BCIDD	ROT			

<b>Programme Title</b> BUSCONNECTS DUBLIN CORE BUS CORRIDORS INFRASTRUCTURE WORKS			
<b>Drawing Title</b> BALLYMUN / FINGLAS TO CITY CENTRE CORE BUS CORRIDOR SCHEME JUNCTION SYSTEM DESIGN TOUCAN CROSSING			
Drawing File Name	Sheet Number	Status	Rev
BCIDD-ROT-TSM_SJ-0304_XX_00-DR-CR-0004	04 of 38	A	M01

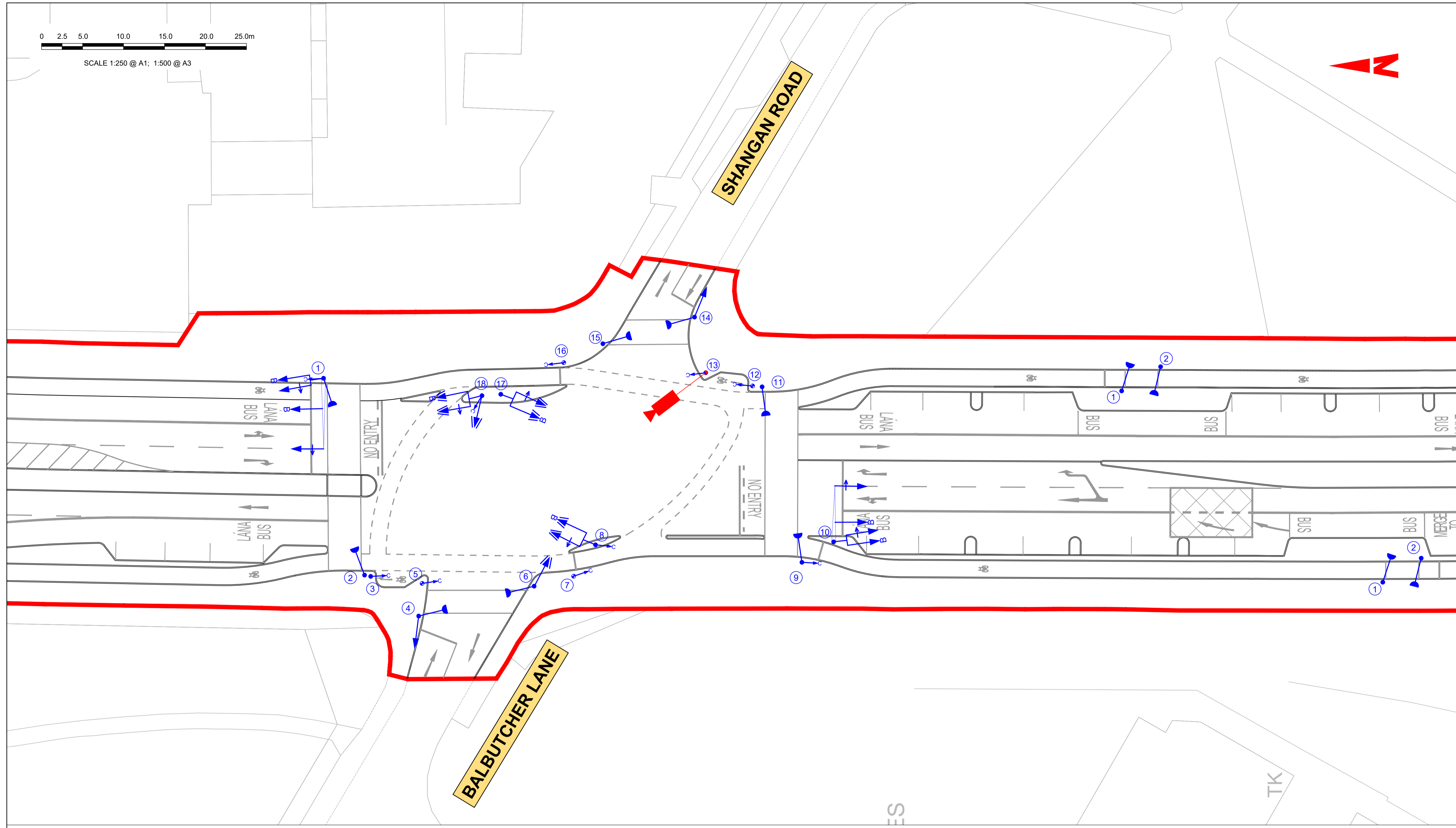
DO NOT SCALE USE FIGURED DIMENSIONS ONLY



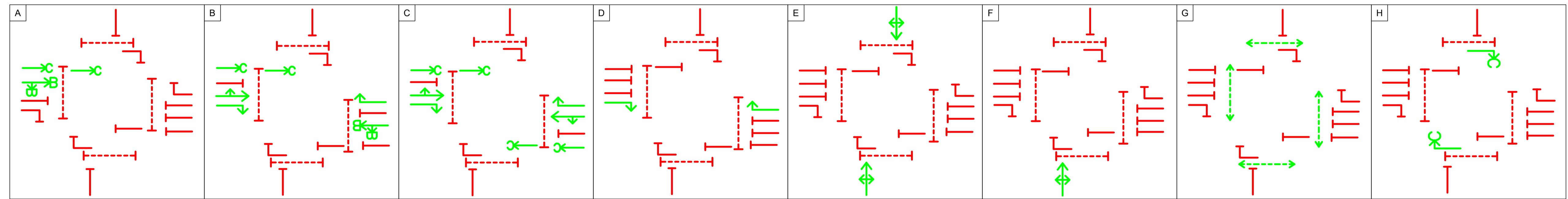
SCALE 1:250 @ A1; 1:500 @ A3



- LEGEND:**
- TRAFFIC SIGNAL HEADS:**
- RTS 001 PRIMARY
  - RTS 001 SECONDARY
  - RTS 002 PRIMARY
  - RTS 002 SECONDARY
  - RTS 003 (RUS 012) PRIMARY
  - RTS 003 (RUS 012) SECONDARY
  - RTS 007 (LOW LEVEL) PRIMARY
  - RPC 004 PEDESTRIAN HEAD
- TRAFFIC SIGNAL EQUIPMENT:**
- POLE (STANDARD HEIGHT)
  - TALL POLE (CCTV/TRAFFIC SIGNALS)
  - POLE NUMBER
  - PUSH BUTTON UNIT
  - PAN / TILT / ZOOM CCTV CAMERA
- GENERAL:**
- SITE BOUNDARY LINE
  - TEMPORARY LAND ACQUISITION



**INDICATIVE METHOD OF CONTROL**



**Disclaimer**

a. © National Transport Authority (NTA) 2022. This drawing is confidential and the copyright in it is owned by NTA. This drawing must not be either loaned, copied or otherwise reproduced in whole or in part or used for any purpose without the prior permission of NTA.

b. This drawing is to be used for the design element identified in the titleblock. Other information shown is to be considered indicative only. The drawing is to be read in conjunction with all other relevant design drawings.

c. O.S. data used for plans are printed under © Ordnance Survey Ireland Government of Ireland. All rights reserved. Licence Number 2022/OSI\_NMA\_180 National Transport Authority. All elevations are in metres and relate to OSI Geoid Model (OSGM15) Mean Head. All Co-ordinates are in Irish Transverse Mercator Grid (ITM) as defined by OSI active local GPS station.

d. Information concerning the position of apparatus shown on this drawing is based on drawings supplied by the utility owners and/or the utility works contractor, whilst every care has been taken in the preparation of this drawing, positions should be taken as approximate and are intended for general guidance only and no representation is made by the NTA as to the accuracy, completeness, sufficiency or otherwise of this drawing and the position of the apparatus. The information contained herein does not purport to be comprehensive or final as the apparatus is subject to being altered and/or superceded. Recipients should not rely on this information. Any liabilities are hereby expressly disclaimed.

e. The information contained herein has been provided by the NTA but does not purport to be comprehensive or final. Recipients should not rely on the information. Neither the NTA nor any of its directors, officers, employees, agents, stakeholders or advisers make any representation or warranty as to, or accept any liability or responsibility in relation to, the adequacy, accuracy, reasonableness or completeness of the information provided as part of this document or any matter on which the information is based (including but not limited to loss or damage arising as a result of reliance by recipients on the information or any part of it). Any liabilities are hereby expressly disclaimed.

Rev	Date	Drm	Chk'd	App'd	Description
M01	13/05/2022	DS	EE	SMG	ISSUE FOR PHASE 4 : PLANNING

Client: **NTA**  
Údarás Náisiúnta Iompair  
National Transport Authority

Engineering Designer: **CIROD**  
TYPSA

Date: 13/05/2022 | Scale: 1:250 @ A1, 1:500 @ A3 | Drawn: DS | Checked: EE | Approved: SMG

Programme Code: BCIDD | Originator Code: ROT | QMS Code:

Programme Title: **BUSCONNECTS DUBLIN**  
**CORE BUS CORRIDORS INFRASTRUCTURE WORKS**

Drawing Title: **BALLYMUN / FINGLAS TO CITY CENTRE CORE BUS CORRIDOR SCHEME**  
JUNCTION SYSTEM DESIGN  
SHANGAN ROAD / BALLYMUN ROAD

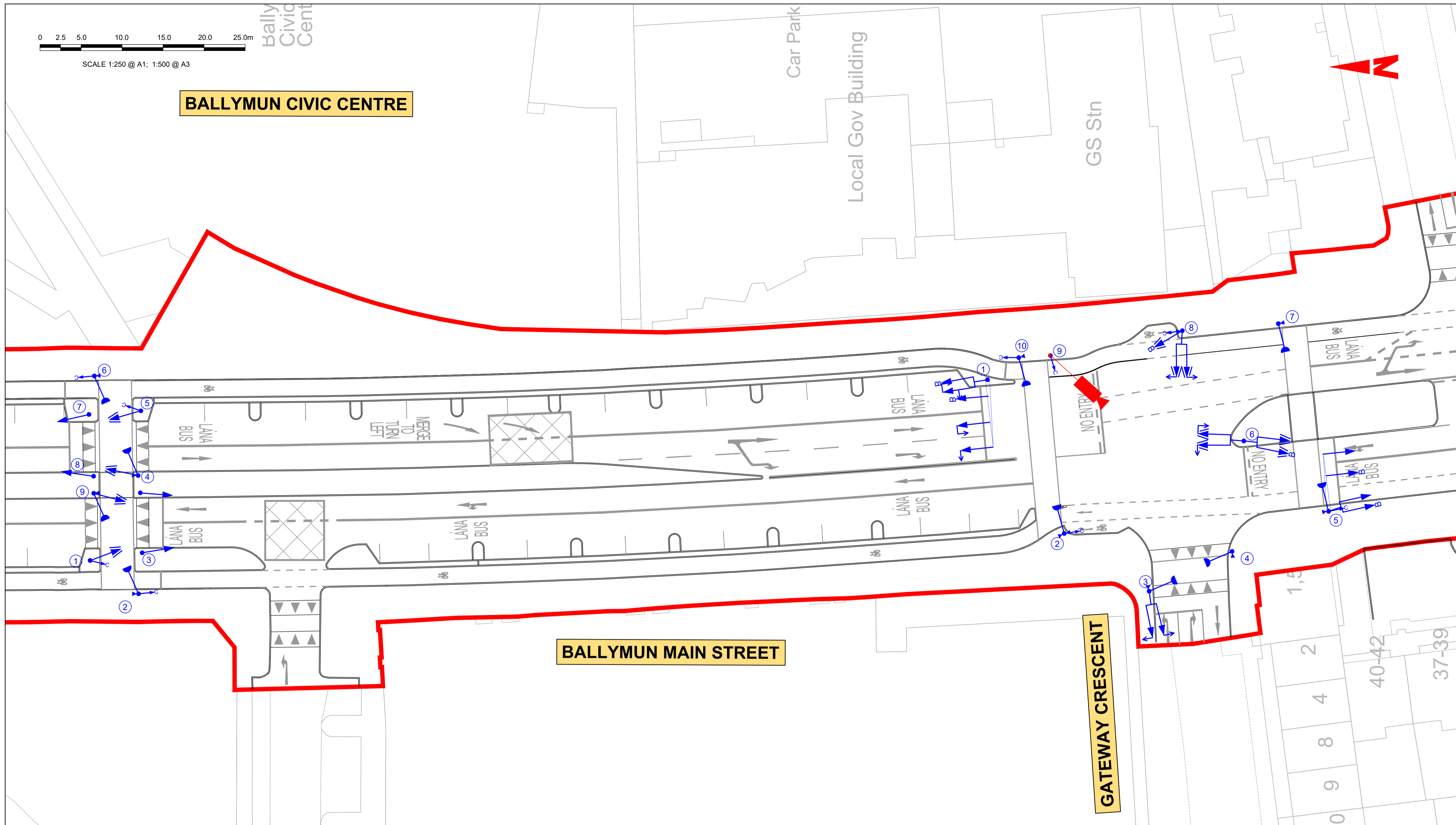
Drawing File Name: BCIDD-ROT-TSM\_SJ-0304\_XX\_00-DR-CR-0005 | Sheet Number: 05 of 38 | Status: A | Rev: M01





SCALE 1:250 @ A1; 1:500 @ A3

**BALLYMUN CIVIC CENTRE**



**LEGEND:**

**TRAFFIC SIGNAL HEADS:**

- RTS 001 PRIMARY
- RTS 001 SECONDARY
- RTS 002 PRIMARY
- RTS 002 SECONDARY
- RTS 003 (RUS 012) PRIMARY
- RTS 003 (RUS 012) SECONDARY
- RTS 007 (LOW LEVEL) PRIMARY
- RPC 004 PEDESTRIAN HEAD

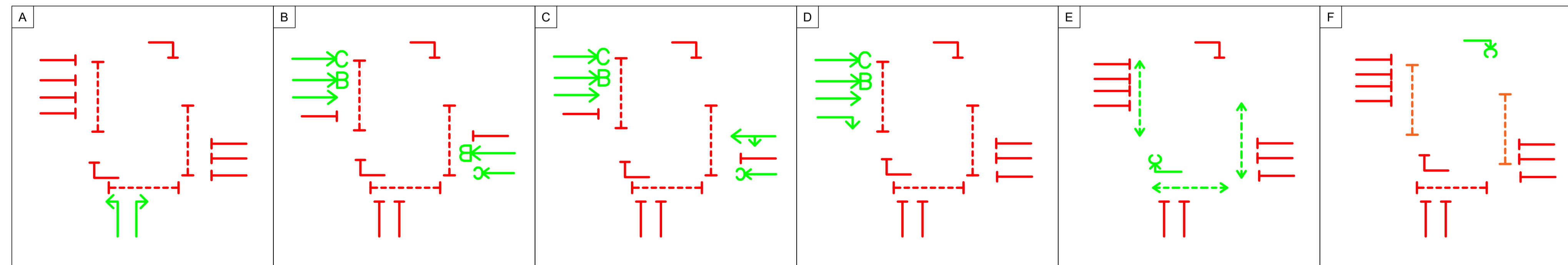
**TRAFFIC SIGNAL EQUIPMENT:**

- POLE (STANDARD HEIGHT)
- TALL POLE (CCTV/TRAFFIC SIGNALS)
- POLE NUMBER
- PUSH BUTTON UNIT
- PAN / TILT / ZOOM CCTV CAMERA

**GENERAL:**

- SITE BOUNDARY LINE
- TEMPORARY LAND ACQUISITION

**INDICATIVE METHOD OF CONTROL**



**Disclaimer**  
 a. © National Transport Authority (NTA) 2022. This drawing is confidential and the copyright in it is owned by NTA. This drawing must not be either loaned, copied or otherwise reproduced in whole or in part or used for any purpose without the prior permission of NTA.  
 b. This drawing is to be used for the design element identified in the titlebox. Other information shown is to be considered indicative only. The drawing is to be read in conjunction with all other relevant design drawings.  
 c. O.S. data used for plans are printed under © Ordnance Survey Ireland Government of Ireland. All rights reserved. Licence Number 2022/OSI\_NMA\_180 National Transport Authority. All elevations are in metres and relate to OSI Geoid Model (OSGM15) Mean Head. All Co-ordinates are in Irish

Transverse Mercator Grid (ITM) as defined by OSI active local GPS station.  
 Information concerning the position of apparatus shown on this drawing is based on drawings supplied by the utility owners and/or the utility works contractor, whilst every care has been taken in the preparation of this drawing, positions should be taken as approximate and are intended for general guidance only and no representation is made by the NTA as to the accuracy, completeness, sufficiency or otherwise of this drawing and the position of the apparatus. The information contained herein does not purport to be comprehensive or final as the apparatus is subject to being altered and/or superceded. Recipients should not rely on this information. Any liabilities are hereby expressly disclaimed.

The information contained herein has been provided by the NTA but does not purport to be comprehensive or final. Recipients should not rely on the information. Neither the NTA nor any of its directors, officers, employees, agents, stakeholders or advisers make any representation or warranty as to, or accept any liability or responsibility in relation to, the adequacy, accuracy, reasonableness or completeness of the information provided as part of this document or any matter on which the information is based (including but not limited to loss or damage arising as a result of reliance by recipients on the information or any part of it). Any liabilities are hereby expressly disclaimed.



Rev	Date	Drm	Chk'd	App'd	Description
M01	13/05/2022	DS	EE	SMG	ISSUE FOR PHASE 4 : PLANNING

Client: **NTA** Údarás Náisiúnta Iompair National Transport Authority

Engineering Designer: **CIROD** TYPSA

Date: 13/05/2022 Scale: 1:250 @ A1, 1:500 @ A3

Drawn: DS, Checked: EE, Approved: SMG

Programme Code: BCIDD, Originator Code: ROT, QMS Code:

Programme Title: **BUSCONNECTS DUBLIN CORE BUS CORRIDORS INFRASTRUCTURE WORKS**

Drawing Title: BALLYMUN / FINGLAS TO CITY CENTRE CORE BUS CORRIDOR SCHEME JUNCTION SYSTEM DESIGN GATEWAY CRESCENT / BALLYMUN ROAD

Drawing File Name: BCIDD-ROT-TSM\_SJ-0304\_XX\_00-DR-CR-0006

Sheet Number: 06 of 38, Status: A, Rev: M01

DO NOT SCALE USE FIGURED DIMENSIONS ONLY



SCALE 1:250 @ A1; 1:500 @ A3

Dublin  
Baile Átha  
Cliath

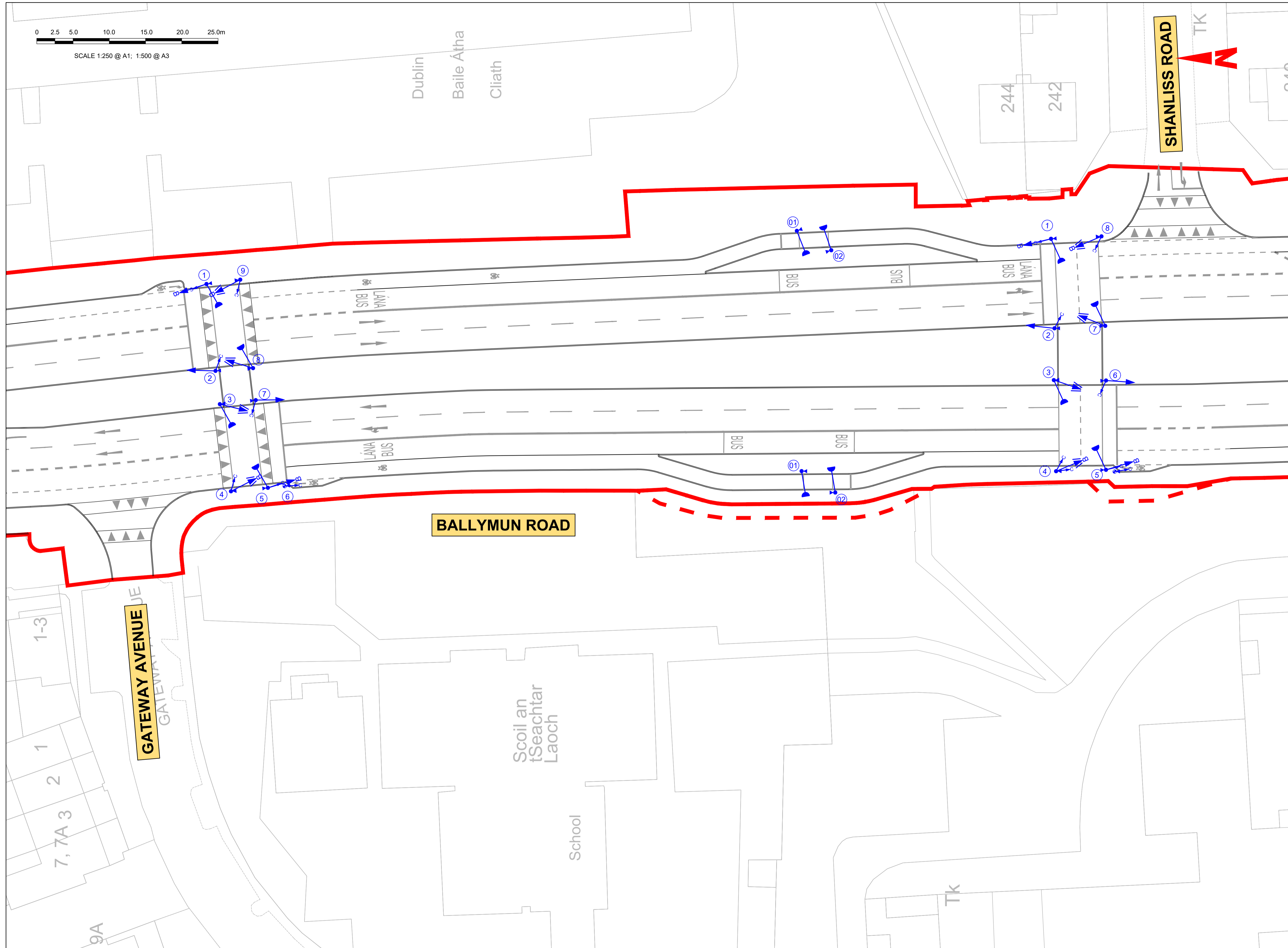
SHANLISS ROAD

BALLYMUN ROAD

GATEWAY AVENUE

Scoil an tSeachtar Laoch  
School

- LEGEND:**
- TRAFFIC SIGNAL HEADS:**
- RTS 001 PRIMARY
  - RTS 001 SECONDARY
  - RTS 002 PRIMARY
  - RTS 002 SECONDARY
  - RTS 003 (RUS 012) PRIMARY
  - RTS 003 (RUS 012) SECONDARY
  - RTS 007 (LOW LEVEL) PRIMARY
  - RPC 004 PEDESTRIAN HEAD
- TRAFFIC SIGNAL EQUIPMENT:**
- POLE (STANDARD HEIGHT)
  - TALL POLE (CCTV/TRAFFIC SIGNALS)
  - POLE NUMBER
  - PUSH BUTTON UNIT
  - PAN / TILT / ZOOM CCTV CAMERA
- GENERAL:**
- SITE BOUNDARY LINE
  - TEMPORARY LAND ACQUISITION



**Disclaimer**  
 a. © National Transport Authority (NTA) 2022. This drawing is confidential and the copyright in it is owned by NTA. This drawing must not be either loaned, copied or otherwise reproduced in whole or in part or used for any purpose without the prior permission of NTA.  
 b. This drawing is to be used for the design element identified in the titlebox. Other information shown is to be considered indicative only. The drawing is to be read in conjunction with all other relevant design drawings.  
 c. O.S. data used for plans are printed under © Ordnance Survey Ireland Government of Ireland. All rights reserved. Licence Number 2022/OSI\_NMA\_180 National Transport Authority. All elevations are in metres and relate to OSI Geoid Model (OSGM15) Mean Head. All Co-ordinates are in Irish

Transverse Mercator Grid (ITM) as defined by OSI active local GPS station.  
 d. Information concerning the position of apparatus shown on this drawing is based on drawings supplied by the utility owners and/or the utility works contractor, whilst every care has been taken in the preparation of this drawing, positions should be taken as approximate and are intended for general guidance only and no representation is made by the NTA as to the accuracy, completeness, sufficiency or otherwise of this drawing and the position of the apparatus. The information contained herein does not purport to be comprehensive or final as the apparatus is subject to being altered and/or superceded. Recipients should not rely on this information. Any liabilities are hereby expressly disclaimed.

e. The information contained herein has been provided by the NTA but does not purport to be comprehensive or final. Recipients should not rely on the information. Neither the NTA nor any of its directors, officers, employees, agents, stakeholders or advisers make any representation or warranty as to, or accept any liability or responsibility in relation to, the adequacy, accuracy, reasonableness or completeness of the information provided as part of this document or any matter on which the information is based (including but not limited to loss or damage arising as a result of reliance by recipients on the information or any part of it). Any liabilities are hereby expressly disclaimed.



Rev	Date	Drm	Chk'd	App'd	Description
M01	13/05/2022	DS	EE	SMG	ISSUE FOR PHASE 4 : PLANNING

Client: **NTA**  
Údarás Náisiúnta Iompair  
National Transport Authority

Engineering Designer: **FIROD**  
TYPSA

Date: 13/05/2022 Scale: 1:250 @ A1, 1:500 @ A3

Programme Code: BCIDD Originator Code: ROT

Drawn: DS Checked: EE Approved: SMG

QMS Code:

Programme Title: **BUSCONNECTS DUBLIN**  
**CORE BUS CORRIDORS INFRASTRUCTURE WORKS**

Drawing Title: BALLYMUN / FINGLAS TO CITY CENTRE CORE BUS CORRIDOR SCHEME  
JUNCTION SYSTEM DESIGN  
TOUCAN CROSSING

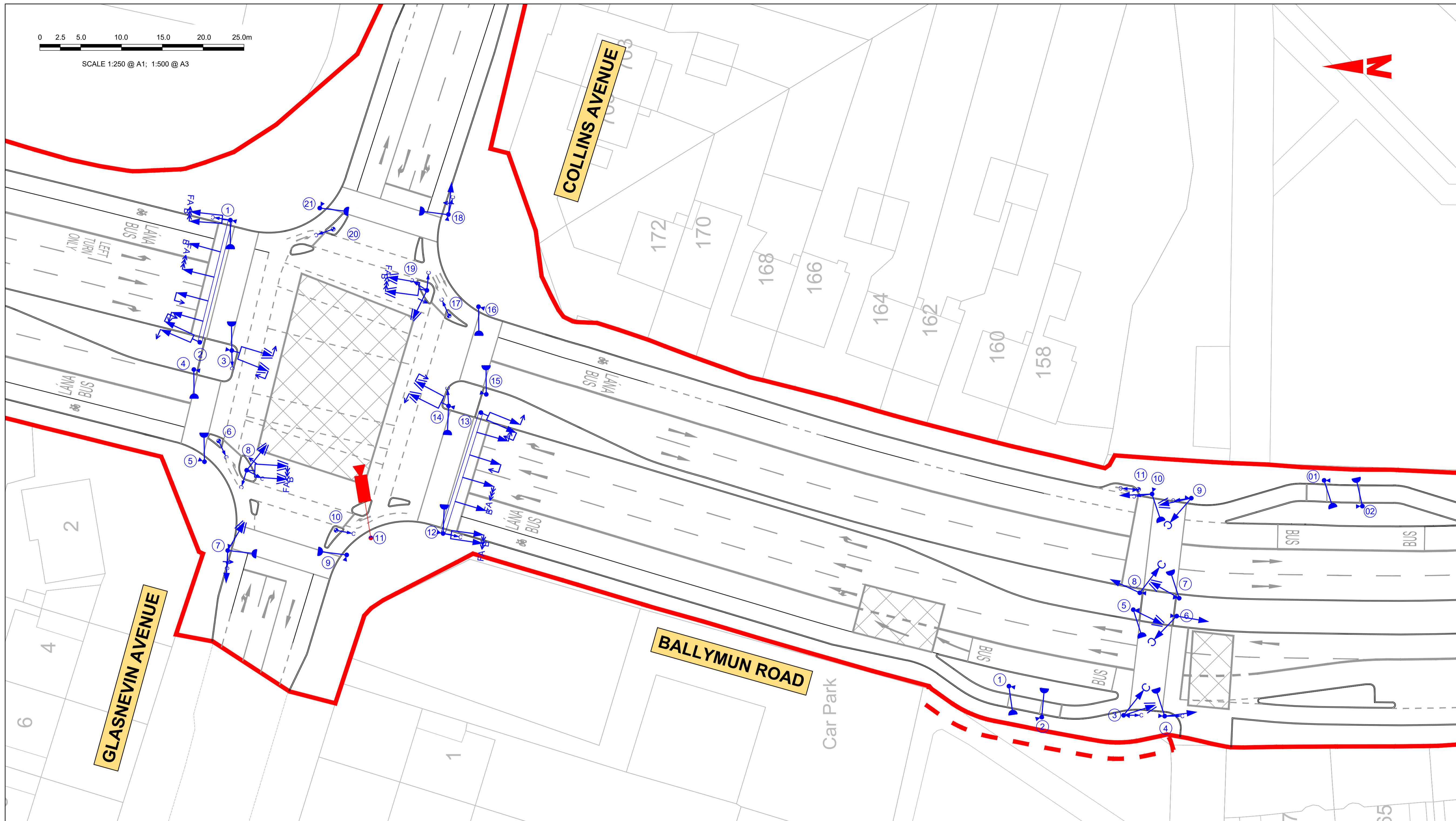
Drawing File Name: BCIDD-ROT-TSM\_SJ-0304\_XX\_00-DR-CR-0007

Sheet Number: 07 of 38 Status: A Rev: M01

DO NOT SCALE USE FIGURED DIMENSIONS ONLY

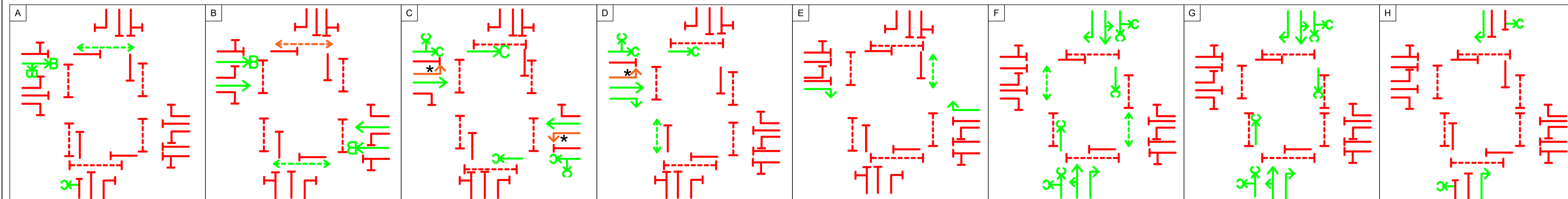


SCALE 1:250 @ A1; 1:500 @ A3



- LEGEND:**
- TRAFFIC SIGNAL HEADS:**
- RTS 001 PRIMARY
  - RTS 001 SECONDARY
  - RTS 002 PRIMARY
  - RTS 002 SECONDARY
  - RTS 003 (RUS 012) PRIMARY
  - RTS 003 (RUS 012) SECONDARY
  - RTS 007 (LOW LEVEL) PRIMARY
  - RPC 004 PEDESTRIAN HEAD
- TRAFFIC SIGNAL EQUIPMENT:**
- POLE (STANDARD HEIGHT)
  - TALL POLE (CCTV/TRAFFIC SIGNALS)
  - POLE NUMBER
  - PUSH BUTTON UNIT
  - PAN / TILT / ZOOM CCTV CAMERA
- GENERAL:**
- SITE BOUNDARY LINE
  - TEMPORARY LAND ACQUISITION

INDICATIVE METHOD OF CONTROL



\* DENOTES FLASHING AMBER

**Disclaimer**  
 a. © National Transport Authority (NTA) 2022. This drawing is confidential and the copyright in it is owned by NTA. This drawing must not be either loaned, copied or otherwise reproduced in whole or in part or used for any purpose without the prior permission of NTA.  
 b. This drawing is to be used for the design element identified in the titlebox. Other information shown is to be considered indicative only. The drawing is to be read in conjunction with all other relevant design drawings.  
 c. O.S. data used for plans are printed under © Ordnance Survey Ireland Government of Ireland. All rights reserved. Licence Number 2022/OSI\_NMA\_180 National Transport Authority. All elevations are in metres and relate to OSI Geoid Model (OSGM15) Mean Head. All Co-ordinates are in Irish

Transverse Mercator Grid (ITM) as defined by OSI active local GPS station.  
 d. Information concerning the position of apparatus shown on this drawing is based on drawings supplied by the utility owners and/or the utility works contractor, whilst every care has been taken in the preparation of this drawing, positions should be taken as approximate and are intended for general guidance only and no representation is made by the NTA as to the accuracy, completeness, sufficiency or otherwise of this drawing and the position of the apparatus. The information contained herein does not purport to be comprehensive or final as the apparatus is subject to being altered and/or superceded. Recipients should not rely on this information. Any liabilities are hereby expressly disclaimed.

e. The information contained herein has been provided by the NTA but does not purport to be comprehensive or final. Recipients should not rely on the information. Neither the NTA nor any of its directors, officers, employees, agents, stakeholders or advisers make any representation or warranty as to, or accept any liability or responsibility in relation to, the adequacy, accuracy, reasonableness or completeness of the information provided as part of this document or any matter on which the information is based (including but not limited to loss or damage arising as a result of reliance by recipients on the information or any part of it). Any liabilities are hereby expressly disclaimed.



Rev	Date	Drn	Chk'd	App'd	Description
M01	13/05/2022	DS	EE	SMG	ISSUE FOR PHASE 4 : PLANNING

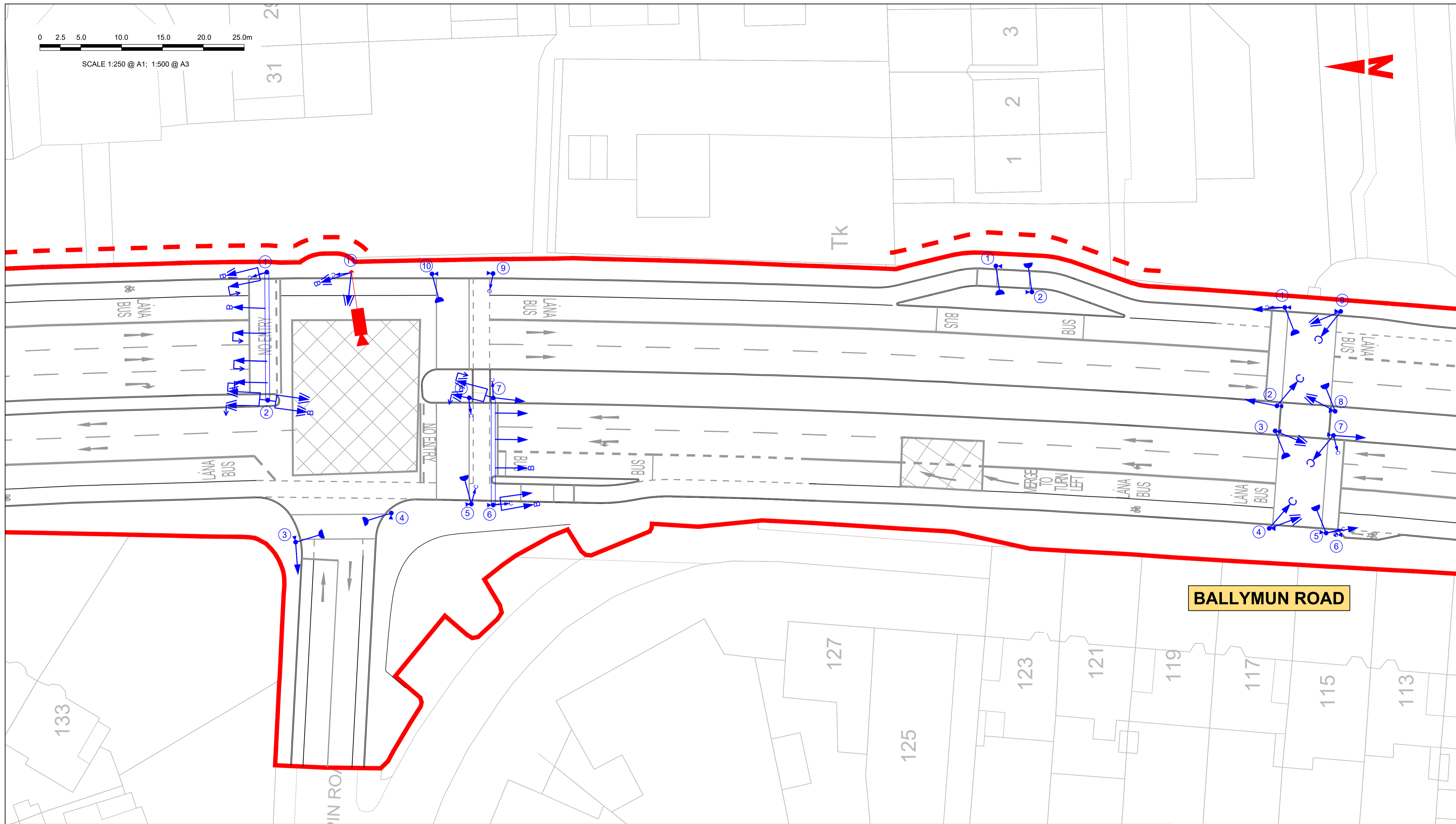
Client  
**NTA**  
 Údarás Náisiúnta Iompair  
 National Transport Authority

Engineering Designer  
**PROD**  
 TYPSA

Programme Title <b>BUSCONNECTS DUBLIN CORE BUS CORRIDORS INFRASTRUCTURE WORKS</b>			
Drawing Title BALLYMUN / FINGLAS TO CITY CENTRE CORE BUS CORRIDOR SCHEME JUNCTION SYSTEM DESIGN COLLINS AVENUE EXT / BALLYMUN ROAD			
Drawing File Name BCIDD-ROT-TSM_SJ-0304_XX_00-DR-CR-0008	Sheet Number 08 of 38	Status A	Rev M01

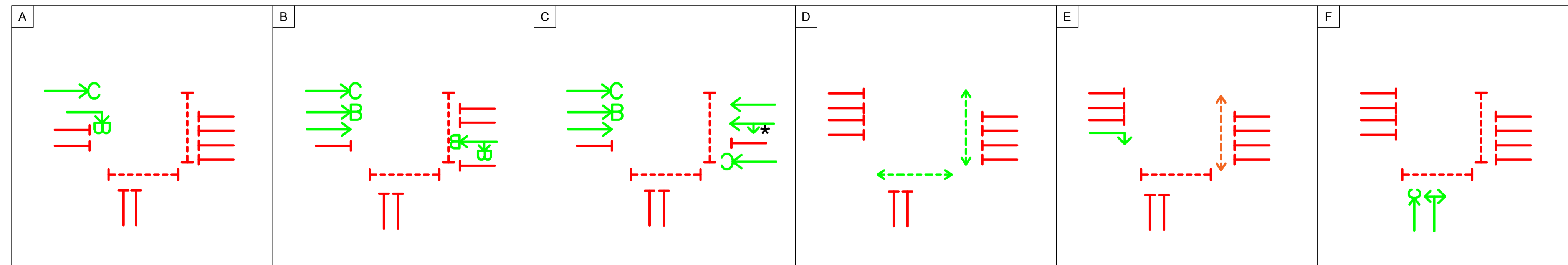


SCALE 1:250 @ A1; 1:500 @ A3



- LEGEND:**
- TRAFFIC SIGNAL HEADS:**
- RTS 001 PRIMARY
  - RTS 001 SECONDARY
  - RTS 002 PRIMARY
  - RTS 002 SECONDARY
  - RTS 003 (RUS 012) PRIMARY
  - RTS 003 (RUS 012) SECONDARY
  - RTS 007 (LOW LEVEL) PRIMARY
  - RPC 004 PEDESTRIAN HEAD
- TRAFFIC SIGNAL EQUIPMENT:**
- POLE (STANDARD HEIGHT)
  - TALL POLE (CCTV/TRAFFIC SIGNALS)
  - POLE NUMBER
  - PUSH BUTTON UNIT
  - PAN / TILT / ZOOM CCTV CAMERA
- GENERAL:**
- SITE BOUNDARY LINE
  - TEMPORARY LAND ACQUISITION

**INDICATIVE METHOD OF CONTROL**



**Disclaimer**  
 a. © National Transport Authority (NTA) 2022. This drawing is confidential and the copyright in it is owned by NTA. This drawing must not be either loaned, copied or otherwise reproduced in whole or in part or used for any purpose without the prior permission of NTA.  
 b. This drawing is to be used for the design element identified in the titlebox. Other information shown is to be considered indicative only. The drawing is to be read in conjunction with all other relevant design drawings.  
 c. O.S. data used for plans are printed under © Ordnance Survey Ireland Government of Ireland. All rights reserved. Licence Number 2022/OSI\_NMA\_180 National Transport Authority. All elevations are in metres and relate to OSI Geoid Model (OSGM15) Mean Head. All Co-ordinates are in Irish

Transverse Mercator Grid (ITM) as defined by OSI active local GPS station.  
 d. Information concerning the position of apparatus shown on this drawing is based on drawings supplied by the utility owners and/or the utility works contractor, whilst every care has been taken in the preparation of this drawing, positions should be taken as approximate and are intended for general guidance only and no representation is made by the NTA as to the accuracy, completeness, sufficiency or otherwise of this drawing and the position of the apparatus. The information contained herein does not purport to be comprehensive or final as the apparatus is subject to being altered and/or superceded. Recipients should not rely on this information. Any liabilities are hereby expressly disclaimed.

e. The information contained herein has been provided by the NTA but does not purport to be comprehensive or final. Recipients should not rely on the information. Neither the NTA nor any of its directors, officers, employees, agents, stakeholders or advisers make any representation or warranty as to, or accept any liability or responsibility in relation to, the adequacy, accuracy, reasonableness or completeness of the information provided as part of this document or any matter on which the information is based (including but not limited to loss or damage arising as a result of reliance by recipients on the information or any part of it). Any liabilities are hereby expressly disclaimed.



Rev	Date	Drm	Chk'd	App'd	Description
M01	13/05/2022	DS	EE	SMG	ISSUE FOR PHASE 4 : PLANNING

Client  
**NTA**  
 Údarás Náisiúnta Iompair  
 National Transport Authority

Date: 13/05/2022  
 Scale: 1:250 @ A1, 1:500 @ A3

Programme Code: BCIDD  
 Originator Code: ROT

Engineering Designer  
**PROD**  
 TYPSA

Drawn: DS  
 Checked: EE  
 Approved: SMG

QMS Code

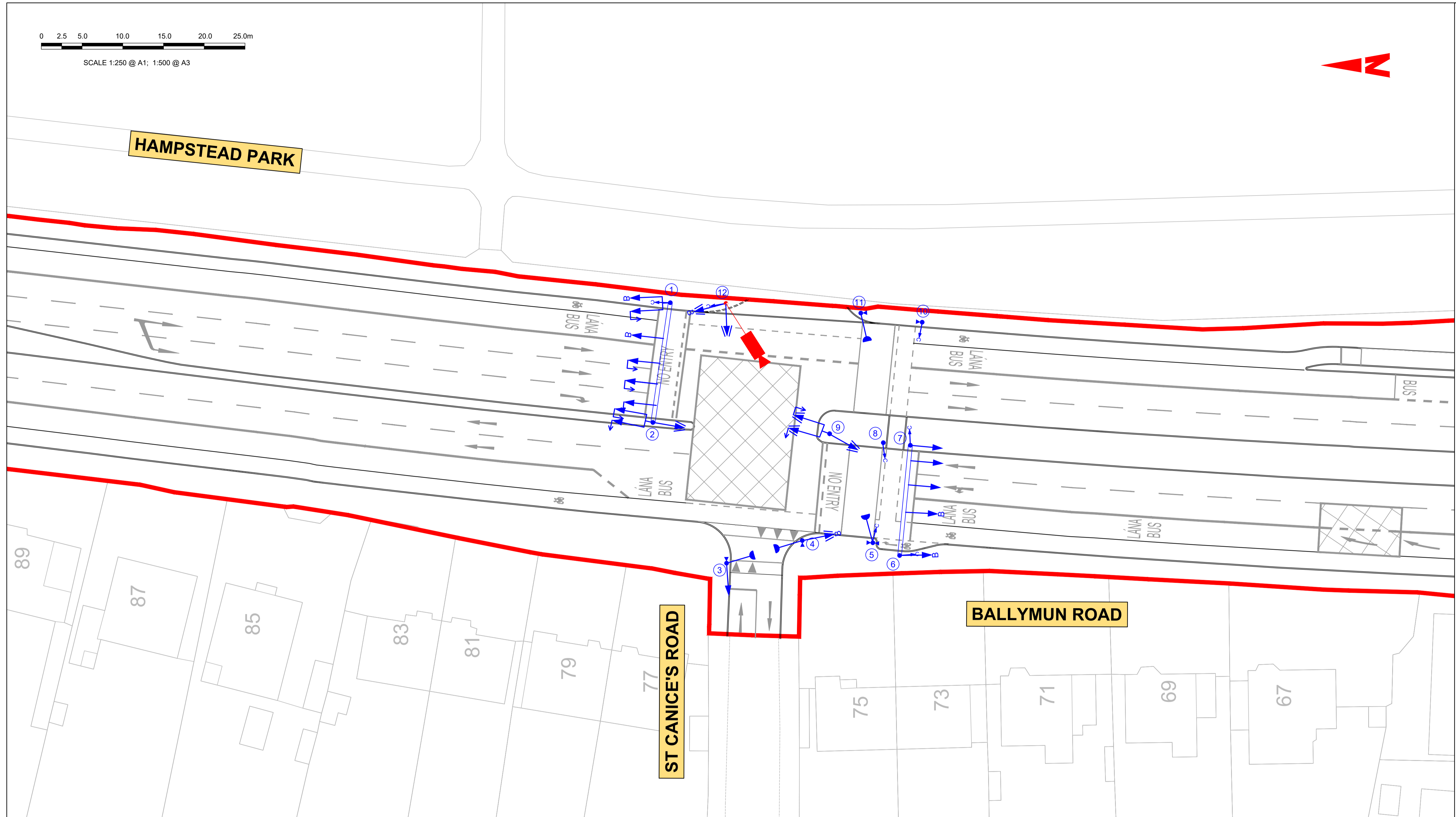
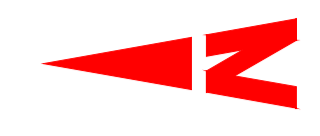
Programme Title  
**BUSCONNECTS DUBLIN**  
**CORE BUS CORRIDORS INFRASTRUCTURE WORKS**

Drawing Title  
 BALLYMUN / FINGLAS TO CITY CENTRE CORE BUS CORRIDOR SCHEME  
 JUNCTION SYSTEM DESIGN  
 ST. PAPPIN ROAD / BALLYMUN ROAD

Drawing File Name: BCIDD-ROT-TSM\_SJ-0304\_XX\_00-DR-CR-0009  
 Sheet Number: 09 of 38  
 Status: A  
 Rev: M01

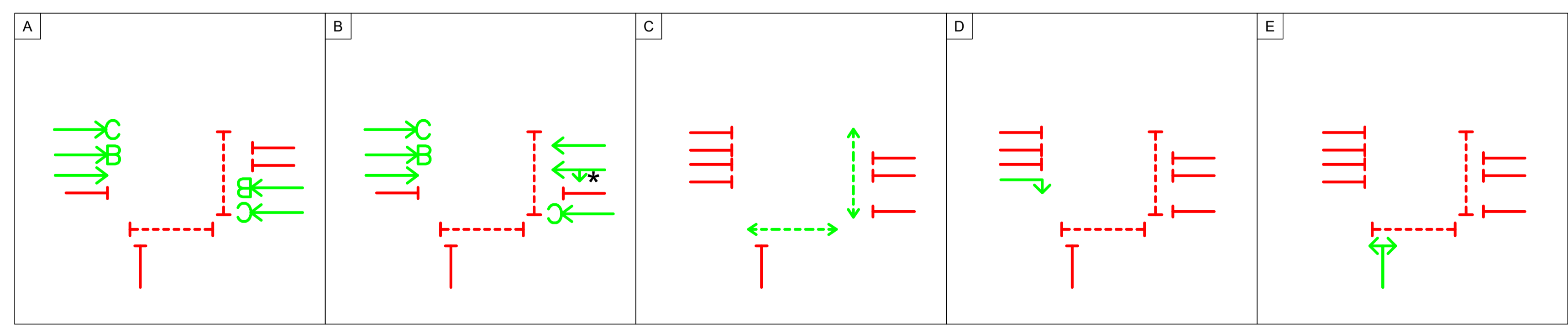


SCALE 1:250 @ A1; 1:500 @ A3



- LEGEND:**
- TRAFFIC SIGNAL HEADS:**
- RTS 001 PRIMARY
  - RTS 001 SECONDARY
  - RTS 002 PRIMARY
  - RTS 002 SECONDARY
  - RTS 003 (RUS 012) PRIMARY
  - RTS 003 (RUS 012) SECONDARY
  - RTS 007 (LOW LEVEL) PRIMARY
  - RPC 004 PEDESTRIAN HEAD
- TRAFFIC SIGNAL EQUIPMENT:**
- POLE (STANDARD HEIGHT)
  - TALL POLE (CCTV/TRAFFIC SIGNALS)
  - POLE NUMBER
  - PUSH BUTTON UNIT
  - PAN / TILT / ZOOM CCTV CAMERA
- GENERAL:**
- SITE BOUNDARY LINE
  - TEMPORARY LAND ACQUISITION

**INDICATIVE METHOD OF CONTROL**



**Disclaimer**  
 a. © National Transport Authority (NTA) 2022. This drawing is confidential and the copyright in it is owned by NTA. This drawing must not be either loaned, copied or otherwise reproduced in whole or in part or used for any purpose without the prior permission of NTA.  
 b. This drawing is to be used for the design element identified in the titlebox. Other information shown is to be considered indicative only. The drawing is to be read in conjunction with all other relevant design drawings.  
 c. O.S. data used for plans are printed under © Ordnance Survey Ireland Government of Ireland. All rights reserved. Licence Number 2022/OSI\_NMA\_180 National Transport Authority. All elevations are in metres and relate to OSI Geoid Model (OSGM15) Mean Head. All Co-ordinates are in Irish

Transverse Mercator Grid (ITM) as defined by OSI active local GPS station.  
 Information concerning the position of apparatus shown on this drawing is based on drawings supplied by the utility owners and/or the utility works contractor, whilst every care has been taken in the preparation of this drawing, positions should be taken as approximate and are intended for general guidance only and no representation is made by the NTA as to the accuracy, completeness, sufficiency or otherwise of this drawing and the position of the apparatus. The information contained herein does not purport to be comprehensive or final as the apparatus is subject to being altered and/or superceded. Recipients should not rely on this information. Any liabilities are hereby expressly disclaimed.

The information contained herein has been provided by the NTA but does not purport to be comprehensive or final. Recipients should not rely on the information. Neither the NTA nor any of its directors, officers, employees, agents, stakeholders or advisers make any representation or warranty as to, or accept any liability or responsibility in relation to, the adequacy, accuracy, reasonableness or completeness of the information provided as part of this document or any matter on which the information is based (including but not limited to loss or damage arising as a result of reliance by recipients on the information or any part of it). Any liabilities are hereby expressly disclaimed.



Rev	Date	Drm	Chk'd	App'd	Description
M01	13/05/2022	DS	EE	SMG	ISSUE FOR PHASE 4 : PLANNING

Client: **NTA** Údarás Náisiúnta Iompair National Transport Authority

Engineering Designer: **FIROD** TYPSA

Date: 13/05/2022 Scale: 1:250 @ A1, 1:500 @ A3

Drawn: DS Checked: EE Approved: SMG

Programme Code: BCIDD Originator Code: ROT QMS Code:

Programme Title: **BUSCONNECTS DUBLIN CORE BUS CORRIDORS INFRASTRUCTURE WORKS**

Drawing Title: **BALLYMUN / FINGLAS TO CITY CENTRE CORE BUS CORRIDOR SCHEME JUNCTION SYSTEM DESIGN ST. CANICES ROAD / BALLYMUN ROAD**

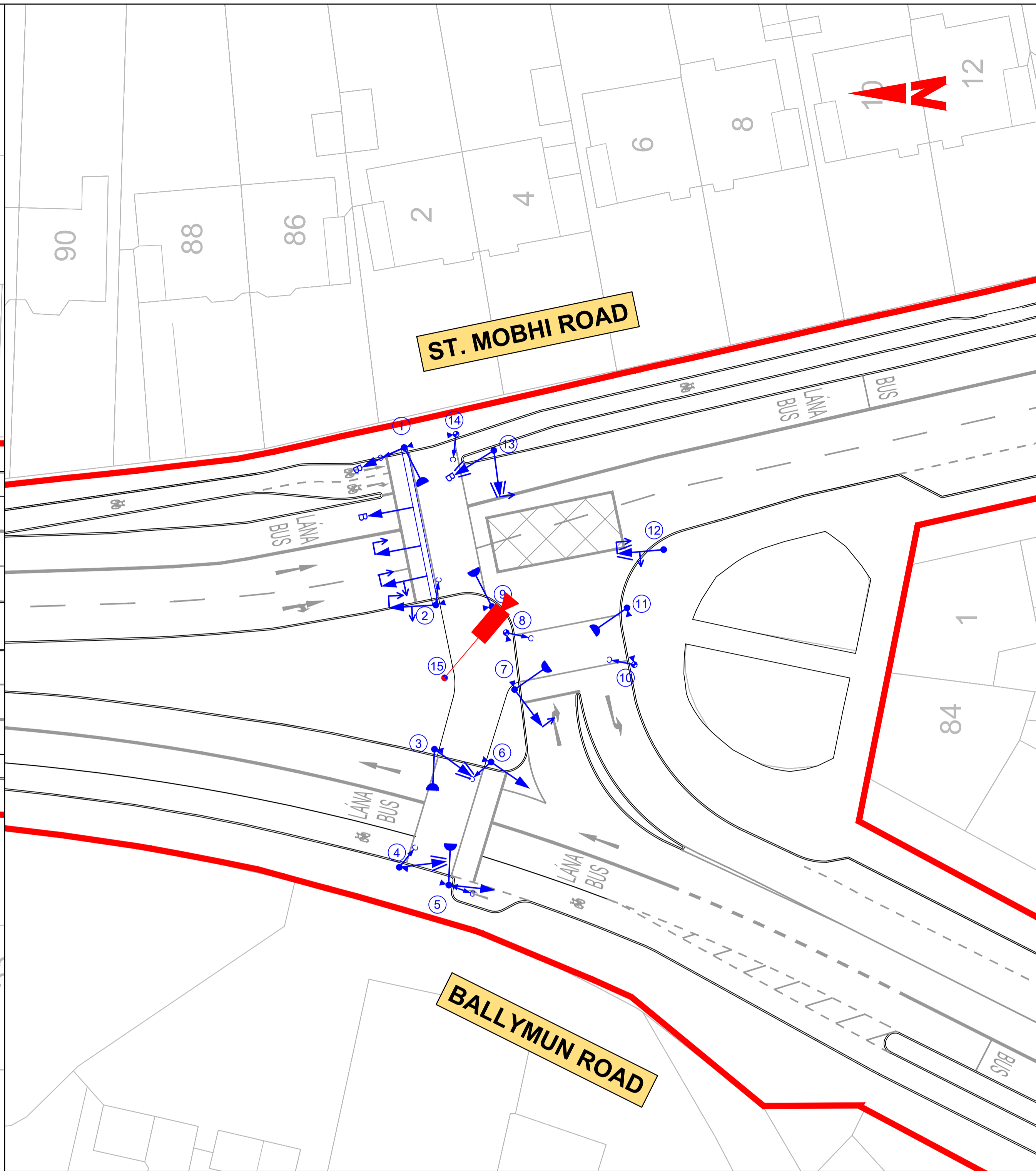
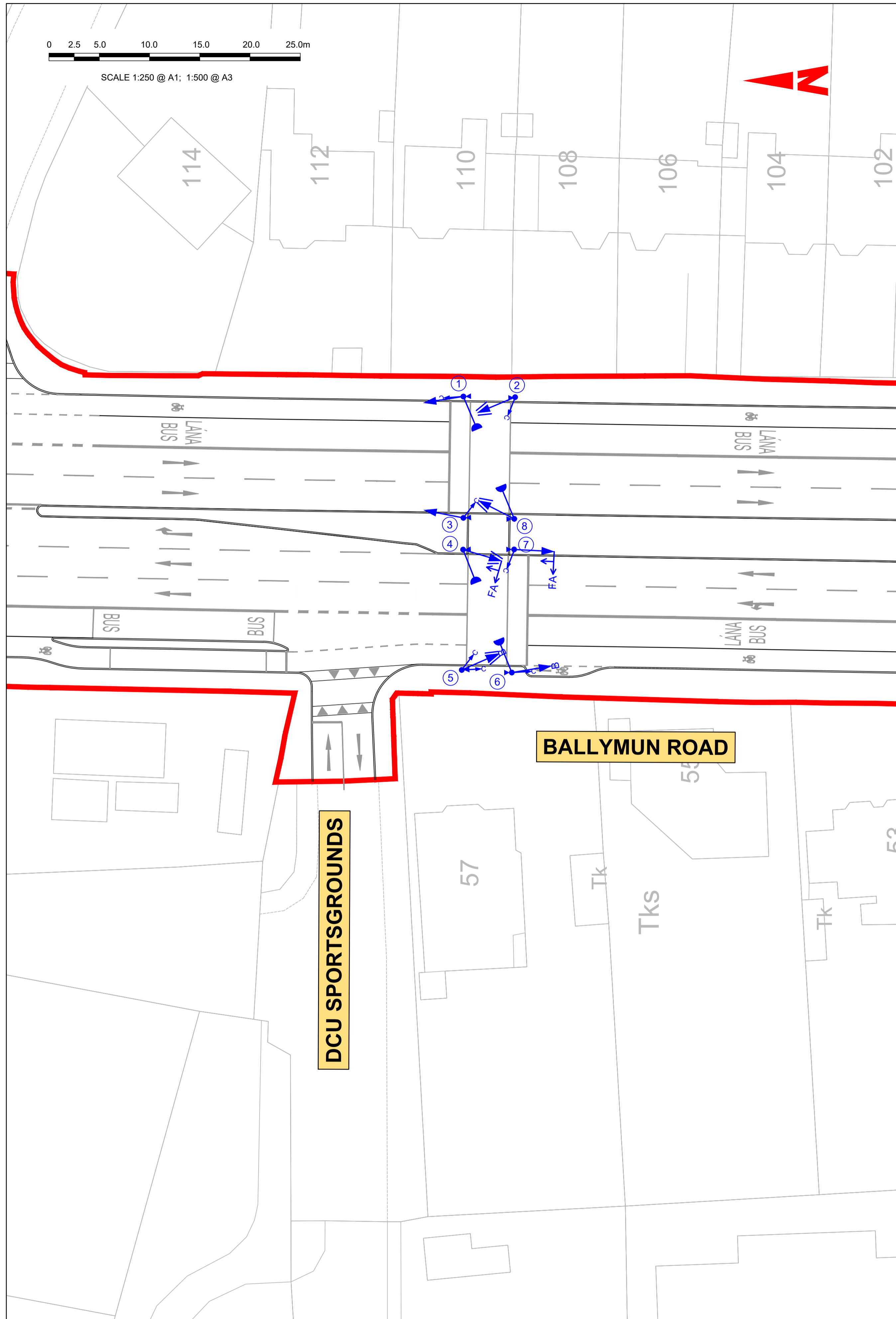
Drawing File Name: BCIDD-ROT-TSM\_SJ-0304\_XX\_00-DR-CR-0010

Sheet Number: 10 of 38 Status: A Rev: M01

DO NOT SCALE USE FIGURED DIMENSIONS ONLY

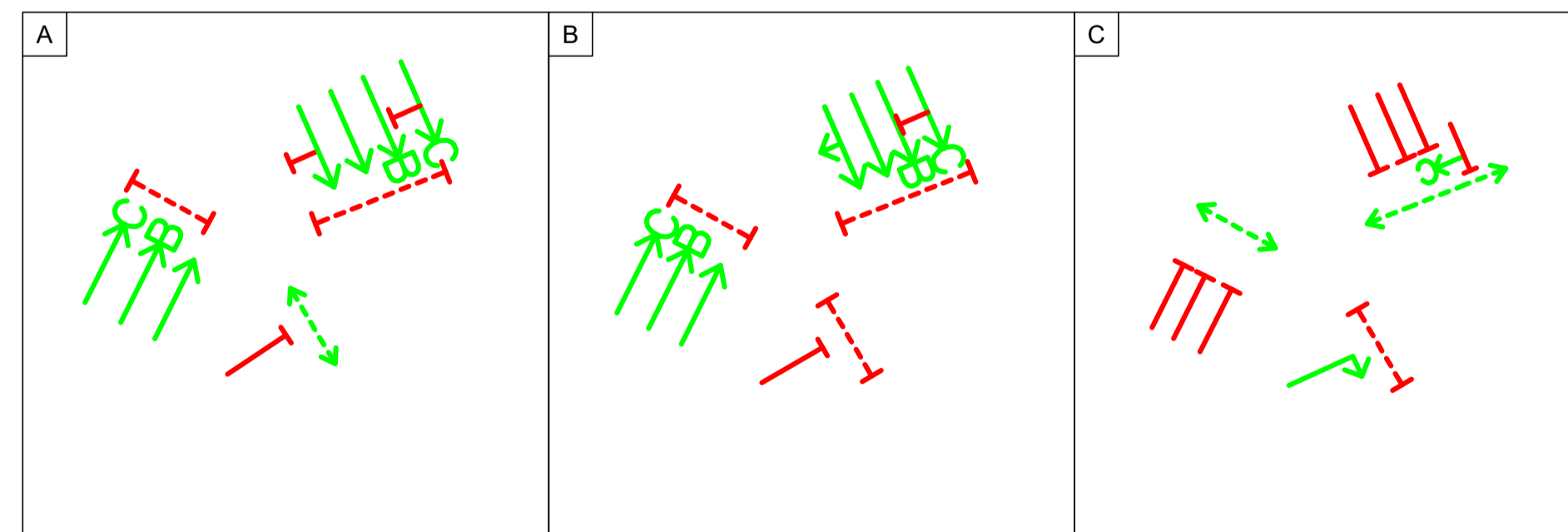


SCALE 1:250 @ A1; 1:500 @ A3



- LEGEND:**
- TRAFFIC SIGNAL HEADS:**
    - RTS 001 PRIMARY
    - RTS 001 SECONDARY
    - RTS 002 PRIMARY
    - RTS 002 SECONDARY
    - RTS 003 (RUS 012) PRIMARY
    - RTS 003 (RUS 012) SECONDARY
    - RTS 007 (LOW LEVEL) PRIMARY
    - RPC 004 PEDESTRIAN HEAD
  - TRAFFIC SIGNAL EQUIPMENT:**
    - POLE (STANDARD HEIGHT)
    - TALL POLE (CCTV/TRAFFIC SIGNALS)
    - POLE NUMBER
    - PUSH BUTTON UNIT
    - PAN / TILT / ZOOM CCTV CAMERA
  - GENERAL:**
    - SITE BOUNDARY LINE
    - TEMPORARY LAND ACQUISITION

INDICATIVE METHOD OF CONTROL



**Disclaimer**  
 a. © National Transport Authority (NTA) 2022. This drawing is confidential and the copyright in it is owned by NTA. This drawing must not be either loaned, copied or otherwise reproduced in whole or in part or used for any purpose without the prior permission of NTA.  
 b. This drawing is to be used for the design element identified in the titlebox. Other information shown is to be considered indicative only. The drawing is to be read in conjunction with all other relevant design drawings.  
 c. O.S. data used for plans are printed under © Ordnance Survey Ireland Government of Ireland. All rights reserved. Licence Number 2022/OSI\_NMA\_180 National Transport Authority. All elevations are in metres and relate to OSI Geoid Model (OSGM15) Mean Head. All Co-ordinates are in Irish

Transverse Mercator Grid (ITM) as defined by OSI active local GPS station.  
 d. Information concerning the position of apparatus shown on this drawing is based on drawings supplied by the utility owners and/or the utility works contractor, whilst every care has been taken in the preparation of this drawing, positions should be taken as approximate and are intended for general guidance only and no representation is made by the NTA as to the accuracy, completeness, sufficiency or otherwise of this drawing and the position of the apparatus. The information contained herein does not purport to be comprehensive or final as the apparatus is subject to being altered and/or superceded. Recipients should not rely on this information. Any liabilities are hereby expressly disclaimed.

e. The information contained herein has been provided by the NTA but does not purport to be comprehensive or final. Recipients should not rely on the information. Neither the NTA nor any of its directors, officers, employees, agents, stakeholders or advisers make any representation or warranty as to, or accept any liability or responsibility in relation to, the adequacy, accuracy, reasonableness or completeness of the information provided as part of this document or any matter on which the information is based (including but not limited to loss or damage arising as a result of reliance by recipients on the information or any part of it). Any liabilities are hereby expressly disclaimed.



Rev	Date	Drm	Chk'd	App'd	Description
M01	13/05/2022	DS	EE	SMG	ISSUE FOR PHASE 4 : PLANNING

Client: **NTA**  
 Údarás Náisiúnta Iompair  
 National Transport Authority

Engineering Designer: **FIROD**  
 TYPSA

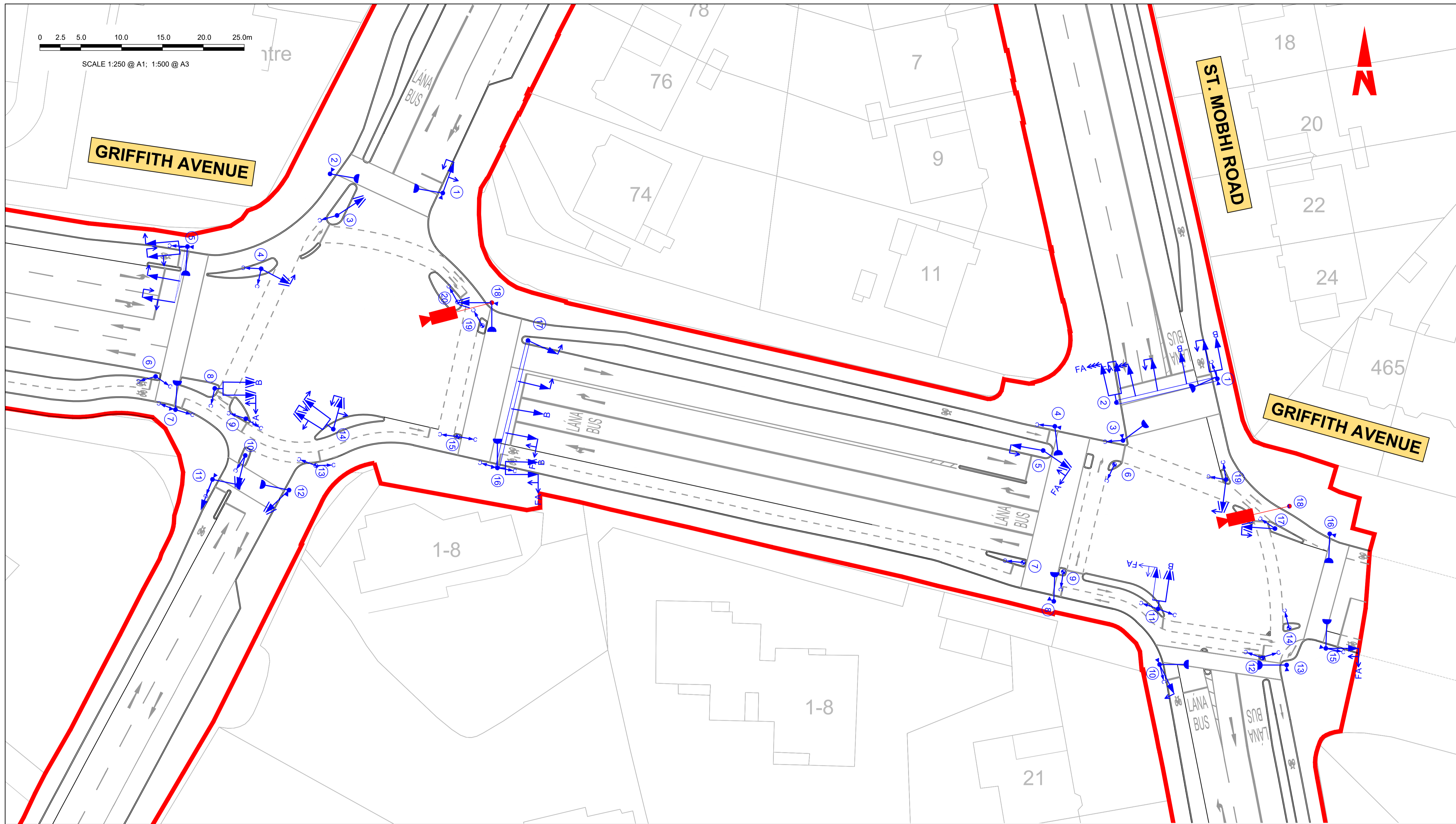
Date: 13/05/2022 | Scale: 1:250 @ A1, 1:500 @ A3 | Drawn: DS | Checked: EE | Approved: SMG

Programme Code: BCIDD | Originator Code: ROT | QMS Code:

Programme Title: **BUSCONNECTS DUBLIN**  
**CORE BUS CORRIDORS INFRASTRUCTURE WORKS**

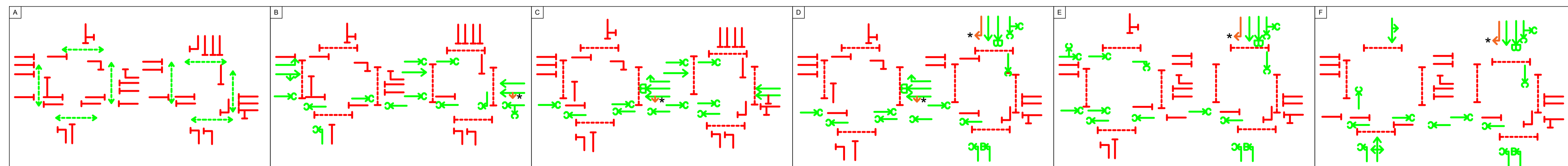
Drawing Title: BALLYMUN / FINGLAS TO CITY CENTRE CORE BUS CORRIDOR SCHEME  
 JUNCTION SYSTEM DESIGN  
 TOUCAN CROSSING & GRIFFITH AVENUE GYRATORY

Drawing File Name: BCIDD-ROT-TSM\_SJ-0304\_XX\_00-DR-CR-0011 | Sheet Number: 11 of 38 | Status: A | Rev: M01



- LEGEND:**
- TRAFFIC SIGNAL HEADS:**
- RTS 001 PRIMARY
  - RTS 001 SECONDARY
  - RTS 002 PRIMARY
  - RTS 002 SECONDARY
  - RTS 003 (RUS 012) PRIMARY
  - RTS 003 (RUS 012) SECONDARY
  - RTS 007 (LOW LEVEL) PRIMARY
  - RPC 004 PEDESTRIAN HEAD
- TRAFFIC SIGNAL EQUIPMENT:**
- POLE (STANDARD HEIGHT)
  - TALL POLE (CCTV/TRAFFIC SIGNALS)
  - POLE NUMBER
  - PUSH BUTTON UNIT
  - PAN / TILT / ZOOM CCTV CAMERA
- GENERAL:**
- SITE BOUNDARY LINE
  - TEMPORARY LAND ACQUISITION

**INDICATIVE METHOD OF CONTROL**



**Disclaimer**  
 a. © National Transport Authority (NTA) 2022. This drawing is confidential and the copyright in it is owned by NTA. This drawing must not be either loaned, copied or otherwise reproduced in whole or in part or used for any purpose without the prior permission of NTA.  
 b. This drawing is to be used for the design element identified in the titlebox. Other information shown is to be considered indicative only. The drawing is to be read in conjunction with all other relevant design drawings.  
 c. O.S. data used for plans are printed under © Ordnance Survey Ireland Government of Ireland. All rights reserved. Licence Number 2022/OSI\_NMA\_180 National Transport Authority. All elevations are in metres and relate to OSI Geoid Model (OSGM15) Mean Head. All Co-ordinates are in Irish

Transverse Mercator Grid (ITM) as defined by OSI active local GPS station.  
 Information concerning the position of apparatus shown on this drawing is based on drawings supplied by the utility owners and/or the utility works contractor, whilst every care has been taken in the preparation of this drawing, positions should be taken as approximate and are intended for general guidance only and no representation is made by the NTA as to the accuracy, completeness, sufficiency or otherwise of this drawing and the position of the apparatus. The information contained herein does not purport to be comprehensive or final as the apparatus is subject to being altered and/or superceded. Recipients should not rely on this information. Any liabilities are hereby expressly disclaimed.

The information contained herein has been provided by the NTA but does not purport to be comprehensive or final. Recipients should not rely on the information. Neither the NTA nor any of its directors, officers, employees, agents, stakeholders or advisers make any representation or warranty as to, or accept any liability or responsibility in relation to, the adequacy, accuracy, reasonableness or completeness of the information provided as part of this document or any matter on which the information is based (including but not limited to loss or damage arising as a result of reliance by recipients on the information or any part of it). Any liabilities are hereby expressly disclaimed.



Rev	Date	Drm	Chk'd	App'd	Description
M01	13/05/2022	DS	EE	SMG	ISSUE FOR PHASE 4 : PLANNING

Client  
**NTA**  
 Údarás Náisiúnta Iompair  
 National Transport Authority

Engineering Designer  
**PROD**  
 TYPSA

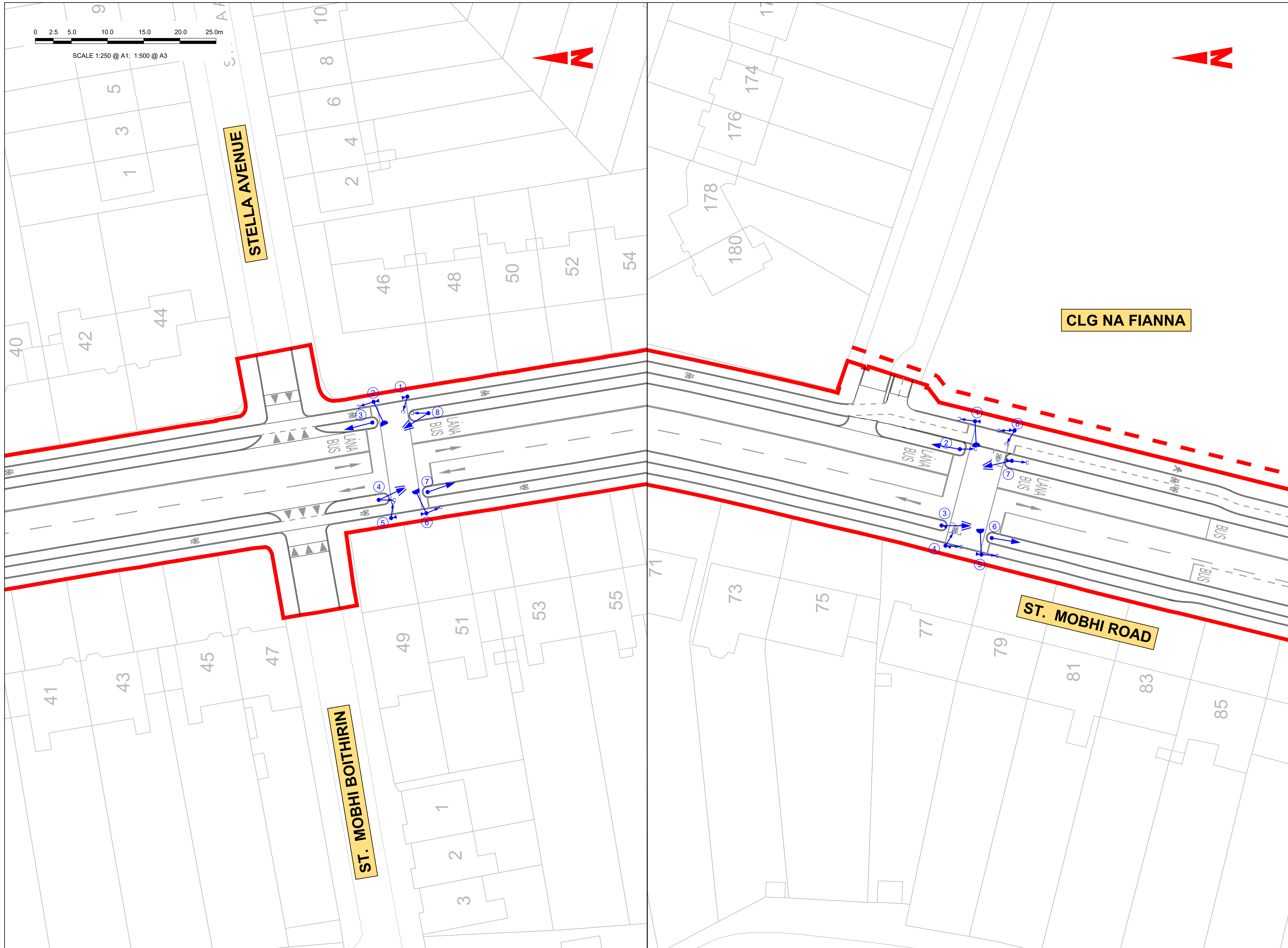
Programme Title  
**BUSCONNECTS DUBLIN**  
**CORE BUS CORRIDORS INFRASTRUCTURE WORKS**

Drawing Title  
 BALLYMUN / FINGLAS TO CITY CENTRE CORE BUS CORRIDOR SCHEME  
 JUNCTION SYSTEM DESIGN  
 GRIFFITH AVENUE / ST. MOBHI

Date: 13/05/2022  
 Scale: 1:250 @ A1, 1:500 @ A3  
 Drawn: DS, Checked: EE, Approved: SMG

Programme Code: BCIDD, Originator Code: ROT, QMS Code: [blank]

Drawing File Name: BCIDD-ROT-TSM\_SJ-0304\_XX\_00-DR-CR-0012, Sheet Number: 12 of 38, Status: A, Rev: M01



SCALE 1:250 @ A1; 1:500 @ A3

- LEGEND:**
- TRAFFIC SIGNAL HEADS:**
- RTS 001 PRIMARY
  - RTS 001 SECONDARY
  - RTS 002 PRIMARY
  - RTS 002 SECONDARY
  - RTS 003 (RUS 012) PRIMARY
  - RTS 003 (RUS 012) SECONDARY
  - RTS 007 (LOW LEVEL) PRIMARY
  - RPC 004 PEDESTRIAN HEAD
- TRAFFIC SIGNAL EQUIPMENT:**
- POLE (STANDARD HEIGHT)
  - TALL POLE (CCTV/TRAFFIC SIGNALS)
  - POLE NUMBER
  - PUSH BUTTON UNIT
  - PAN / TILT / ZOOM CCTV CAMERA
- GENERAL:**
- SITE BOUNDARY LINE
  - TEMPORARY LAND ACQUISITION

**Disclaimer**

a. © National Transport Authority (NTA) 2022. This drawing is confidential and the copyright in it is owned by NTA. This drawing must not be either loaned, copied or otherwise reproduced in whole or in part or used for any purpose without the prior permission of NTA.

b. This drawing is to be used for the design element identified in the titlebox. Other information shown is to be considered indicative only. The drawing is to be read in conjunction with all other relevant design drawings.

c. O.S. data used for plans are printed under © Ordnance Survey Ireland Government of Ireland. All rights reserved. Licence Number 2022/OSI\_NMA\_180 National Transport Authority. All elevations are in metres and relate to OSI Geoid Model (OSGM15) Mean Head. All Co-ordinates are in Irish

Transverse Mercator Grid (ITM) as defined by OSI active local GPS station.

d. Information concerning the position of apparatus shown on this drawing is based on drawings supplied by the utility owners and/or the utility works contractor, whilst every care has been taken in the preparation of this drawing, positions should be taken as approximate and are intended for general guidance only and no representation is made by the NTA as to the accuracy, completeness, sufficiency or otherwise of this drawing and the position of the apparatus. The information contained herein does not purport to be comprehensive or final as the apparatus is subject to being altered and/or superceded. Recipients should not rely on this information. Any liabilities are hereby expressly disclaimed.

e. The information contained herein has been provided by the NTA but does not purport to be comprehensive or final. Recipients should not rely on the information. Neither the NTA nor any of its directors, officers, employees, agents, stakeholders or advisers make any representation or warranty as to, or accept any liability or responsibility in relation to, the adequacy, accuracy, reasonableness or completeness of the information provided as part of this document or any matter on which the information is based (including but not limited to loss or damage arising as a result of reliance by recipients on the information or any part of it). Any liabilities are hereby expressly disclaimed.

Rev	Date	Drm	Chk'd	App'd	Description
M01	13/05/2022	DS	EE	SMG	ISSUE FOR PHASE 4 : PLANNING

Client: **NTA**  
Údarás Náisiúnta Iompair  
National Transport Authority

Engineering Designer: **PROD**  
TYPSA

Date: 13/05/2022 Scale: 1:250 @ A1, 1:500 @ A3

Drawn: DS Checked: EE Approved: SMG

Programme Code: BCIDD Originator Code: ROT QMS Code:

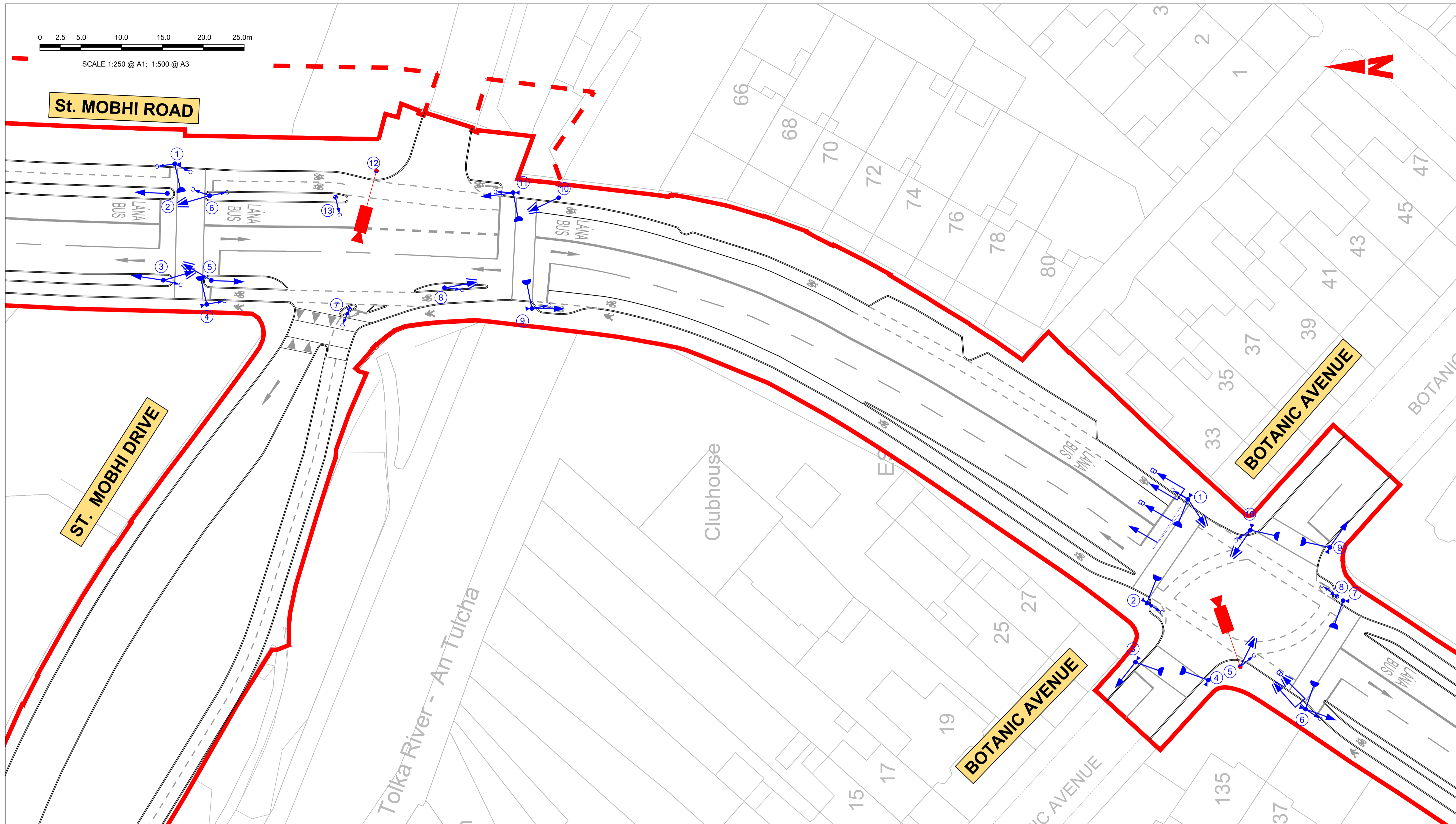
Programme Title: **BUSCONNECTS DUBLIN CORE BUS CORRIDORS INFRASTRUCTURE WORKS**

Drawing Title: **BALLYMUN / FINGLAS TO CITY CENTRE CORE BUS CORRIDOR SCHEME JUNCTION SYSTEM DESIGN TOUCAN CROSSINGS**

Drawing File Name: BCIDD-ROT-TSM\_SJ-0304\_XX\_00-DR-CR-0013 Sheet Number: 13 of 38 Status: A Rev: M01

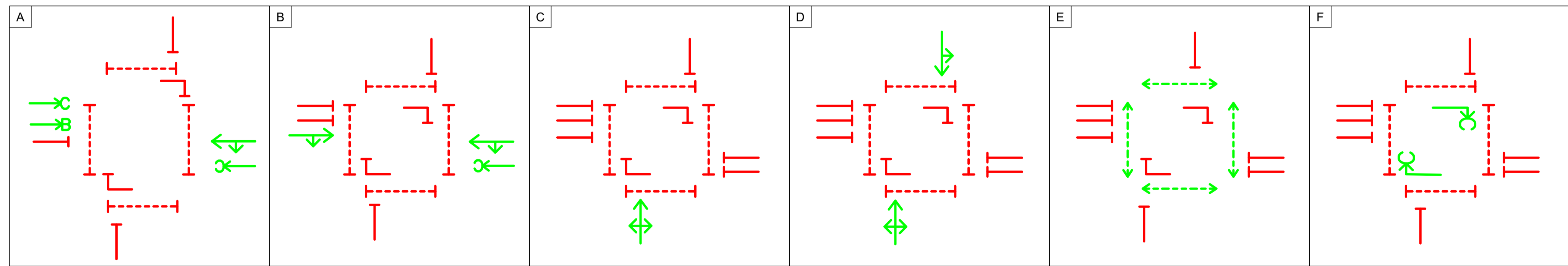
DO NOT SCALE USE FIGURED DIMENSIONS ONLY





- LEGEND:**
- TRAFFIC SIGNAL HEADS:**
- RTS 001 PRIMARY
  - RTS 001 SECONDARY
  - RTS 002 PRIMARY
  - RTS 002 SECONDARY
  - RTS 003 (RUS 012) PRIMARY
  - RTS 003 (RUS 012) SECONDARY
  - RTS 007 (LOW LEVEL) PRIMARY
  - RPC 004 PEDESTRIAN HEAD
- TRAFFIC SIGNAL EQUIPMENT:**
- POLE (STANDARD HEIGHT)
  - TALL POLE (CCTV/TRAFFIC SIGNALS)
  - POLE NUMBER
  - PUSH BUTTON UNIT
  - PAN / TILT / ZOOM CCTV CAMERA
- GENERAL:**
- SITE BOUNDARY LINE
  - TEMPORARY LAND ACQUISITION

INDICATIVE METHOD OF CONTROL - BOTANIC AVENUE / ST MOBHI RD JUNCTION



**Disclaimer**  
 a. © National Transport Authority (NTA) 2022. This drawing is confidential and the copyright in it is owned by NTA. This drawing must not be either loaned, copied or otherwise reproduced in whole or in part or used for any purpose without the prior permission of NTA.  
 b. This drawing is to be used for the design element identified in the titlebox. Other information shown is to be considered indicative only. The drawing is to be read in conjunction with all other relevant design drawings.  
 c. O.S. data used for plans are printed under © Ordnance Survey Ireland Government of Ireland. All rights reserved. Licence Number 2022/OSI\_NMA\_180 National Transport Authority. All elevations are in metres and relate to OSI Geoid Model (OSGM15) Malin Head. All Co-ordinates are in Irish

Transverse Mercator Grid (ITM) as defined by OSI active local GPS station.  
 d. Information concerning the position of apparatus shown on this drawing is based on drawings supplied by the utility owners and/or the utility works contractor, whilst every care has been taken in the preparation of this drawing, positions should be taken as approximate and are intended for general guidance only and no representation is made by the NTA as to the accuracy, completeness, sufficiency or otherwise of this drawing and the position of the apparatus. The information contained herein does not purport to be comprehensive or final as the apparatus is subject to being altered and/or superceded. Recipients should not rely on this information. Any liabilities are hereby expressly disclaimed.

e. The information contained herein has been provided by the NTA but does not purport to be comprehensive or final. Recipients should not rely on the information. Neither the NTA nor any of its directors, officers, employees, agents, stakeholders or advisers make any representation or warranty as to, or accept any liability or responsibility in relation to, the adequacy, accuracy, reasonableness or completeness of the information provided as part of this document or any matter on which the information is based (including but not limited to loss or damage arising as a result of reliance by recipients on the information or any part of it). Any liabilities are hereby expressly disclaimed.



Rev	Date	Drm	Chk'd	App'd	Description
M01	13/05/2022	DS	EE	SMG	ISSUE FOR PHASE 4 : PLANNING

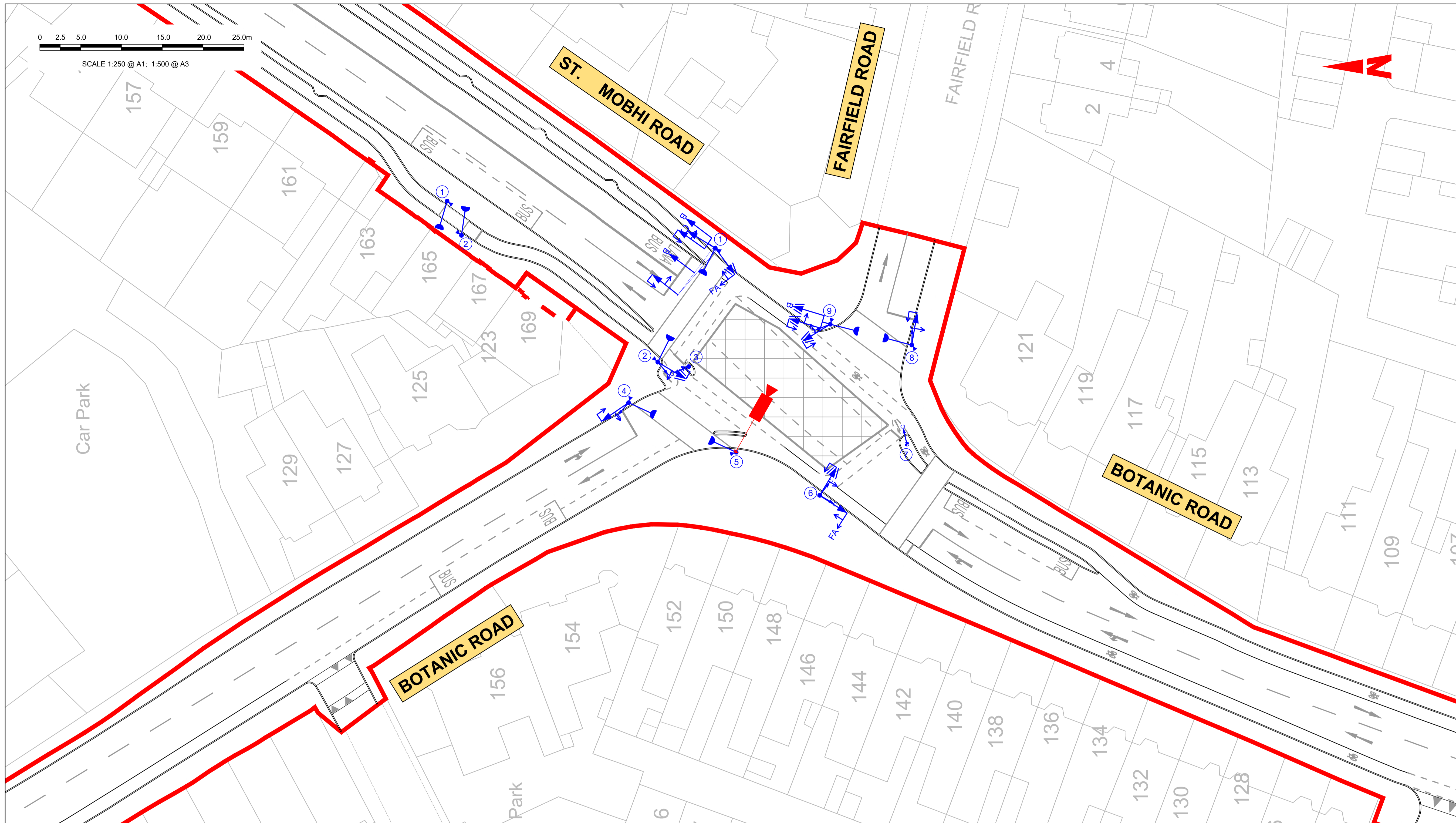
Client  
**NTA**  
 Údarás Náisiúnta Iompair  
 National Transport Authority

Engineering Designer  
**PROD**  
 TYPSA

Programme Title <b>BUSCONNECTS DUBLIN CORE BUS CORRIDORS INFRASTRUCTURE WORKS</b>			
Drawing Title BALLYMUN / FINGLAS TO CITY CENTRE CORE BUS CORRIDOR SCHEME JUNCTION SYSTEM DESIGN BOTANIC AVENUE / ST. MOBHI ROAD			
Date 13/05/2022	Scale 1:250 @ A1 1:500 @ A3	Drawn DS	Checked EE
Approved SMG	Programme Code BCIDD	Originator Code ROT	QMS Code
Drawing File Name BCIDD-ROT-TSM_SJ-0304_XX_00-DR-CR-0014	Sheet Number 14 of 38	Status A	Rev M01

0 2.5 5.0 10.0 15.0 20.0 25.0m

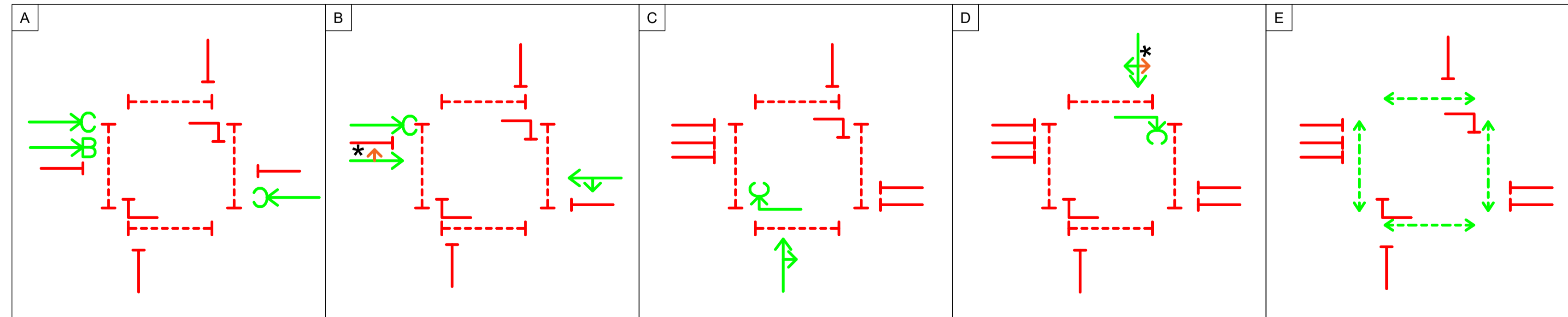
SCALE 1:250 @ A1; 1:500 @ A3



LEGEND:

- TRAFFIC SIGNAL HEADS:**
- RTS 001 PRIMARY
  - RTS 001 SECONDARY
  - RTS 002 PRIMARY
  - RTS 002 SECONDARY
  - RTS 003 (RUS 012) PRIMARY
  - RTS 003 (RUS 012) SECONDARY
  - RTS 007 (LOW LEVEL) PRIMARY
  - RPC 004 PEDESTRIAN HEAD
- TRAFFIC SIGNAL EQUIPMENT:**
- POLE (STANDARD HEIGHT)
  - TALL POLE (CCTV/TRAFFIC SIGNALS)
  - POLE NUMBER
  - PUSH BUTTON UNIT
  - PAN / TILT / ZOOM CCTV CAMERA
- GENERAL:**
- SITE BOUNDARY LINE
  - TEMPORARY LAND ACQUISITION

INDICATIVE METHOD OF CONTROL



\* DENOTES FLASHING AMBER

**Disclaimer**  
 a. © National Transport Authority (NTA) 2022. This drawing is confidential and the copyright in it is owned by NTA. This drawing must not be either loaned, copied or otherwise reproduced in whole or in part or used for any purpose without the prior permission of NTA.  
 b. This drawing is to be used for the design element identified in the titlebox. Other information shown is to be considered indicative only. The drawing is to be read in conjunction with all other relevant design drawings.  
 c. O.S. data used for plans are printed under © Ordnance Survey Ireland Government of Ireland. All rights reserved. Licence Number 2022/OSI\_NMA\_180 National Transport Authority. All elevations are in metres and relate to OSI Geoid Model (OSGM15) Mean Head. All Co-ordinates are in Irish

Transverse Mercator Grid (ITM) as defined by OSI active local GPS station.  
 d. Information concerning the position of apparatus shown on this drawing is based on drawings supplied by the utility owners and/or the utility works contractor, whilst every care has been taken in the preparation of this drawing, positions should be taken as approximate and are intended for general guidance only and no representation is made by the NTA as to the accuracy, completeness, sufficiency or otherwise of this drawing and the position of the apparatus. The information contained herein does not purport to be comprehensive or final as the apparatus is subject to being altered and/or superseded. Recipients should not rely on this information. Any liabilities are hereby expressly disclaimed.

e. The information contained herein has been provided by the NTA but does not purport to be comprehensive or final. Recipients should not rely on the information. Neither the NTA nor any of its directors, officers, employees, agents, stakeholders or advisers make any representation or warranty as to, or accept any liability or responsibility in relation to, the adequacy, accuracy, reasonableness or completeness of the information provided as part of this document or any matter on which the information is based (including but not limited to loss or damage arising as a result of reliance by recipients on the information or any part of it). Any liabilities are hereby expressly disclaimed.



Rev	Date	Drm	Chk'd	App'd	Description
M01	13/05/2022	DS	EE	SMG	ISSUE FOR PHASE 4 : PLANNING

Client: **NTA** Údarás Náisiúnta Iompair National Transport Authority

Engineering Designer: **IROD** TYPSA

Date: 13/05/2022 Scale: 1:250 @ A1, 1:500 @ A3

Drawn: DS Checked: EE Approved: SMG

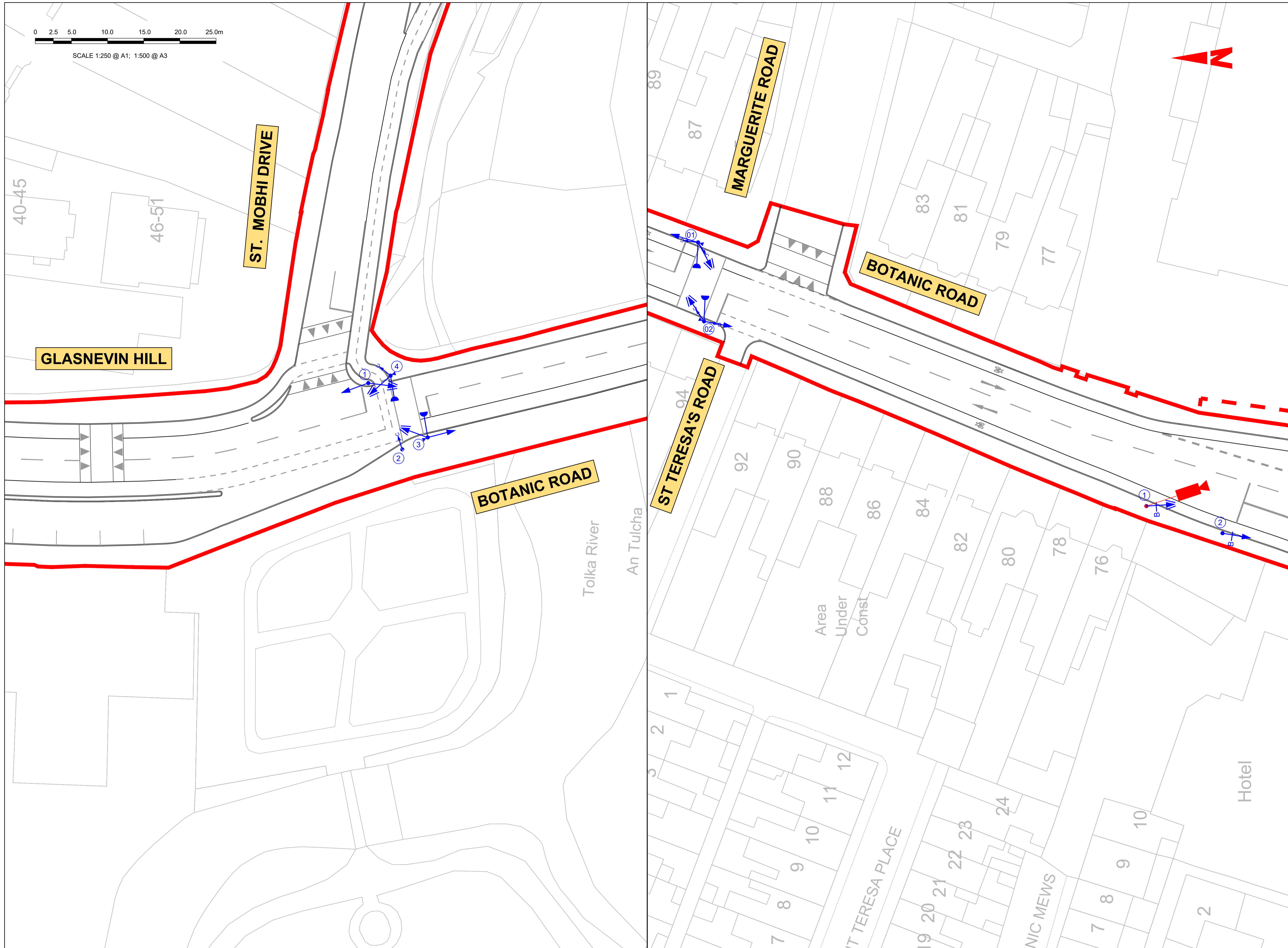
Programme Code: BCIDD Originator Code: ROT QMS Code:

Programme Title: **BUSCONNECTS DUBLIN CORE BUS CORRIDORS INFRASTRUCTURE WORKS**

Drawing Title: BALLYMUN / FINGLAS TO CITY CENTRE CORE BUS CORRIDOR SCHEME JUNCTION SYSTEM DESIGN BOTANIC ROAD / ST. MOBHI ROAD

Drawing File Name: BCIDD-ROT-TSM\_SJ-0304\_XX\_00-DR-CR-0015 Sheet Number: 15 of 38 Status: A Rev: M01

DO NOT SCALE USE FIGURED DIMENSIONS ONLY



- LEGEND:**
- TRAFFIC SIGNAL HEADS:**
- RTS 001 PRIMARY
  - RTS 001 SECONDARY
  - RTS 002 PRIMARY
  - RTS 002 SECONDARY
  - RTS 003 (RUS 012) PRIMARY
  - RTS 003 (RUS 012) SECONDARY
  - RTS 007 (LOW LEVEL) PRIMARY
  - RPC 004 PEDESTRIAN HEAD
- TRAFFIC SIGNAL EQUIPMENT:**
- POLE (STANDARD HEIGHT)
  - TALL POLE (CCTV/TRAFFIC SIGNALS)
  - POLE NUMBER
  - PUSH BUTTON UNIT
  - PAN / TILT / ZOOM CCTV CAMERA
- GENERAL:**
- SITE BOUNDARY LINE
  - TEMPORARY LAND ACQUISITION

**Disclaimer**

a. © National Transport Authority (NTA) 2022. This drawing is confidential and the copyright in it is owned by NTA. This drawing must not be either loaned, copied or otherwise reproduced in whole or in part or used for any purpose without the prior permission of NTA.

b. This drawing is to be used for the design element identified in the title block. Other information shown is to be considered indicative only. The drawing is to be read in conjunction with all other relevant design drawings.

c. O.S. data used for plans are printed under © Ordnance Survey Ireland Government of Ireland. All rights reserved. Licence Number 2022/OSI\_NMA\_180 National Transport Authority. All elevations are in metres and relate to OSI Geoid Model (OSGM15) Mean Head. All Co-ordinates are in Irish

Transverse Mercator Grid (ITM) as defined by OSI active local GPS station.

d. Information concerning the position of apparatus shown on this drawing is based on drawings supplied by the utility owners and/or the utility works contractor, whilst every care has been taken in the preparation of this drawing, positions should be taken as approximate and are intended for general guidance only and no representation is made by the NTA as to the accuracy, completeness, sufficiency or otherwise of this drawing and the position of the apparatus. The information contained herein does not purport to be comprehensive or final as the apparatus is subject to being altered and/or superceded. Recipients should not rely on this information. Any liabilities are hereby expressly disclaimed.

e. The information contained herein has been provided by the NTA but does not purport to be comprehensive or final. Recipients should not rely on the information. Neither the NTA nor any of its directors, officers, employees, agents, stakeholders or advisers make any representation or warranty as to, or accept any liability or responsibility in relation to, the adequacy, accuracy, reasonableness or completeness of the information provided as part of this document or any matter on which the information is based (including but not limited to loss or damage arising as a result of reliance by recipients on the information or any part of it). Any liabilities are hereby expressly disclaimed.

Rev	Date	Dwn	Chk'd	App'd	Description
M01	13/05/2022	DS	EE	SMG	ISSUE FOR PHASE 4 : PLANNING

Client: **NTA**  
Údarás Náisiúnta Iompair  
National Transport Authority

Engineering Designer: **PROD**  
TYPSA

Date: 13/05/2022 Scale: 1:250 @ A1, 1:500 @ A3

Drawn: DS Checked: EE Approved: SMG

Programme Code: BCIDD Originator Code: ROT QMS Code:

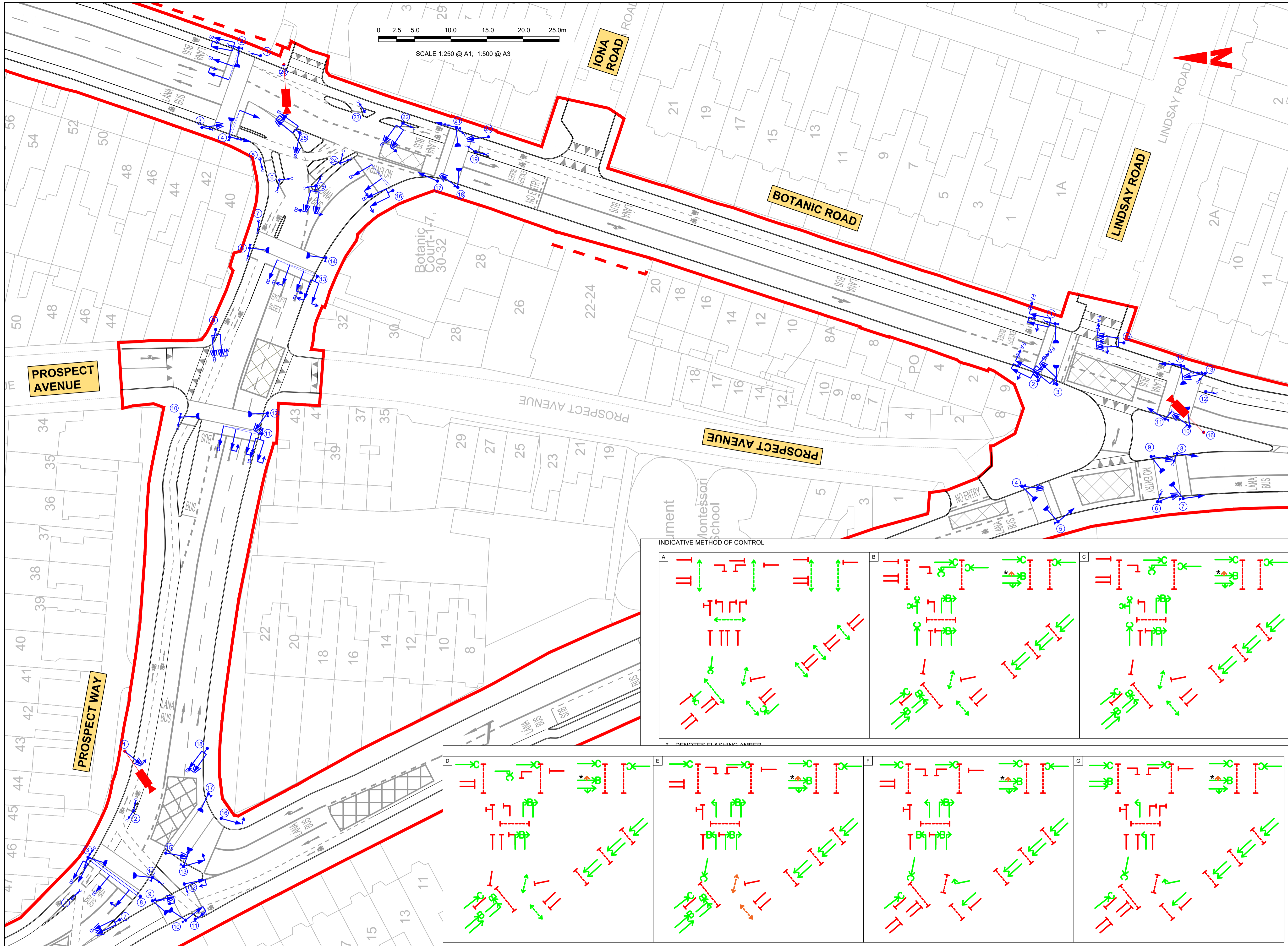
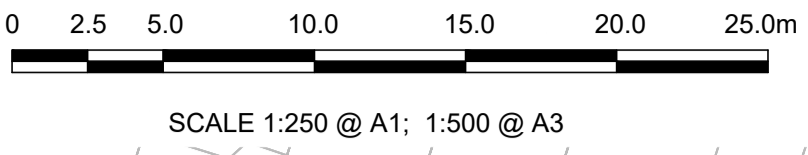
Programme Title: **BUSCONNECTS DUBLIN**  
**CORE BUS CORRIDORS INFRASTRUCTURE WORKS**

Drawing Title: **BALLYMUN / FINGLAS TO CITY CENTRE CORE BUS CORRIDOR SCHEME**  
JUNCTION SYSTEM DESIGN  
PEDESTRIAN & TOUCAN CROSSING

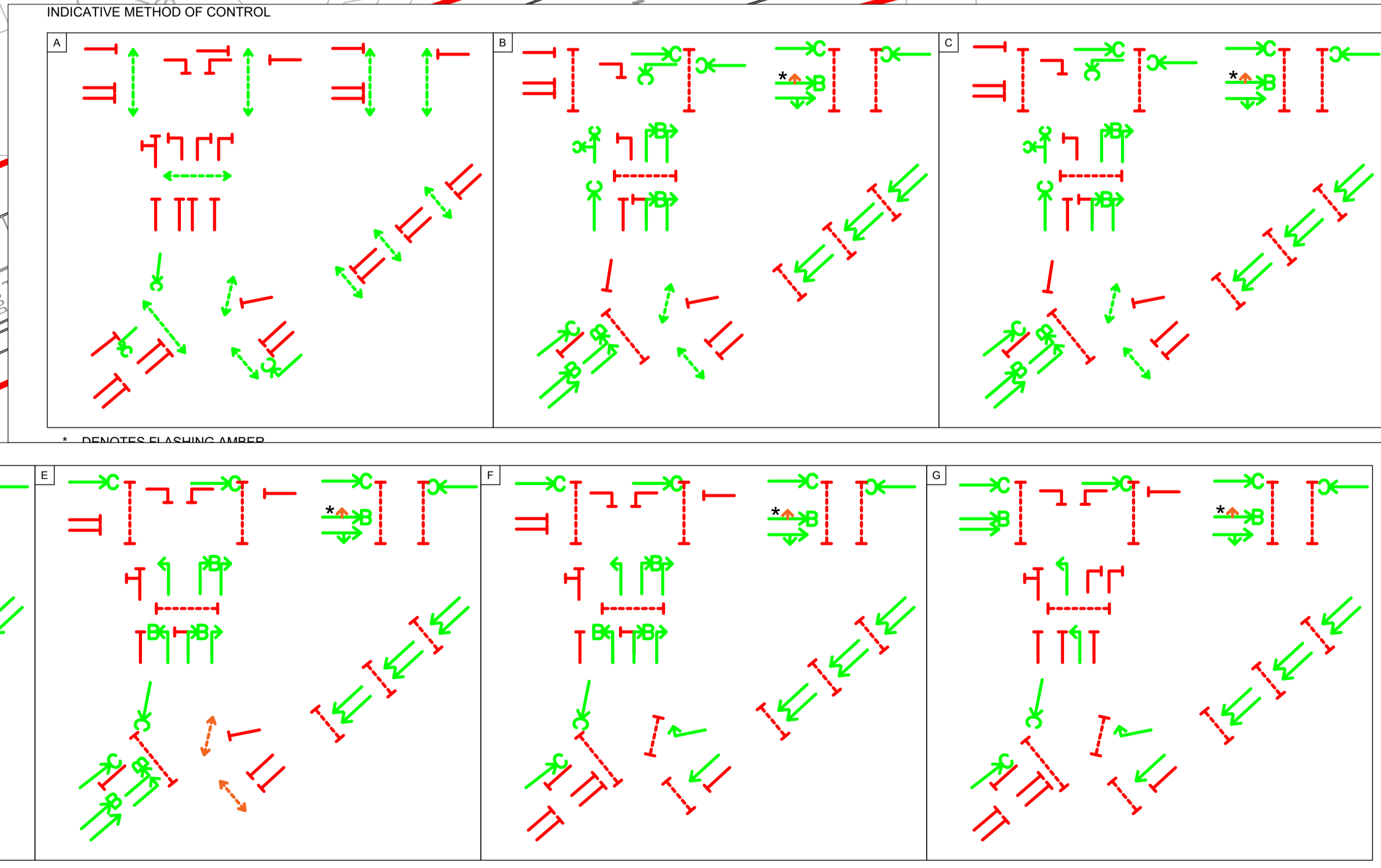
Drawing File Name: BCIDD-ROT-TSM\_SJ-0304\_XX\_00-DR-CR-0016

Sheet Number: 16 of 38 Status: A Rev: M01

DO NOT SCALE USE FIGURED DIMENSIONS ONLY



- LEGEND:**
- TRAFFIC SIGNAL HEADS:**
    - RTS 001 PRIMARY
    - RTS 001 SECONDARY
    - RTS 002 PRIMARY
    - RTS 002 SECONDARY
    - RTS 003 (RUS 012) PRIMARY
    - RTS 003 (RUS 012) SECONDARY
    - RTS 007 (LOW LEVEL) PRIMARY
    - RPC 004 PEDESTRIAN HEAD
  - TRAFFIC SIGNAL EQUIPMENT:**
    - POLE (STANDARD HEIGHT)
    - TALL POLE (CCTV/TRAFFIC SIGNALS)
    - POLE NUMBER
    - PUSH BUTTON UNIT
    - PAN / TILT / ZOOM CCTV CAMERA
  - GENERAL:**
    - SITE BOUNDARY LINE
    - TEMPORARY LAND ACQUISITION



**Disclaimer**

a. © National Transport Authority (NTA) 2022. This drawing is confidential and the copyright in it is owned by NTA. This drawing must not be either loaned, copied or otherwise reproduced in whole or in part or used for any purpose without the prior permission of NTA.

b. This drawing is to be used for the design element identified in the titleblock. Other information shown is to be considered indicative only. The drawing is to be read in conjunction with all other relevant design drawings.

c. O.S. data used for plans are printed under © Ordnance Survey Ireland Government of Ireland. All rights reserved. Licence Number 2022/OSI\_NMA\_180 National Transport Authority. All elevations are in metres and relate to OSI Geoid Model (OSGM15) Mean Head. All Co-ordinates are in Irish Transverse Mercator Grid (ITM) as defined by OSI active local GPS station.

d. Information concerning the position of apparatus shown on this drawing is based on drawings supplied by the utility owners and/or the utility works contractor, whilst every care has been taken in the preparation of this drawing, positions should be taken as approximate and are intended for general guidance only and no representation is made by the NTA as to the accuracy, completeness, sufficiency or otherwise of this information. The information contained herein does not purport to be comprehensive or final as the apparatus is subject to being altered and/or superceded. Recipients should not rely on this information. Any liabilities are hereby expressly disclaimed.

e. The information contained herein has been provided by the NTA but does not purport to be comprehensive or final. Recipients should not rely on the information. Neither the NTA nor any of its directors, officers, employees, agents, stakeholders or advisers make any representation or warranty as to, or accept any liability or responsibility in relation to, the adequacy, accuracy, reasonableness or completeness of the information provided as part of this document or any matter on which the information is based (including but not limited to loss or damage arising as a result of reliance by recipients on the information or any part of it). Any liabilities are hereby expressly disclaimed.

Rev	Date	Drm	Chk'd	App'd	Description
M01	13/05/2022	DS	EE	SMG	ISSUE FOR PHASE 4 : PLANNING

Client: **NTA**  
Údarás Náisiúnta Iompair  
National Transport Authority

Engineering Designer: **PROD**  
TYPSA

Date: 13/05/2022  
Scale: N.T.S @ A1, N.T.S @ A3

Drawn: DS  
Checked: EE  
Approved: SMG

Programme Code: BCIDD  
Originator Code: ROT  
QMS Code:

Programme Title: **BUSCONNECTS DUBLIN**  
**CORE BUS CORRIDORS INFRASTRUCTURE WORKS**

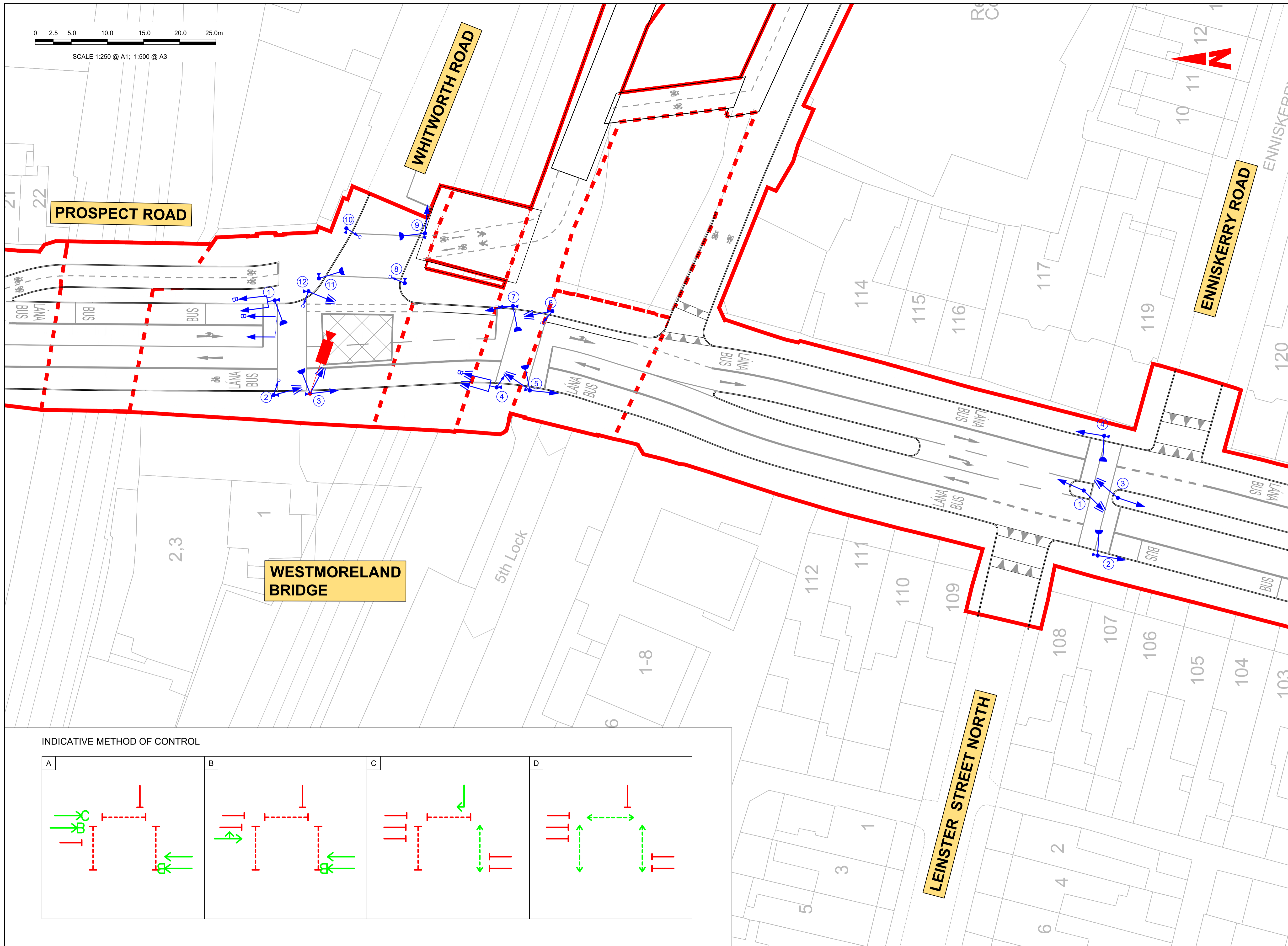
Drawing Title: BALLYMUN / FINGLAS TO CITY CENTRE CORE BUS CORRIDOR SCHEME  
JUNCTION SYSTEM DESIGN  
HARTS CORNER GYRATORY

Drawing File Name: BCIDD-ROT-TSM\_SJ-0304\_XX\_00-DR-CR-0017  
Sheet Number: 17 of 38  
Status: A  
Rev: M01



0 2.5 5.0 10.0 15.0 20.0 25.0m

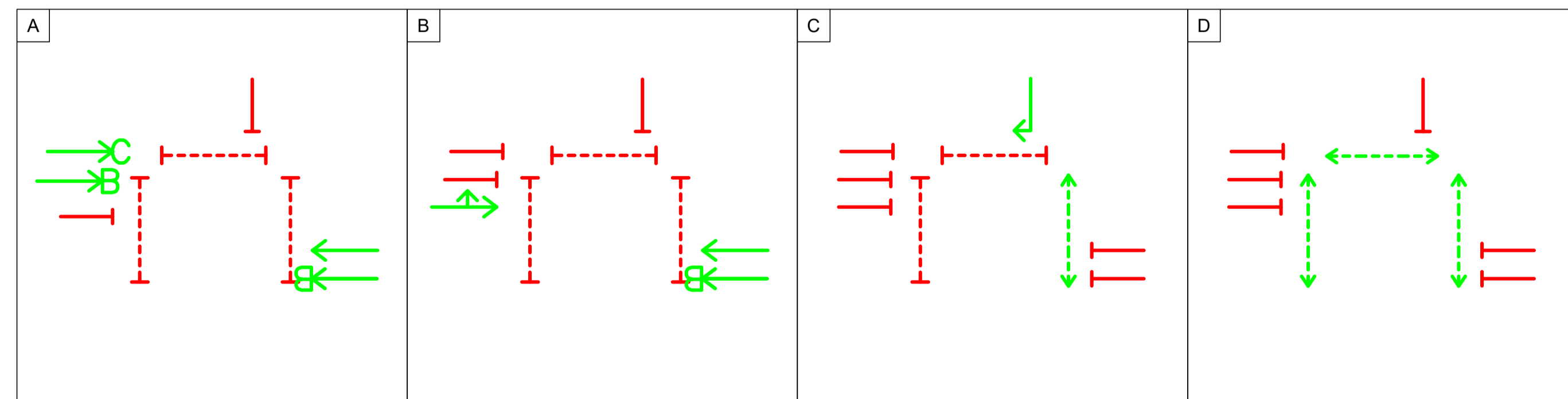
SCALE 1:250 @ A1; 1:500 @ A3



LEGEND:

- TRAFFIC SIGNAL HEADS:**
- RTS 001 PRIMARY
  - RTS 001 SECONDARY
  - RTS 002 PRIMARY
  - RTS 002 SECONDARY
  - RTS 003 (RUS 012) PRIMARY
  - RTS 003 (RUS 012) SECONDARY
  - RTS 007 (LOW LEVEL) PRIMARY
  - RPC 004 PEDESTRIAN HEAD
- TRAFFIC SIGNAL EQUIPMENT:**
- POLE (STANDARD HEIGHT)
  - TALL POLE (CCTV/TRAFFIC SIGNALS)
  - POLE NUMBER
  - PUSH BUTTON UNIT
  - PAN / TILT / ZOOM CCTV CAMERA
- GENERAL:**
- SITE BOUNDARY LINE
  - TEMPORARY LAND ACQUISITION

INDICATIVE METHOD OF CONTROL



**Disclaimer**  
 a. © National Transport Authority (NTA) 2022. This drawing is confidential and the copyright in it is owned by NTA. This drawing must not be either loaned, copied or otherwise reproduced in whole or in part or used for any purpose without the prior permission of NTA.  
 b. This drawing is to be used for the design element identified in the titlebox. Other information shown is to be considered indicative only. The drawing is to be read in conjunction with all other relevant design drawings.  
 c. O.S. data used for plans are printed under © Ordnance Survey Ireland Government of Ireland. All rights reserved. Licence Number 2022/OSI\_NMA\_180 National Transport Authority. All elevations are in metres and relate to OSI Geoid Model (OSGM15) Mean Head. All Co-ordinates are in Irish

Transverse Mercator Grid (ITM) as defined by OSI active local GPS station.  
 d. Information concerning the position of apparatus shown on this drawing is based on drawings supplied by the utility owners and/or the utility works contractor, whilst every care has been taken in the preparation of this drawing, positions should be taken as approximate and are intended for general guidance only and no representation is made by the NTA as to the accuracy, completeness, sufficiency or otherwise of this drawing and the position of the apparatus. The information contained herein does not purport to be comprehensive or final as the apparatus is subject to being altered and/or superceded. Recipients should not rely on this information. Any liabilities are hereby expressly disclaimed.

e. The information contained herein has been provided by the NTA but does not purport to be comprehensive or final. Recipients should not rely on the information. Neither the NTA nor any of its directors, officers, employees, agents, stakeholders or advisers make any representation or warranty as to, or accept any liability or responsibility in relation to, the adequacy, accuracy, reasonableness or completeness of the information provided as part of this document or any matter on which the information is based (including but not limited to loss or damage arising as a result of reliance by recipients on the information or any part of it). Any liabilities are hereby expressly disclaimed.



Rev	Date	Drm	Chk'd	App'd	Description
M01	13/05/2022	DS	EE	SMG	ISSUE FOR PHASE 4 : PLANNING

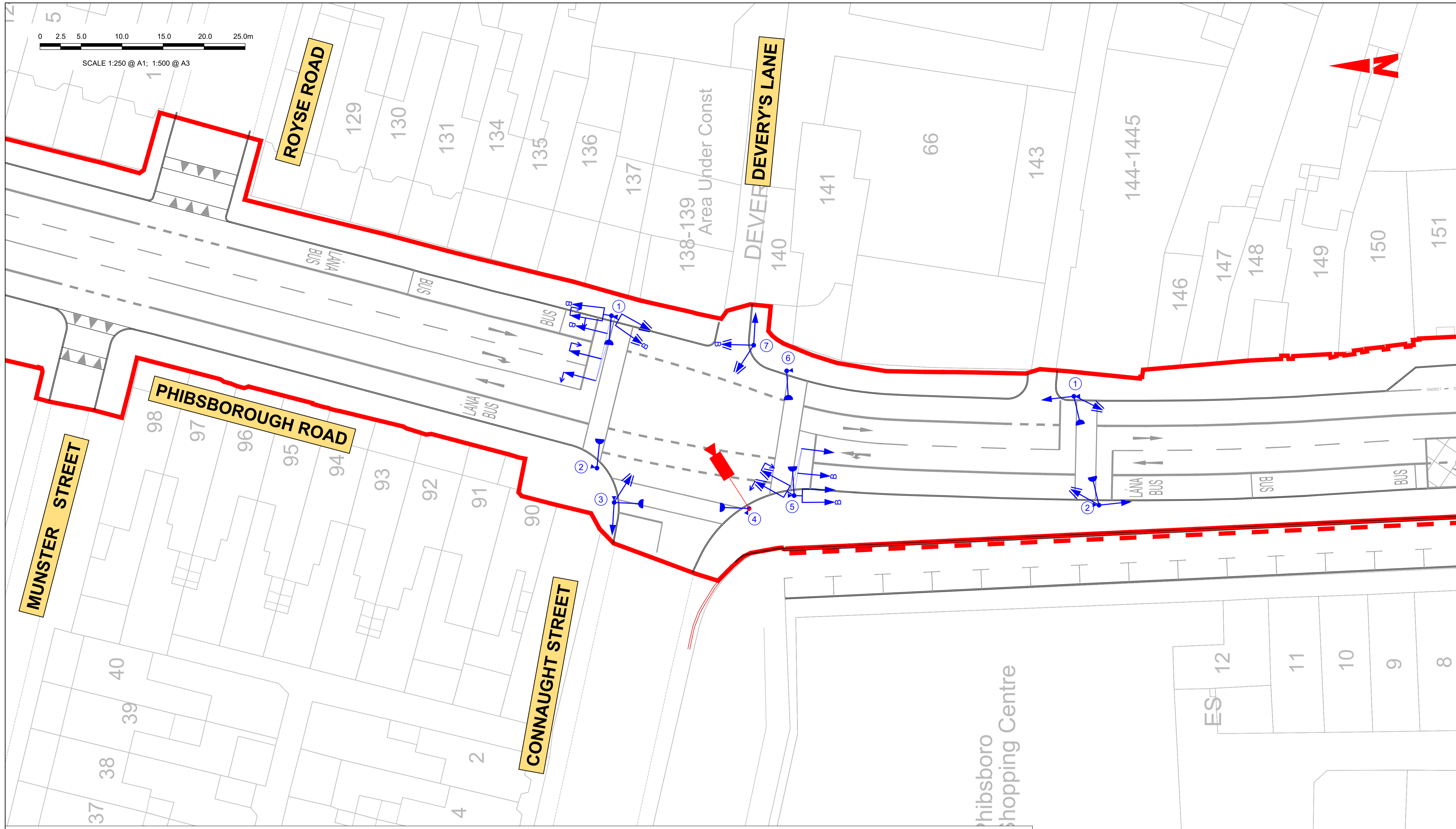
Client: **NTA**  
 Údarás Náisiúnta Iompair  
 National Transport Authority

Engineering Designer: **PROD**  
 TYPSA

Date: 13/05/2022 Scale: 1:250 @ A1, 1:500 @ A3  
 Drawn: DS Checked: EE Approved: SMG

Programme Code: BCIDD Originator Code: ROT QMS Code:

Programme Title: <b>BUSCONNECTS DUBLIN</b>			
CORE BUS CORRIDORS INFRASTRUCTURE WORKS			
Drawing Title: BALLYMUN / FINGLAS TO CITY CENTRE CORE BUS CORRIDOR SCHEME JUNCTION SYSTEM DESIGN WHITWORTH ROAD / PROSPECT ROAD			
Drawing File Name: BCIDD-ROT-TSM_SJ-0304_XX_00-DR-CR-0018	Sheet Number: 18 of 38	Status: A	Rev: M01



**LEGEND:**

**TRAFFIC SIGNAL HEADS:**

- RTS 001 PRIMARY
- RTS 001 SECONDARY
- RTS 002 PRIMARY
- RTS 002 SECONDARY
- RTS 003 (RUS 012) PRIMARY
- RTS 003 (RUS 012) SECONDARY
- RTS 007 (LOW LEVEL) PRIMARY
- RPC 004 PEDESTRIAN HEAD

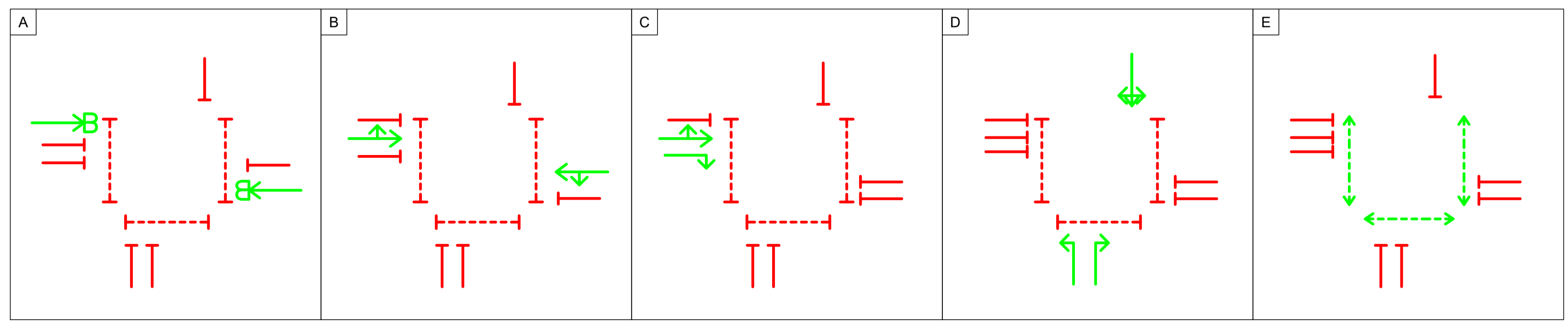
**TRAFFIC SIGNAL EQUIPMENT:**

- POLE (STANDARD HEIGHT)
- TALL POLE (CCTV/TRAFFIC SIGNALS)
- POLE NUMBER
- PUSH BUTTON UNIT
- PAN / TILT / ZOOM CCTV CAMERA

**GENERAL:**

- SITE BOUNDARY LINE
- TEMPORARY LAND ACQUISITION

**INDICATIVE METHOD OF CONTROL**



**Disclaimer**

a. © National Transport Authority (NTA) 2022. This drawing is confidential and the copyright in it is owned by NTA. This drawing must not be either loaned, copied or otherwise reproduced in whole or in part or used for any purpose without the prior permission of NTA.

b. This drawing is to be used for the design element identified in the titlebox. Other information shown is to be considered indicative only. The drawing is to be read in conjunction with all other relevant design drawings.

c. O.S. data used for plans are printed under © Ordnance Survey Ireland Government of Ireland. All rights reserved. Licence Number 2022/OSI\_NMA\_180 National Transport Authority. All elevations are in metres and relate to OSI Geoid Model (OSGM15) Mean Head. All Co-ordinates are in Irish

Transverse Mercator Grid (ITM) as defined by OSI active local GPS station.

d. Information concerning the position of apparatus shown on this drawing is based on drawings supplied by the utility owners and/or the utility works contractor, whilst every care has been taken in the preparation of this drawing, positions should be taken as approximate and are intended for general guidance only and no representation is made by the NTA as to the accuracy, completeness, sufficiency or otherwise of this drawing and the position of the apparatus. The information contained herein does not purport to be comprehensive or final as the apparatus is subject to being altered and/or superceded. Recipients should not rely on this information. Any liabilities are hereby expressly disclaimed.

e. The information contained herein has been provided by the NTA but does not purport to be comprehensive or final. Recipients should not rely on the information. Neither the NTA nor any of its directors, officers, employees, agents, stakeholders or advisers make any representation or warranty as to, or accept any liability or responsibility in relation to, the adequacy, accuracy, reasonableness or completeness of the information provided as part of this document or any matter on which the information is based (including but not limited to loss or damage arising as a result of reliance by recipients on the information or any part of it). Any liabilities are hereby expressly disclaimed.



Rev	Date	Drm	Chk'd	App'd	Description
M01	13/05/2022	DS	EE	SMG	ISSUE FOR PHASE 4 : PLANNING

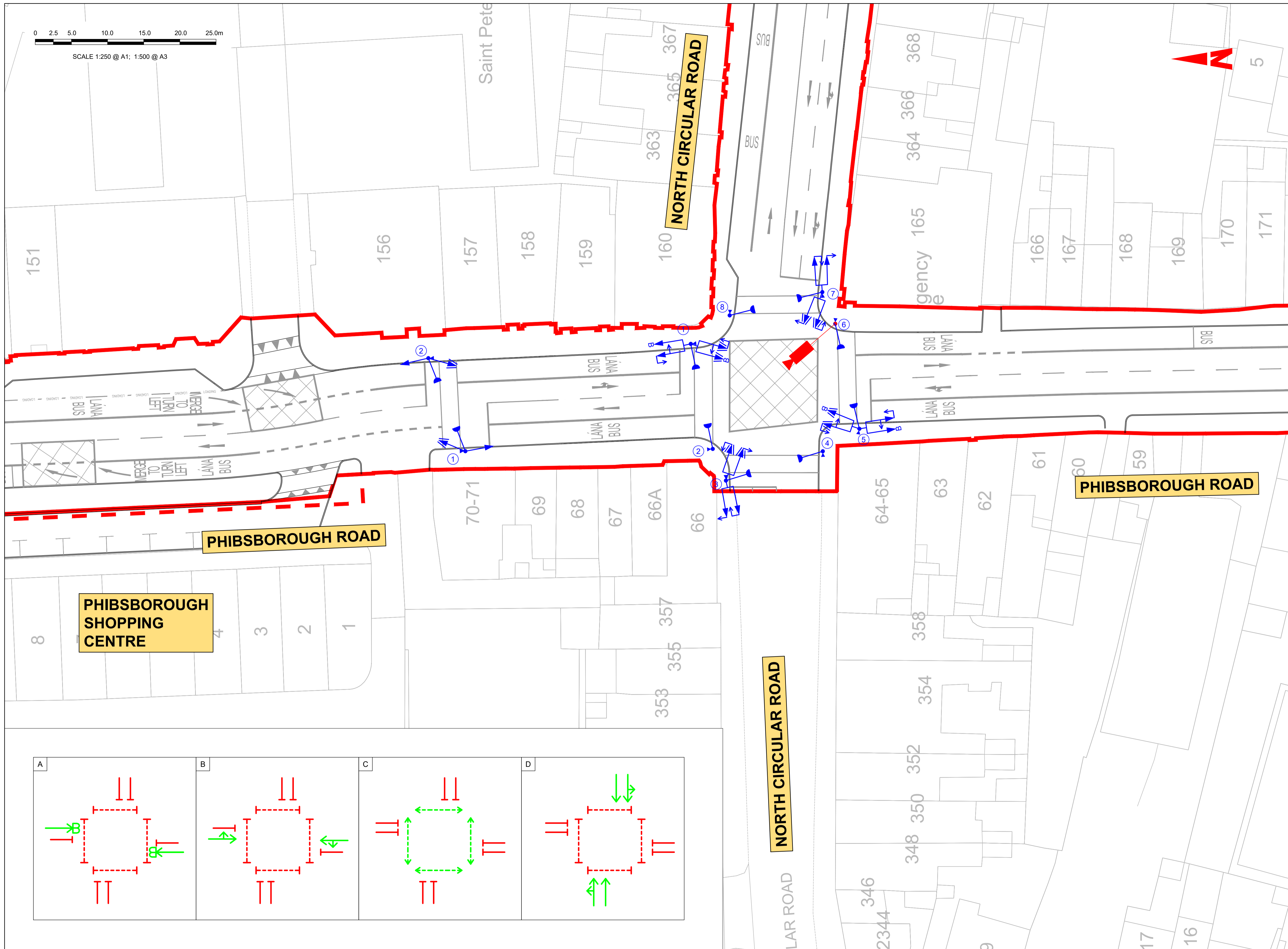
Client

Engineering Designer

Programme Title		<b>BUSCONNECTS DUBLIN CORE BUS CORRIDORS INFRASTRUCTURE WORKS</b>		
Drawing Title		BALLYMUN / FINGLAS TO CITY CENTRE CORE BUS CORRIDOR SCHEME JUNCTION SYSTEM DESIGN CONNAUGHT STREET / PHIBSBOROUGH ROAD		
Date	Scale	Drawn	Checked	Approved
13/05/2022	1:250 @ A1 1:500 @ A3	DS	EE	SMG
Programme Code	Originator Code	QMS Code		
BCIDD	ROT			
Drawing File Name	Sheet Number	Status	Rev	
BCIDD-ROT-TSM_SJ-0304_XX_00-DR-CR-0019	19 of 38	A	M01	

0 2.5 5.0 10.0 15.0 20.0 25.0m

SCALE 1:250 @ A1; 1:500 @ A3



**LEGEND:**

**TRAFFIC SIGNAL HEADS:**

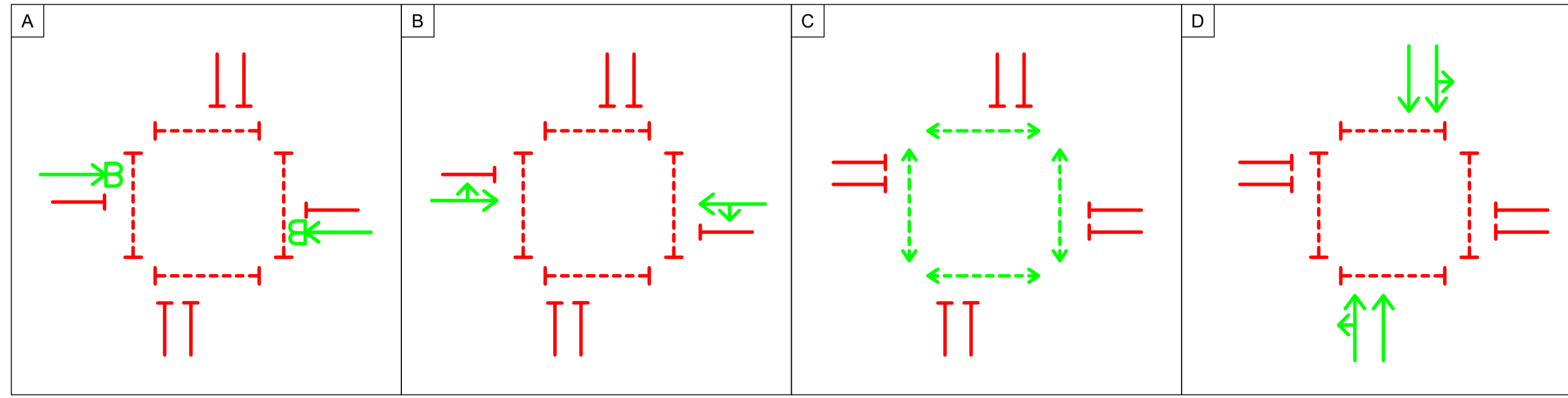
- RTS 001 PRIMARY
- RTS 001 SECONDARY
- RTS 002 PRIMARY
- RTS 002 SECONDARY
- RTS 003 (RUS 012) PRIMARY
- RTS 003 (RUS 012) SECONDARY
- RTS 007 (LOW LEVEL) PRIMARY
- RPC 004 PEDESTRIAN HEAD

**TRAFFIC SIGNAL EQUIPMENT:**

- POLE (STANDARD HEIGHT)
- TALL POLE (CCTV/TRAFFIC SIGNALS)
- POLE NUMBER
- PUSH BUTTON UNIT
- PAN / TILT / ZOOM CCTV CAMERA

**GENERAL:**

- SITE BOUNDARY LINE
- TEMPORARY LAND ACQUISITION



**Disclaimer**  
 a. © National Transport Authority (NTA) 2022. This drawing is confidential and the copyright in it is owned by NTA. This drawing must not be either loaned, copied or otherwise reproduced in whole or in part or used for any purpose without the prior permission of NTA.  
 b. This drawing is to be used for the design element identified in the titlebox. Other information shown is to be considered indicative only. The drawing is to be read in conjunction with all other relevant design drawings.  
 c. O.S. data used for plans are printed under © Ordnance Survey Ireland Government of Ireland. All rights reserved. Licence Number 2022/OSI\_NMA\_180 National Transport Authority. All elevations are in metres and relate to OSI Geoid Model (OSGM15) Mean Head. All Co-ordinates are in Irish

Transverse Mercator Grid (ITM) as defined by OSI active local GPS station.  
 d. Information concerning the position of apparatus shown on this drawing is based on drawings supplied by the utility owners and/or the utility works contractor, whilst every care has been taken in the preparation of this drawing, positions should be taken as approximate and are intended for general guidance only and no representation is made by the NTA as to the accuracy, completeness, sufficiency or otherwise of this drawing and the position of the apparatus. The information contained herein does not purport to be comprehensive or final as the apparatus is subject to being altered and/or superceded. Recipients should not rely on this information. Any liabilities are hereby expressly disclaimed.

e. The information contained herein has been provided by the NTA but does not purport to be comprehensive or final. Recipients should not rely on the information. Neither the NTA nor any of its directors, officers, employees, agents, stakeholders or advisers make any representation or warranty as to, or accept any liability or responsibility in relation to, the adequacy, accuracy, reasonableness or completeness of the information provided as part of this document or any matter on which the information is based (including but not limited to loss or damage arising as a result of reliance by recipients on the information or any part of it). Any liabilities are hereby expressly disclaimed.



Rev	Date	Drm	Chk'd	App'd	Description
M01	13/05/2022	DS	EE	SMG	ISSUE FOR PHASE 4 : PLANNING

Client: **NTA**  
 Údarás Náisiúnta Iompair  
 National Transport Authority

Engineering Designer: **PROD**  
 TYPSA

Date: 13/05/2022 Scale: 1:250 @ A1, 1:500 @ A3  
 Drawn: DS Checked: EE Approved: SMG

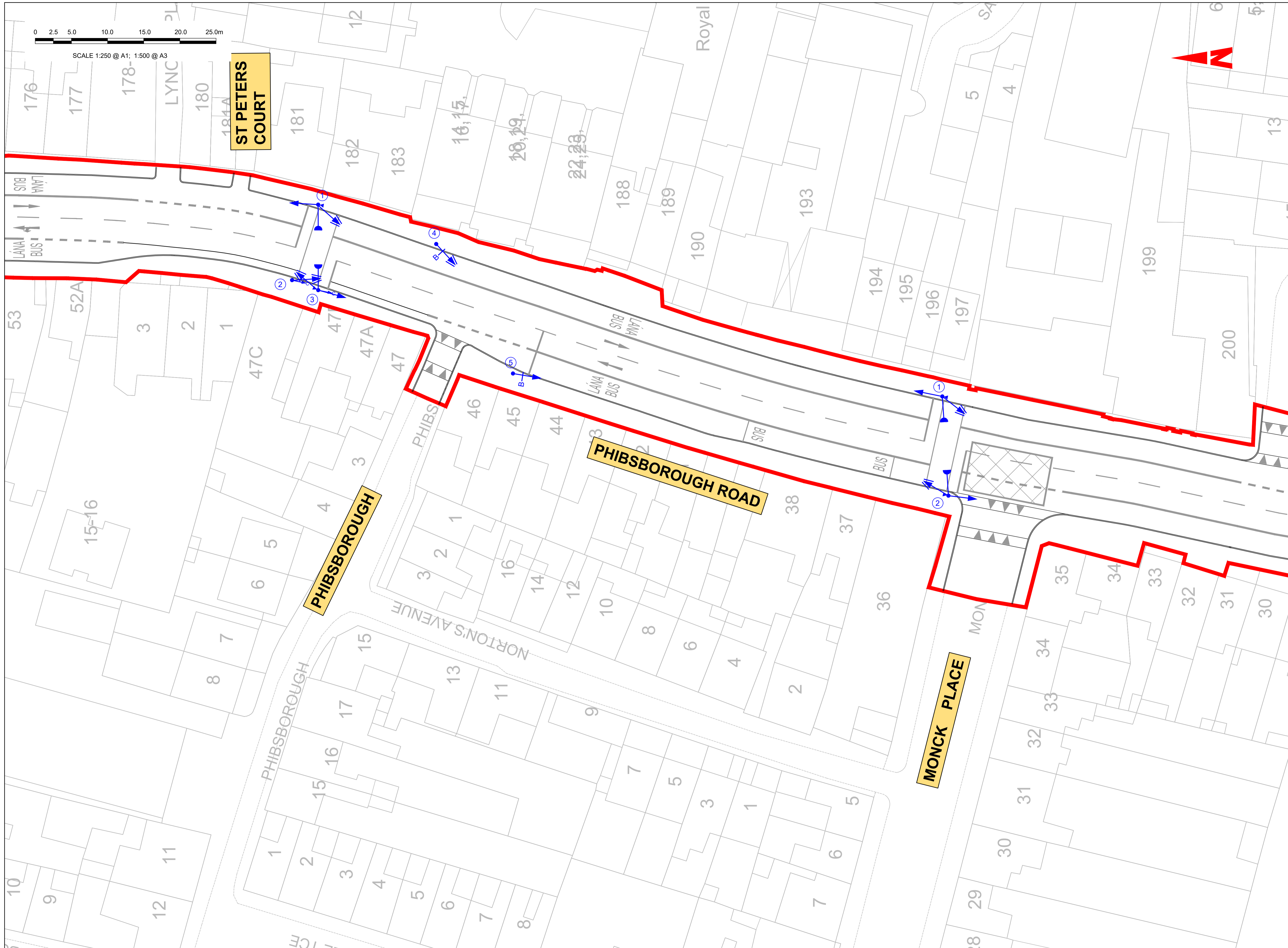
Programme Code: BCIDD Originator Code: ROT QMS Code:

Programme Title: <b>BUSCONNECTS DUBLIN CORE BUS CORRIDORS INFRASTRUCTURE WORKS</b>			
Drawing Title: <b>BALLYMUN / FINGLAS TO CITY CENTRE CORE BUS CORRIDOR SCHEME JUNCTION SYSTEM DESIGN DOYLES CORNER</b>			
Drawing File Name: BCIDD-ROT-TSM_SJ-0304_XX_00-DR-CR-0020	Sheet Number: 20 of 38	Status: A	Rev: M01

DO NOT SCALE USE FIGURED DIMENSIONS ONLY

0 2.5 5.0 10.0 15.0 20.0 25.0m

SCALE 1:250 @ A1; 1:500 @ A3



LEGEND:

- TRAFFIC SIGNAL HEADS:**
- RTS 001 PRIMARY
  - RTS 001 SECONDARY
  - RTS 002 PRIMARY
  - RTS 002 SECONDARY
  - RTS 003 (RUS 012) PRIMARY
  - RTS 003 (RUS 012) SECONDARY
  - RTS 007 (LOW LEVEL) PRIMARY
  - RPC 004 PEDESTRIAN HEAD
- TRAFFIC SIGNAL EQUIPMENT:**
- POLE (STANDARD HEIGHT)
  - TALL POLE (CCTV/TRAFFIC SIGNALS)
  - POLE NUMBER
  - PUSH BUTTON UNIT
  - PAN / TILT / ZOOM CCTV CAMERA
- GENERAL:**
- SITE BOUNDARY LINE
  - TEMPORARY LAND ACQUISITION

**Disclaimer**  
 a. © National Transport Authority (NTA) 2022. This drawing is confidential and the copyright in it is owned by NTA. This drawing must not be either loaned, copied or otherwise reproduced in whole or in part or used for any purpose without the prior permission of NTA.  
 b. This drawing is to be used for the design element identified in the titlebox. Other information shown is to be considered indicative only. The drawing is to be read in conjunction with all other relevant design drawings.  
 c. O.S. data used for plans are printed under © Ordnance Survey Ireland Government of Ireland. All rights reserved. Licence Number 2022/OSI\_NMA\_180 National Transport Authority. All elevations are in metres and relate to OSI Geoid Model (OSGM15) Mean Head. All Co-ordinates are in Irish

Transverse Mercator Grid (ITM) as defined by OSI active local GPS station.  
 d. Information concerning the position of apparatus shown on this drawing is based on drawings supplied by the utility owners and/or the utility works contractor, whilst every care has been taken in the preparation of this drawing, positions should be taken as approximate and are intended for general guidance only and no representation is made by the NTA as to the accuracy, completeness, sufficiency or otherwise of this drawing and the position of the apparatus. The information contained herein does not purport to be comprehensive or final as the apparatus is subject to being altered and/or superceded. Recipients should not rely on this information. Any liabilities are hereby expressly disclaimed.

e. The information contained herein has been provided by the NTA but does not purport to be comprehensive or final. Recipients should not rely on the information. Neither the NTA nor any of its directors, officers, employees, agents, stakeholders or advisers make any representation or warranty as to, or accept any liability or responsibility in relation to, the adequacy, accuracy, reasonableness or completeness of the information provided as part of this document or any matter on which the information is based (including but not limited to loss or damage arising as a result of reliance by recipients on the information or any part of it). Any liabilities are hereby expressly disclaimed.



Rev	Date	Drm	Chk'd	App'd	Description
M01	13/05/2022	DS	EE	SMG	ISSUE FOR PHASE 4 : PLANNING

Client: **NTA**  
 Údarás Náisiúnta Iompair  
 National Transport Authority

Engineering Designer: **PROD**  
 TYPSA

Date: 13/05/2022 Scale: 1:250 @ A1, 1:500 @ A3  
 Drawn: DS Checked: EE Approved: SMG

Programme Code: BCIDD Originator Code: ROT QMS Code:

Programme Title: **BUSCONNECTS DUBLIN**  
**CORE BUS CORRIDORS INFRASTRUCTURE WORKS**

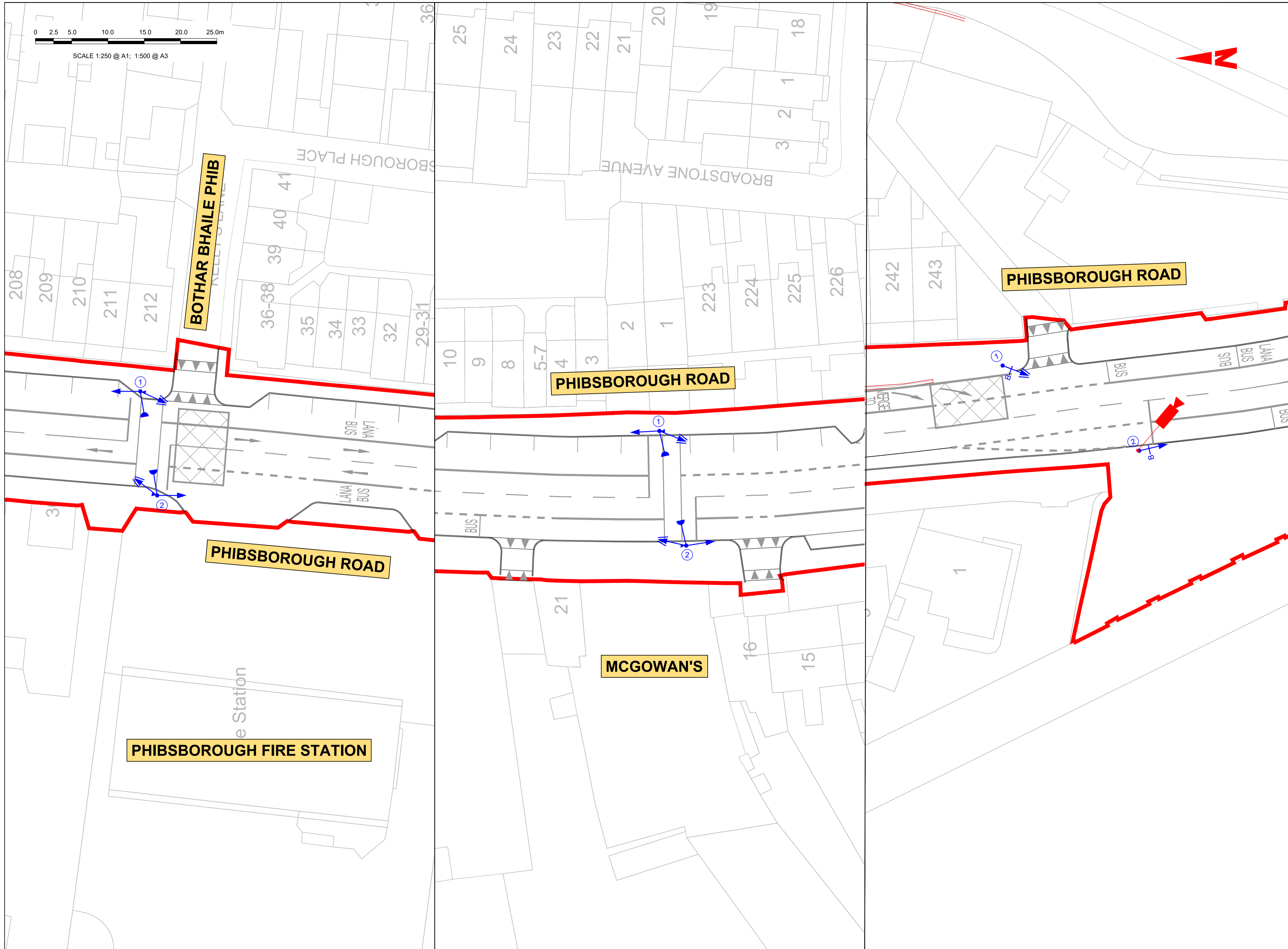
Drawing Title: BALLYMUN / FINGLAS TO CITY CENTRE CORE BUS CORRIDOR SCHEME  
 JUNCTION SYSTEM DESIGN  
 PEDESTRIAN CROSSINGS

Drawing File Name: BCIDD-ROT-TSM\_SJ-0304\_XX\_00-DR-CR-0021 Sheet Number: 21 of 38 Status: A Rev: M01





SCALE 1:250 @ A1; 1:500 @ A3



- LEGEND:**
- TRAFFIC SIGNAL HEADS:**
- RTS 001 PRIMARY
  - RTS 001 SECONDARY
  - RTS 002 PRIMARY
  - RTS 002 SECONDARY
  - RTS 003 (RUS 012) PRIMARY
  - RTS 003 (RUS 012) SECONDARY
  - RTS 007 (LOW LEVEL) PRIMARY
  - RPC 004 PEDESTRIAN HEAD
- TRAFFIC SIGNAL EQUIPMENT:**
- POLE (STANDARD HEIGHT)
  - TALL POLE (CCTV/TRAFFIC SIGNALS)
  - POLE NUMBER
  - PUSH BUTTON UNIT
  - PAN / TILT / ZOOM CCTV CAMERA
- GENERAL:**
- SITE BOUNDARY LINE
  - TEMPORARY LAND ACQUISITION

**Disclaimer**

a. © National Transport Authority (NTA) 2022. This drawing is confidential and the copyright in it is owned by NTA. This drawing must not be either loaned, copied or otherwise reproduced in whole or in part or used for any purpose without the prior permission of NTA.

b. This drawing is to be used for the design element identified in the titlebox. Other information shown is to be considered indicative only. The drawing is to be read in conjunction with all other relevant design drawings.

c. O.S. data used for plans are printed under © Ordnance Survey Ireland Government of Ireland. All rights reserved. Licence Number 2022/OSI\_NMA\_180 National Transport Authority. All elevations are in metres and relate to OSI Geoid Model (OSGM15) Mean Head. All Co-ordinates are in Irish

Transverse Mercator Grid (ITM) as defined by OSI active local GPS station.

d. Information concerning the position of apparatus shown on this drawing is based on drawings supplied by the utility owners and/or the utility works contractor, whilst every care has been taken in the preparation of this drawing, positions should be taken as approximate and are intended for general guidance only and no representation is made by the NTA as to the accuracy, completeness, sufficiency or otherwise of this drawing and the position of the apparatus. The information contained herein does not purport to be comprehensive or final as the apparatus is subject to being altered and/or superceded. Recipients should not rely on this information. Any liabilities are hereby expressly disclaimed.

e. The information contained herein has been provided by the NTA but does not purport to be comprehensive or final. Recipients should not rely on the information. Neither the NTA nor any of its directors, officers, employees, agents, stakeholders or advisers make any representation or warranty as to, or accept any liability or responsibility in relation to, the adequacy, accuracy, reasonableness or completeness of the information provided as part of this document or any matter on which the information is based (including but not limited to loss or damage arising as a result of reliance by recipients on the information or any part of it). Any liabilities are hereby expressly disclaimed.

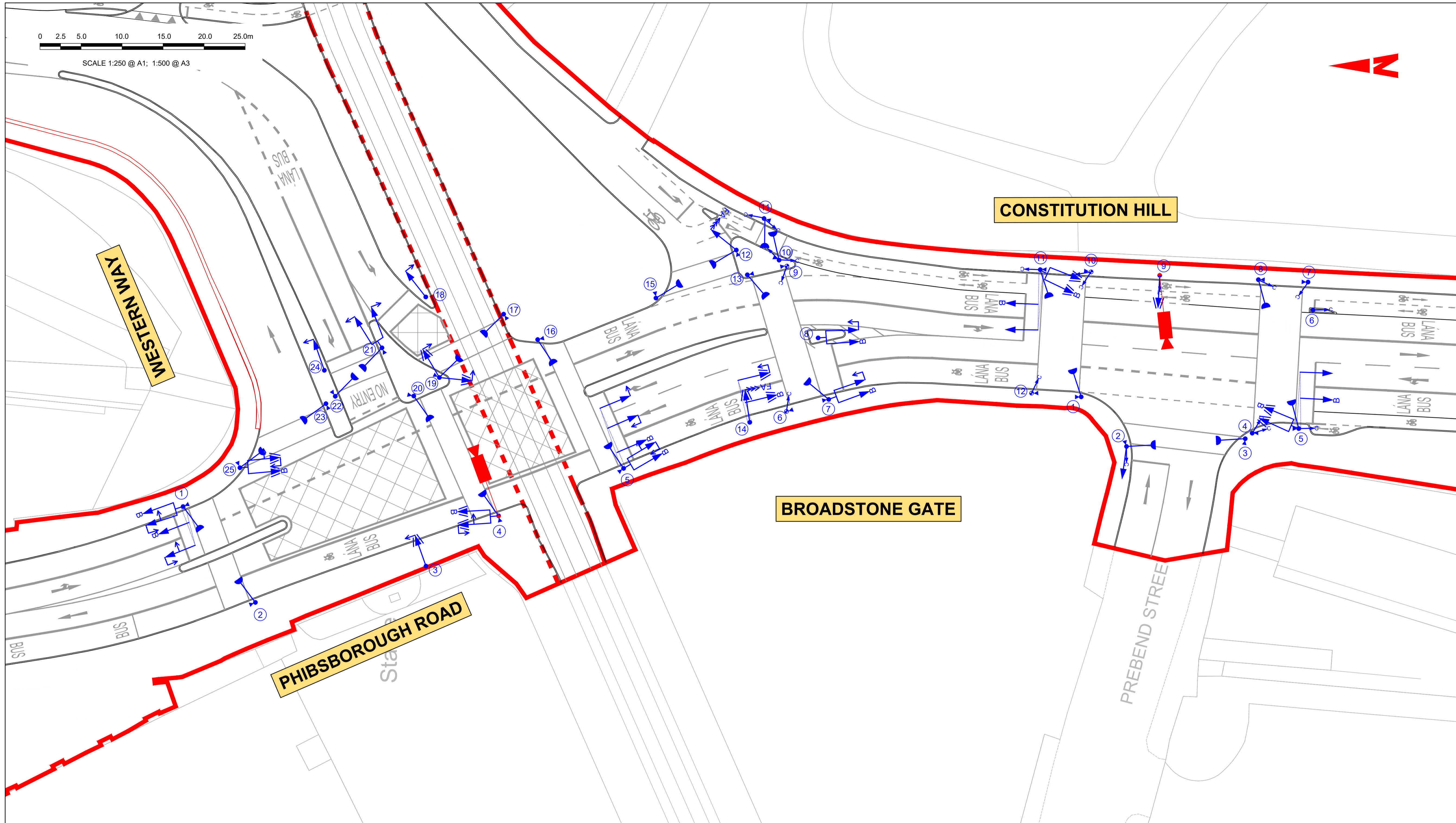


Rev	Date	Drm	Chk'd	App'd	Description
M01	13/05/2022	DS	EE	SMG	ISSUE FOR PHASE 4 : PLANNING

<p>Udarás Náisiúnta Iompair National Transport Authority</p>		<p>Engineering Designer</p>		
Date	Scale	Drawn	Checked	Approved
13/05/2022	1:250 @ A1 1:500 @ A3	DS	EE	SMG
Programme Code	Originator Code	QMS Code		
BCIDD	ROT			

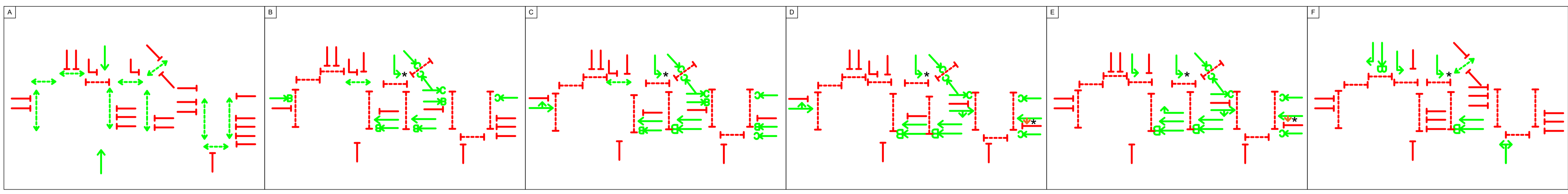
<p>Programme Title</p> <p><b>BUSCONNECTS DUBLIN</b></p> <p><b>CORE BUS CORRIDORS INFRASTRUCTURE WORKS</b></p>				
<p>Drawing Title</p> <p>BALLYMUN / FINGLAS TO CITY CENTRE CORE BUS CORRIDOR SCHEME</p> <p>JUNCTION SYSTEM DESIGN</p> <p>PEDESTRIAN CROSSINGS</p>				
Drawing File Name	Sheet Number	Status	Rev	
BCIDD-ROT-TSM_SJ-0304_XX_00-DR-CR-0022	22 of 38	A	M01	

DO NOT SCALE USE FIGURED DIMENSIONS ONLY



- LEGEND:**
- TRAFFIC SIGNAL HEADS:**
- RTS 001 PRIMARY
  - RTS 001 SECONDARY
  - RTS 002 PRIMARY
  - RTS 002 SECONDARY
  - RTS 003 (RUS 012) PRIMARY
  - RTS 003 (RUS 012) SECONDARY
  - RTS 007 (LOW LEVEL) PRIMARY
  - RPC 004 PEDESTRIAN HEAD
- TRAFFIC SIGNAL EQUIPMENT:**
- POLE (STANDARD HEIGHT)
  - TALL POLE (CCTV/TRAFFIC SIGNALS)
  - POLE NUMBER
  - PUSH BUTTON UNIT
  - PAN / TILT / ZOOM CCTV CAMERA
- GENERAL:**
- SITE BOUNDARY LINE
  - TEMPORARY LAND ACQUISITION

INDICATIVE METHOD OF CONTROL



\* DENOTES FLASHING AMBER

**Disclaimer**  
 a. © National Transport Authority (NTA) 2022. This drawing is confidential and the copyright in it is owned by NTA. This drawing must not be either loaned, copied or otherwise reproduced in whole or in part or used for any purpose without the prior permission of NTA.  
 b. This drawing is to be used for the design element identified in the titlebox. Other information shown is to be considered indicative only. The drawing is to be read in conjunction with all other relevant design drawings.  
 c. O.S. data used for plans are printed under © Ordnance Survey Ireland Government of Ireland. All rights reserved. Licence Number 2022/OSI\_NMA\_180 National Transport Authority. All elevations are in metres and relate to OSI Geoid Model (OSGM15) Mean Head. All Co-ordinates are in Irish

Transverse Mercator Grid (ITM) as defined by OSI active local GPS station.  
 d. Information concerning the position of apparatus shown on this drawing is based on drawings supplied by the utility owners and/or the utility works contractor, whilst every care has been taken in the preparation of this drawing, positions should be taken as approximate and are intended for general guidance only and no representation is made by the NTA as to the accuracy, completeness, sufficiency or otherwise of this drawing and the position of the apparatus. The information contained herein does not purport to be comprehensive or final as the apparatus is subject to being altered and/or superceded. Recipients should not rely on this information. Any liabilities are hereby expressly disclaimed.

The information contained herein has been provided by the NTA but does not purport to be comprehensive or final. Recipients should not rely on the information. Neither the NTA nor any of its directors, officers, employees, agents, stakeholders or advisers make any representation or warranty as to, or accept any liability or responsibility in relation to, the adequacy, accuracy, reasonableness or completeness of the information provided as part of this document or any matter on which the information is based (including but not limited to loss or damage arising as a result of reliance by recipients on the information or any part of it). Any liabilities are hereby expressly disclaimed.

Rev	Date	Drm	Chk'd	App'd	Description
M01	13/05/2022	DS	EE	SMG	ISSUE FOR PHASE 4 : PLANNING



Client: **NTA** Údarás Náisiúnta Iompair National Transport Authority

Date: 13/05/2022 Scale: 1:250 @ A1, 1:500 @ A3

Engineering Designer: **IROD** TYPSA

Drawn: DS, Checked: EE, Approved: SMG

Programme Code: BCIDD, Originator Code: ROT, QMS Code:

Programme Title: **BUSCONNECTS DUBLIN CORE BUS CORRIDORS INFRASTRUCTURE WORKS**

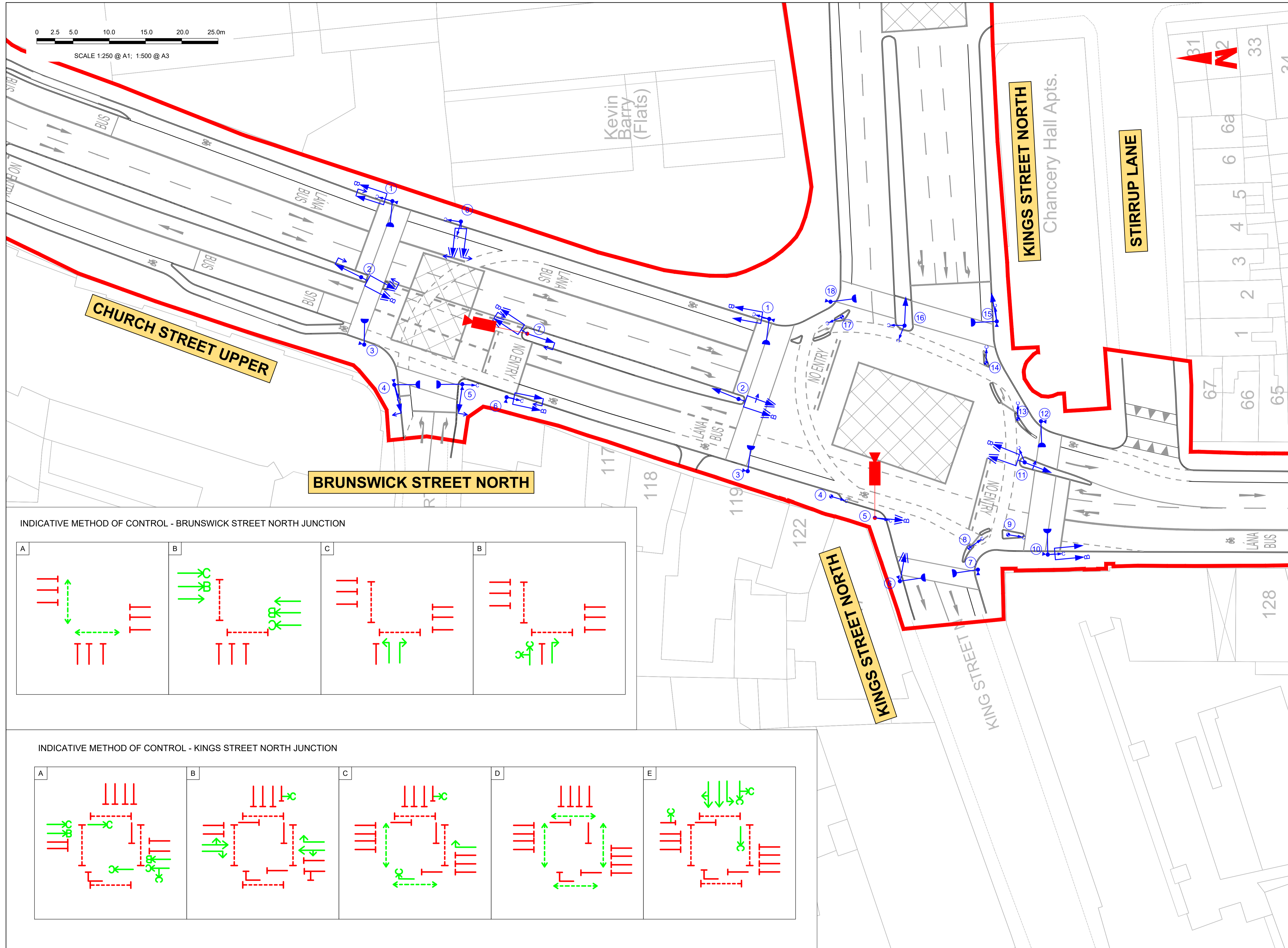
Drawing Title: BALLYMUN / FINGLAS TO CITY CENTRE CORE BUS CORRIDOR SCHEME JUNCTION SYSTEM DESIGN WESTERN WAY / BROADSTONE

Drawing File Name: BCIDD-ROT-TSM\_SJ-0304\_XX\_00-DR-CR-0023

Sheet Number: 23 of 38, Status: A, Rev: M01



SCALE 1:250 @ A1; 1:500 @ A3



**LEGEND:**

**TRAFFIC SIGNAL HEADS:**

- RTS 001 PRIMARY
- RTS 001 SECONDARY
- RTS 002 PRIMARY
- RTS 002 SECONDARY
- RTS 003 (RUS 012) PRIMARY
- RTS 003 (RUS 012) SECONDARY
- RTS 007 (LOW LEVEL) PRIMARY
- RPC 004 PEDESTRIAN HEAD

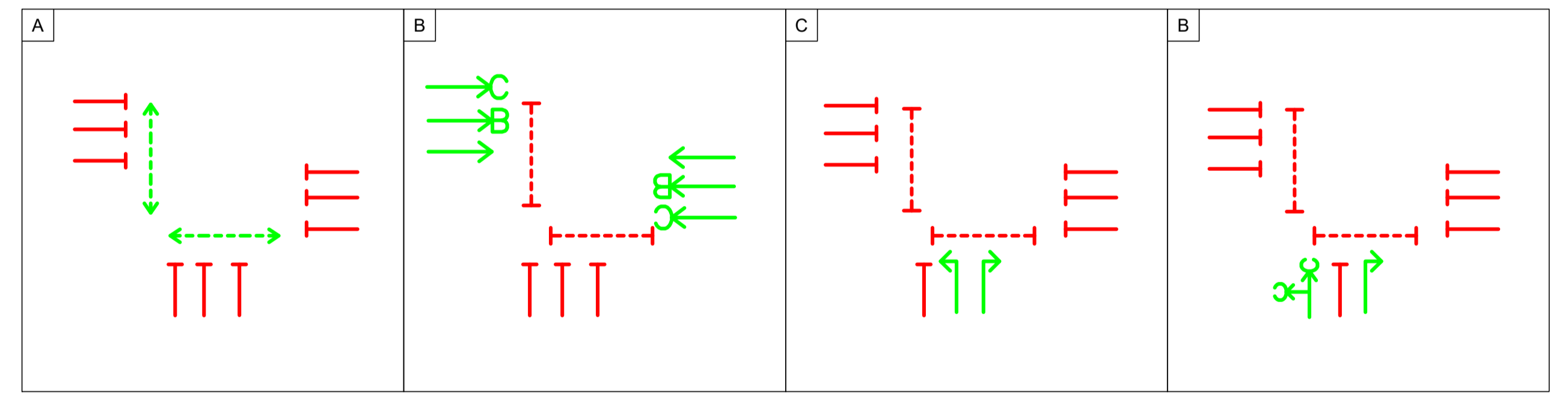
**TRAFFIC SIGNAL EQUIPMENT:**

- POLE (STANDARD HEIGHT)
- TALL POLE (CCTV/TRAFFIC SIGNALS)
- POLE NUMBER
- PUSH BUTTON UNIT
- PAN / TILT / ZOOM CCTV CAMERA

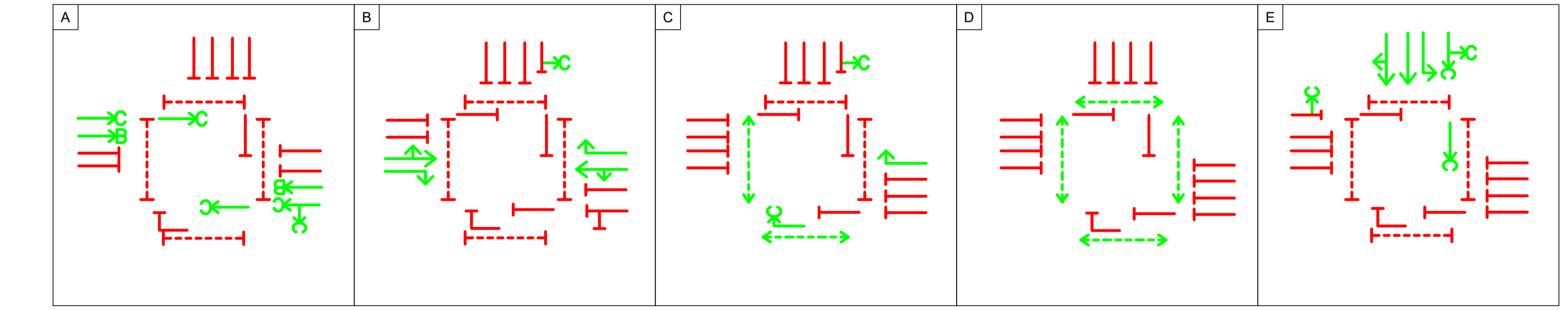
**GENERAL:**

- SITE BOUNDARY LINE
- TEMPORARY LAND ACQUISITION

INDICATIVE METHOD OF CONTROL - BRUNSWICK STREET NORTH JUNCTION



INDICATIVE METHOD OF CONTROL - KINGS STREET NORTH JUNCTION



**Disclaimer**

a. © National Transport Authority (NTA) 2022. This drawing is confidential and the copyright in it is owned by NTA. This drawing must not be either loaned, copied or otherwise reproduced in whole or in part or used for any purpose without the prior permission of NTA.

b. This drawing is to be used for the design element identified in the titlebox. Other information shown is to be considered indicative only. The drawing is to be read in conjunction with all other relevant design drawings.

c. O.S. data used for plans are printed under © Ordnance Survey Ireland Government of Ireland. All rights reserved. Licence Number 2022/OSI\_NMA\_180 National Transport Authority. All elevations are in metres and relate to OSI Geoid Model (OSGM15) Mean Head. All Co-ordinates are in Irish Transverse Mercator Grid (ITM) as defined by OSI active local GPS station.

d. Information concerning the position of apparatus shown on this drawing is based on drawings supplied by the utility owners and/or the utility works contractor, whilst every care has been taken in the preparation of this drawing, positions should be taken as approximate and are intended for general guidance only and no representation is made by the NTA as to the accuracy, completeness, sufficiency or otherwise of this drawing and the position of the apparatus. The information contained herein does not purport to be comprehensive or final as the apparatus is subject to being altered and/or superceded. Recipients should not rely on this information. Any liabilities are hereby expressly disclaimed.

e. The information contained herein has been provided by the NTA but does not purport to be comprehensive or final. Recipients should not rely on the information. Neither the NTA nor any of its directors, officers, employees, agents, stakeholders or advisers make any representation or warranty as to, or accept any liability or responsibility in relation to, the adequacy, accuracy, reasonableness or completeness of the information provided as part of this document or any matter on which the information is based (including but not limited to loss or damage arising as a result of reliance by recipients on the information or any part of it). Any liabilities are hereby expressly disclaimed.

Rev	Date	Drm	Chk'd	App'd	Description
M01	13/05/2022	DS	EE	SMG	ISSUE FOR PHASE 4 : PLANNING

Client: **NTA** Údarás Náisiúnta Iompair National Transport Authority

Engineering Designer: **PROD** TYPSA

Date: 13/05/2022 Scale: 1:250 @ A1 1:500 @ A3

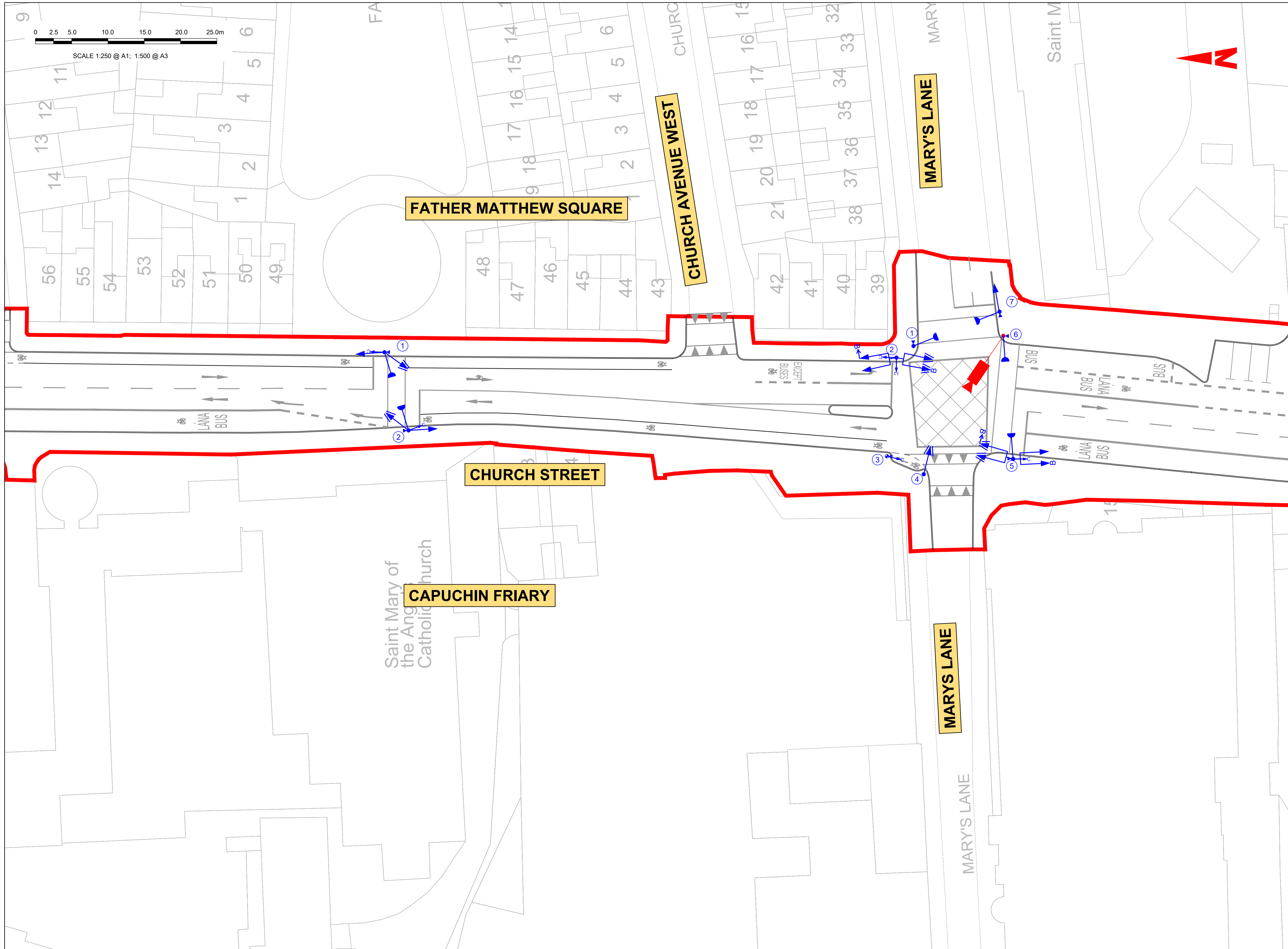
Drawn: DS Checked: EE Approved: SMG

Programme Code: BCIDD Originator Code: ROT QMS Code:

Programme Title: **BUSCONNECTS DUBLIN CORE BUS CORRIDORS INFRASTRUCTURE WORKS**

Drawing Title: BALLYMUN / FINGLAS TO CITY CENTRE CORE BUS CORRIDOR SCHEME JUNCTION SYSTEM DESIGN BRUNSWICK STREET / CHURCH STREET UPPER & KING STREET NORTH / CHURCH STREET

Drawing File Name: BCIDD-ROT-TSM\_SJ-0304\_XX\_00-DR-CR-0024 Sheet Number: 24 of 38 Status: A Rev: M01



- LEGEND:**
- TRAFFIC SIGNAL HEADS:**
- RTS 001 PRIMARY
  - RTS 001 SECONDARY
  - RTS 002 PRIMARY
  - RTS 002 SECONDARY
  - RTS 003 (RUS 012) PRIMARY
  - RTS 003 (RUS 012) SECONDARY
  - RTS 007 (LOW LEVEL) PRIMARY
  - RPC 004 PEDESTRIAN HEAD
- TRAFFIC SIGNAL EQUIPMENT:**
- POLE (STANDARD HEIGHT)
  - TALL POLE (CCTV/TRAFFIC SIGNALS)
  - POLE NUMBER
  - PUSH BUTTON UNIT
  - PAN / TILT / ZOOM CCTV CAMERA
- GENERAL:**
- SITE BOUNDARY LINE
  - TEMPORARY LAND ACQUISITION

**Disclaimer**

a. © National Transport Authority (NTA) 2022. This drawing is confidential and the copyright in it is owned by NTA. This drawing must not be either loaned, copied or otherwise reproduced in whole or in part or used for any purpose without the prior permission of NTA.

b. This drawing is to be used for the design element identified in the titlebox. Other information shown is to be considered indicative only. The drawing is to be read in conjunction with all other relevant design drawings.

c. O.S. data used for plans are printed under © Ordnance Survey Ireland Government of Ireland. All rights reserved. Licence Number 2022/OSI\_NMA\_180 National Transport Authority. All elevations are in metres and relate to OSI Geoid Model (OSGM15) Mean Head. All Co-ordinates are in Irish Transverse Mercator Grid (ITM) as defined by OSI active local GPS station.

d. Information concerning the position of apparatus shown on this drawing is based on drawings supplied by the utility owners and/or the utility works contractor, whilst every care has been taken in the preparation of this drawing, positions should be taken as approximate and are intended for general guidance only and no representation is made by the NTA as to the accuracy, completeness, sufficiency or otherwise of this drawing and the position of the apparatus. The information contained herein does not purport to be comprehensive or final as the apparatus is subject to being altered and/or superceded. Recipients should not rely on this information. Any liabilities are hereby expressly disclaimed.

e. The information contained herein has been provided by the NTA but does not purport to be comprehensive or final. Recipients should not rely on the information. Neither the NTA nor any of its directors, officers, employees, agents, stakeholders or advisers make any representation or warranty as to, or accept any liability or responsibility in relation to, the adequacy, accuracy, reasonableness or completeness of the information provided as part of this document or any matter on which the information is based (including but not limited to loss or damage arising as a result of reliance by recipients on the information or any part of it). Any liabilities are hereby expressly disclaimed.

**Project Ireland 2040**  
Building Ireland's Future

Rev	Date	Drm	Chk'd	App'd	Description
M01	13/05/2022	DS	EE	SMG	ISSUE FOR PHASE 4 : PLANNING

Client: **NTA**  
Údarás Náisiúnta Iompair  
National Transport Authority

Engineering Designer: **FIROD**  
TYPSA

Date: 13/05/2022  
Scale: 1:250 @ A1  
1:500 @ A3

Drawn: DS  
Checked: EE  
Approved: SMG

Programme Code: BCIDD  
Originator Code: ROT  
QMS Code:

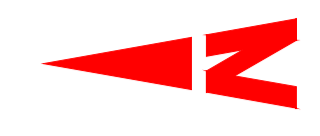
Programme Title: **BUSCONNECTS DUBLIN**  
**CORE BUS CORRIDORS INFRASTRUCTURE WORKS**

Drawing Title: **BALLYMUN / FINGLAS TO CITY CENTRE CORE BUS CORRIDOR SCHEME**  
JUNCTION SYSTEM DESIGN  
PEDESTRIAN CROSSINGS

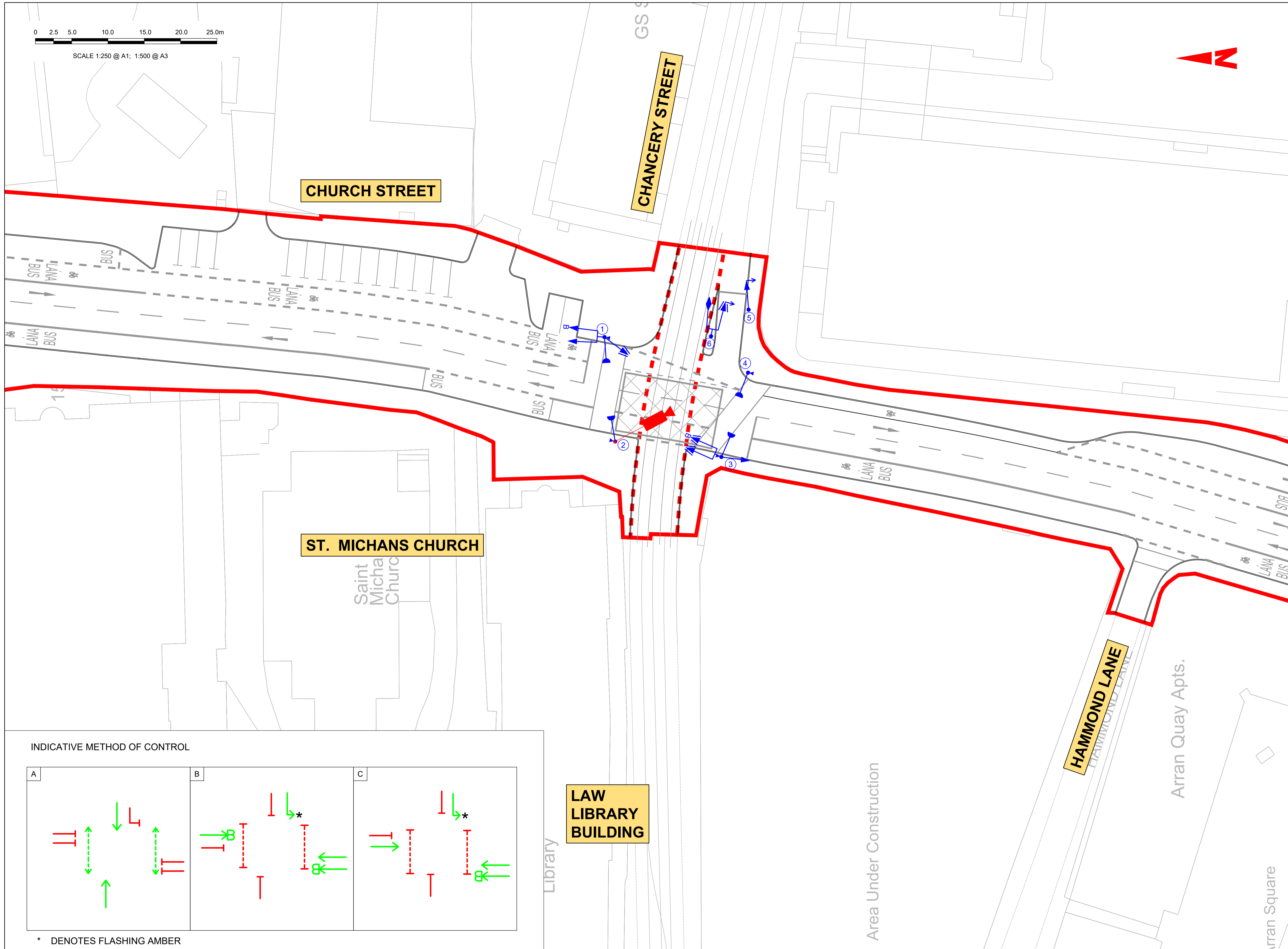
Drawing File Name: BCIDD-ROT-TSM\_SJ-0304\_XX\_00-DR-CR-0025  
Sheet Number: 25 of 38  
Status: A  
Rev: M01

0 2.5 5.0 10.0 15.0 20.0 25.0m

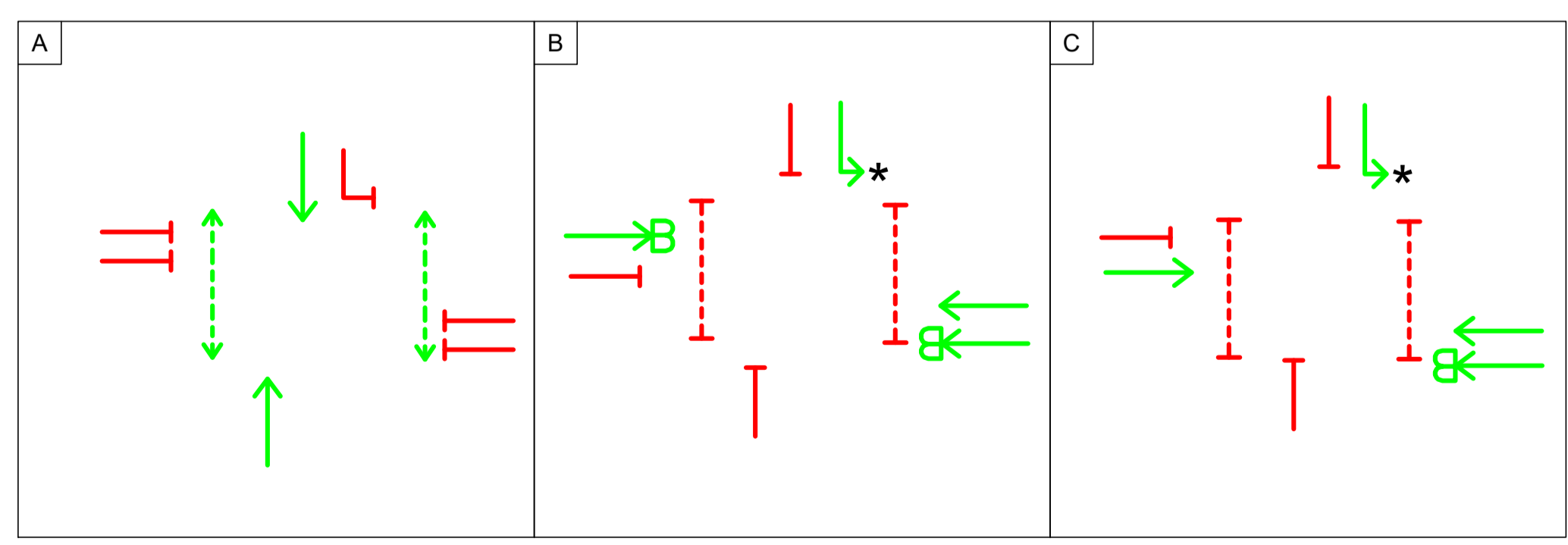
SCALE 1:250 @ A1; 1:500 @ A3



- LEGEND:**
- TRAFFIC SIGNAL HEADS:**
- RTS 001 PRIMARY
  - RTS 001 SECONDARY
  - RTS 002 PRIMARY
  - RTS 002 SECONDARY
  - RTS 003 (RUS 012) PRIMARY
  - RTS 003 (RUS 012) SECONDARY
  - RTS 007 (LOW LEVEL) PRIMARY
  - RPC 004 PEDESTRIAN HEAD
- TRAFFIC SIGNAL EQUIPMENT:**
- POLE (STANDARD HEIGHT)
  - TALL POLE (CCTV/TRAFFIC SIGNALS)
  - POLE NUMBER
  - PUSH BUTTON UNIT
  - PAN / TILT / ZOOM CCTV CAMERA
- GENERAL:**
- SITE BOUNDARY LINE
  - TEMPORARY LAND ACQUISITION



**INDICATIVE METHOD OF CONTROL**



\* DENOTES FLASHING AMBER

**Disclaimer**

a. © National Transport Authority (NTA) 2022. This drawing is confidential and the copyright in it is owned by NTA. This drawing must not be either loaned, copied or otherwise reproduced in whole or in part or used for any purpose without the prior permission of NTA.

b. This drawing is to be used for the design element identified in the titleblock. Other information shown is to be considered indicative only. The drawing is to be read in conjunction with all other relevant design drawings.

c. O.S. data used for plans are printed under © Ordnance Survey Ireland Government of Ireland. All rights reserved. Licence Number 2022/OSI\_NMA\_180 National Transport Authority. All elevations are in metres and relate to OSI Geoid Model (OSGM15) Mean Head. All Co-ordinates are in Irish Transverse Mercator Grid (ITM) as defined by OSI active local GPS station.

d. Information concerning the position of apparatus shown on this drawing is based on drawings supplied by the utility owners and/or the utility works contractor, whilst every care has been taken in the preparation of this drawing, positions should be taken as approximate and are intended for general guidance only and no representation is made by the NTA as to the accuracy, completeness, sufficiency or otherwise of this drawing and the position of the apparatus. The information contained herein does not purport to be comprehensive or final as the apparatus is subject to being altered and/or superceded. Recipients should not rely on this information. Any liabilities are hereby expressly disclaimed.

e. The information contained herein has been provided by the NTA but does not purport to be comprehensive or final. Recipients should not rely on the information. Neither the NTA nor any of its directors, officers, employees, agents, stakeholders or advisers make any representation or warranty as to, or accept any liability or responsibility in relation to, the adequacy, accuracy, reasonableness or completeness of the information provided as part of this document or any matter on which the information is based (including but not limited to loss or damage arising as a result of reliance by recipients on the information or any part of it). Any liabilities are hereby expressly disclaimed.

**Project Ireland 2040**  
Building Ireland's Future

Rev	Date	Drm	Chk'd	App'd	Description
M01	13/05/2022	DS	EE	SMG	ISSUE FOR PHASE 4 : PLANNING

Client: **NTA**  
Údarás Náisiúnta Iompair  
National Transport Authority

Engineering Designer: **CIROD**  
TYPSA

Date: 13/05/2022 | Scale: 1:250 @ A1, 1:500 @ A3 | Drawn: DS | Checked: EE | Approved: SMG

Programme Code: BCIDD | Originator Code: ROT | QMS Code:

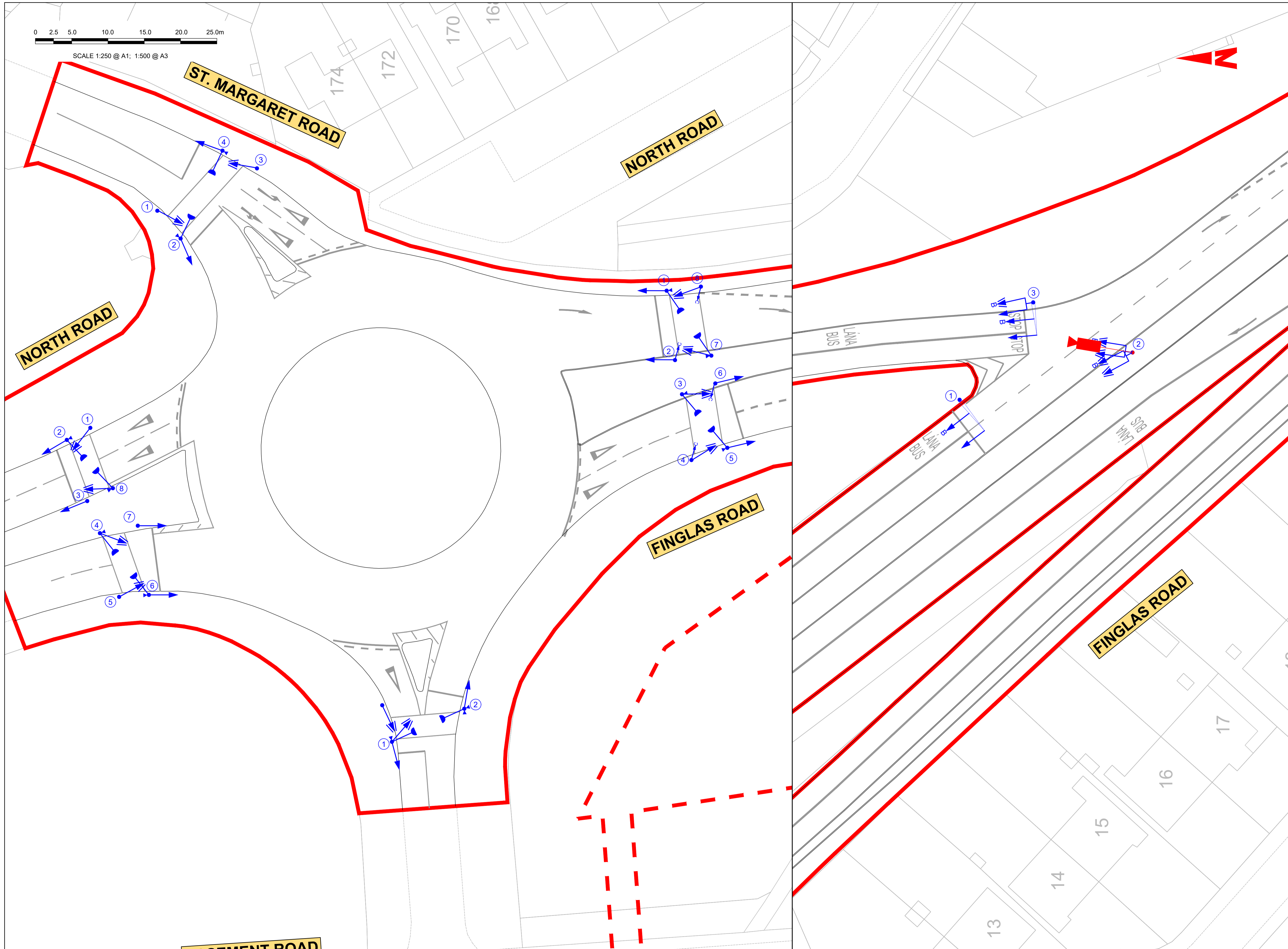
Programme Title: **BUSCONNECTS DUBLIN CORE BUS CORRIDORS INFRASTRUCTURE WORKS**

Drawing Title: **BALLYMUN / FINGLAS TO CITY CENTRE CORE BUS CORRIDOR SCHEME JUNCTION SYSTEM DESIGN CHANCERY / CHURCH STREET**

Drawing File Name: BCIDD-ROT-TSM\_SJ-0304\_XX\_00-DR-CR-0026 | Sheet Number: 26 of 38 | Status: A | Rev: M01



SCALE 1:250 @ A1; 1:500 @ A3



- LEGEND:**
- TRAFFIC SIGNAL HEADS:**
- RTS 001 PRIMARY
  - RTS 001 SECONDARY
  - RTS 002 PRIMARY
  - RTS 002 SECONDARY
  - RTS 003 (RUS 012) PRIMARY
  - RTS 003 (RUS 012) SECONDARY
  - RTS 007 (LOW LEVEL) PRIMARY
  - RPC 004 PEDESTRIAN HEAD
- TRAFFIC SIGNAL EQUIPMENT:**
- POLE (STANDARD HEIGHT)
  - TALL POLE (CCTV/TRAFFIC SIGNALS)
  - POLE NUMBER
  - PUSH BUTTON UNIT
  - PAN / TILT / ZOOM CCTV CAMERA
- GENERAL:**
- SITE BOUNDARY LINE
  - TEMPORARY LAND ACQUISITION

**Disclaimer**

a. © National Transport Authority (NTA) 2022. This drawing is confidential and the copyright in it is owned by NTA. This drawing must not be either loaned, copied or otherwise reproduced in whole or in part or used for any purpose without the prior permission of NTA.

b. This drawing is to be used for the design element identified in the titlebox. Other information shown is to be considered indicative only. The drawing is to be read in conjunction with all other relevant design drawings.

c. O.S. data used for plans are printed under © Ordnance Survey Ireland Government of Ireland. All rights reserved. Licence Number 2022/OSI\_NMA\_180 National Transport Authority. All elevations are in metres and relate to OSI Geoid Model (OSGM15) Mean Head. All Co-ordinates are in Irish

Transverse Mercator Grid (ITM) as defined by OSI active local GPS station.

d. Information concerning the position of apparatus shown on this drawing is based on drawings supplied by the utility owners and/or the utility works contractor, whilst every care has been taken in the preparation of this drawing, positions should be taken as approximate and are intended for general guidance only and no representation is made by the NTA as to the accuracy, completeness, sufficiency or otherwise of this drawing and the position of the apparatus. The information contained herein does not purport to be comprehensive or final as the apparatus is subject to being altered and/or superceded. Recipients should not rely on this information. Any liabilities are hereby expressly disclaimed.

e. The information contained herein has been provided by the NTA but does not purport to be comprehensive or final. Recipients should not rely on the information. Neither the NTA nor any of its directors, officers, employees, agents, stakeholders or advisers make any representation or warranty as to, or accept any liability or responsibility in relation to, the adequacy, accuracy, reasonableness or completeness of the information provided as part of this document or any matter on which the information is based (including but not limited to loss or damage arising as a result of reliance by recipients on the information or any part of it). Any liabilities are hereby expressly disclaimed.



Rev	Date	Drm	Chk'd	App'd	Description
M01	13/05/2022	DS	EE	SMG	ISSUE FOR PHASE 4 : PLANNING

Client: **NTA**  
Udarás Náisiúnta Iompair  
National Transport Authority

Engineering Designer: **CIROD**  
TYPSA

Date: 13/05/2022 Scale: 1:250 @ A1, 1:500 @ A3

Drawn: DS Checked: EE Approved: SMG

Programme Code: BCIDD Originator Code: ROT QMS Code:

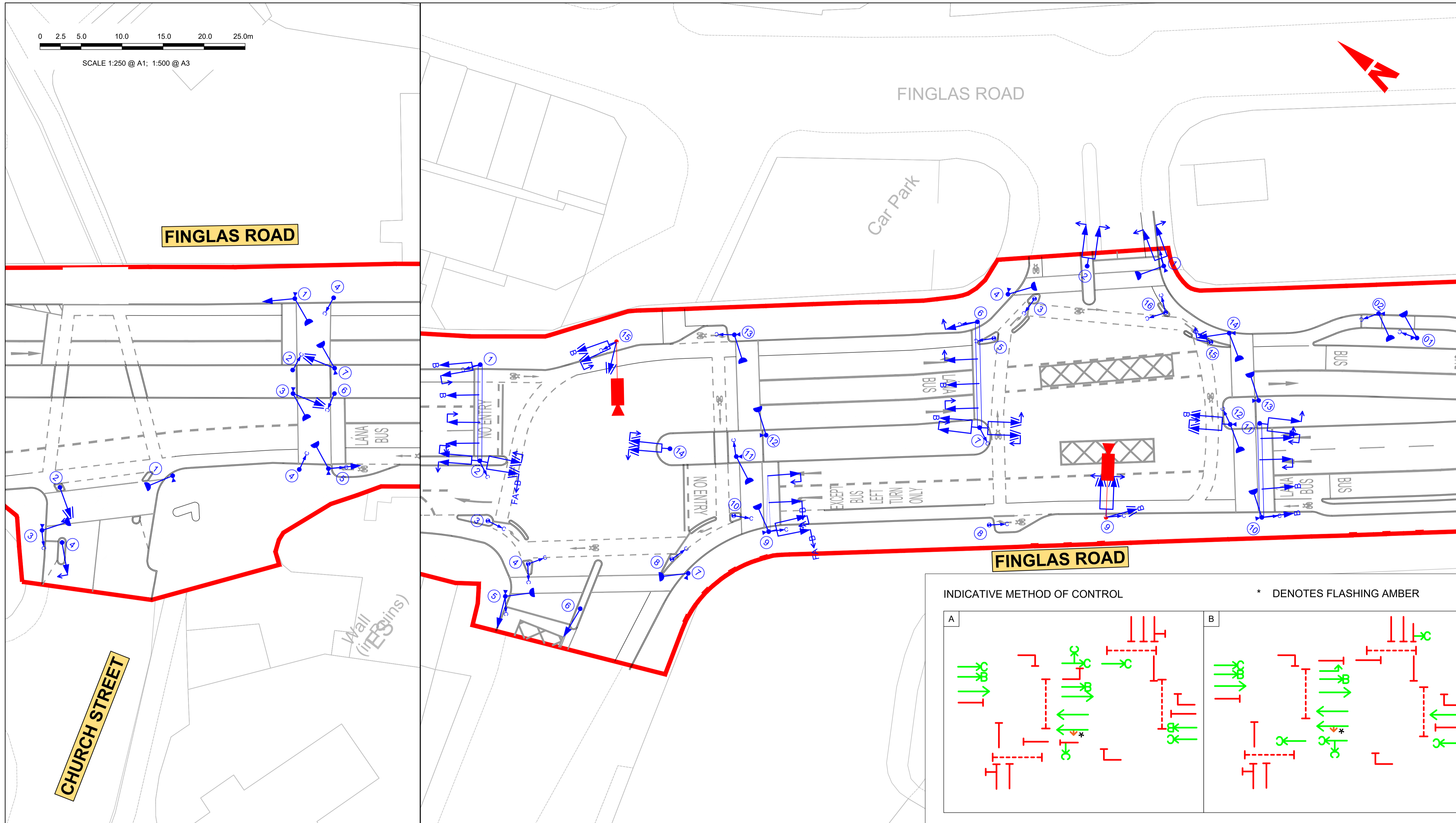
Programme Title: **BUSCONNECTS DUBLIN**  
**CORE BUS CORRIDORS INFRASTRUCTURE WORKS**

Drawing Title: **BALLYMUN / FINGLAS TO CITY CENTRE CORE BUS CORRIDOR SCHEME**  
JUNCTION SYSTEM DESIGN  
PEDESTRIAN & TOUCAN CROSSING

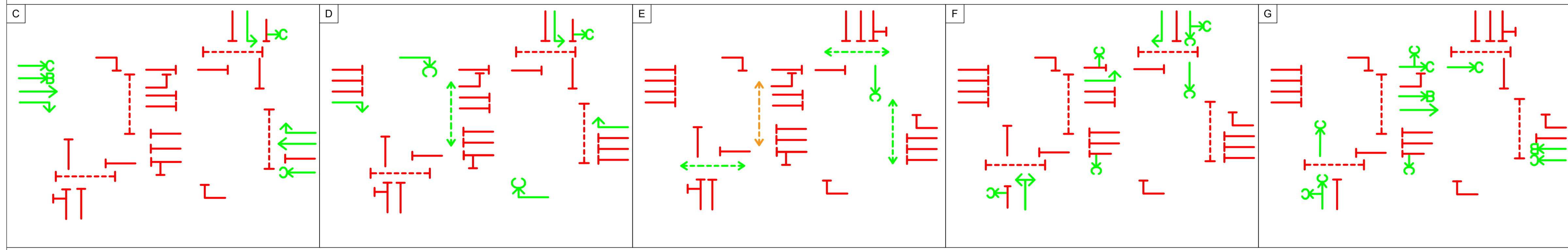
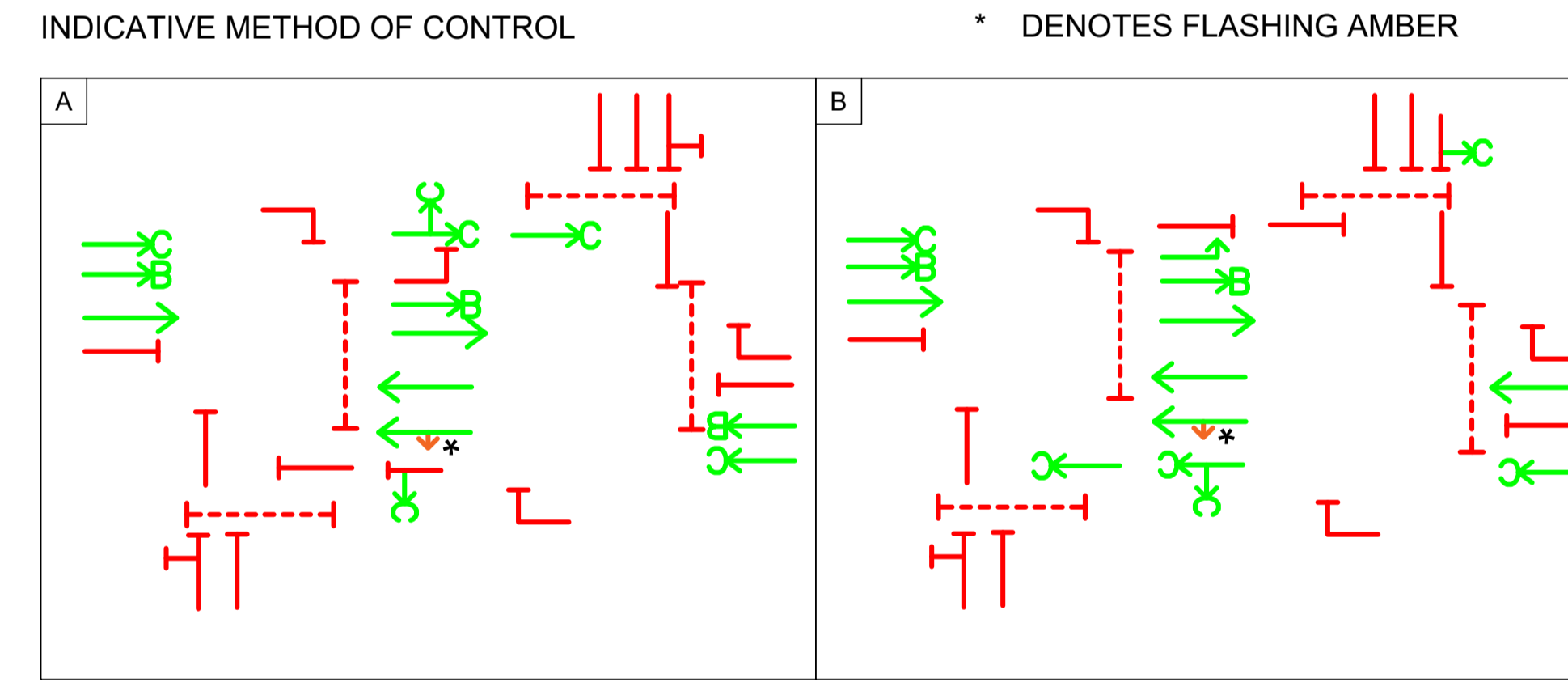
Drawing File Name: BCIDD-ROT-TSM\_SJ-0304\_XX\_00-DR-CR-0027 Sheet Number: 27 of 38 Status: A Rev: M01



SCALE 1:250 @ A1; 1:500 @ A3



- LEGEND:**
- TRAFFIC SIGNAL HEADS:**
- RTS 001 PRIMARY
  - RTS 001 SECONDARY
  - RTS 002 PRIMARY
  - RTS 002 SECONDARY
  - RTS 003 (RUS 012) PRIMARY
  - RTS 003 (RUS 012) SECONDARY
  - RTS 007 (LOW LEVEL) PRIMARY
  - RPC 004 PEDESTRIAN HEAD
- TRAFFIC SIGNAL EQUIPMENT:**
- POLE (STANDARD HEIGHT)
  - TALL POLE (CCTV/TRAFFIC SIGNALS)
  - POLE NUMBER
  - PUSH BUTTON UNIT
  - PAN / TILT / ZOOM CCTV CAMERA
- GENERAL:**
- SITE BOUNDARY LINE
  - TEMPORARY LAND ACQUISITION



**Disclaimer**  
 a. © National Transport Authority (NTA) 2022. This drawing is confidential and the copyright in it is owned by NTA. This drawing must not be either loaned, copied or otherwise reproduced in whole or in part or used for any purpose without the prior permission of NTA.  
 b. This drawing is to be used for the design element identified in the titleblock. Other information shown is to be considered indicative only. The drawing is to be read in conjunction with all other relevant design drawings.  
 c. O.S. data used for plans are printed under © Ordnance Survey Ireland Government of Ireland. All rights reserved. Licence Number 2022/OSI\_NMA\_180 National Transport Authority. All elevations are in metres and relate to OSI Geoid Model (OSGM15) Mean Head. All Co-ordinates are in Irish

Transverse Mercator Grid (ITM) as defined by OSI active local GPS station.  
 d. Information concerning the position of apparatus shown on this drawing is based on drawings supplied by the utility owners and/or the utility works contractor, whilst every care has been taken in the preparation of this drawing, positions should be taken as approximate and are intended for general guidance only and no representation is made by the NTA as to the accuracy, completeness, sufficiency or otherwise of this drawing and the position of the apparatus. The information contained herein does not purport to be comprehensive or final as the apparatus is subject to being altered and/or superceded. Recipients should not rely on this information. Any liabilities are hereby expressly disclaimed.

e. The information contained herein has been provided by the NTA but does not purport to be comprehensive or final. Recipients should not rely on the information. Neither the NTA nor any of its directors, officers, employees, agents, stakeholders or advisers make any representation or warranty as to, or accept any liability or responsibility in relation to, the adequacy, accuracy, reasonableness or completeness of the information provided as part of this document or any matter on which the information is based (including but not limited to loss or damage arising as a result of reliance by recipients on the information or any part of it). Any liabilities are hereby expressly disclaimed.

Rev	Date	Drm	Chk'd	App'd	Description
M01	13/05/2022	DS	EE	SMG	ISSUE FOR PHASE 4 : PLANNING



Client: **NTA**  
 Údarás Náisiúnta Iompair  
 National Transport Authority

Engineering Designer: **PROD**  
 TYPSA

Date: 13/05/2022 Scale: 1:250 @ A1, 1:500 @ A3  
 Drawn: DS Checked: EE Approved: SMG

Programme Code: BCIDD Originator Code: ROT QMS Code:

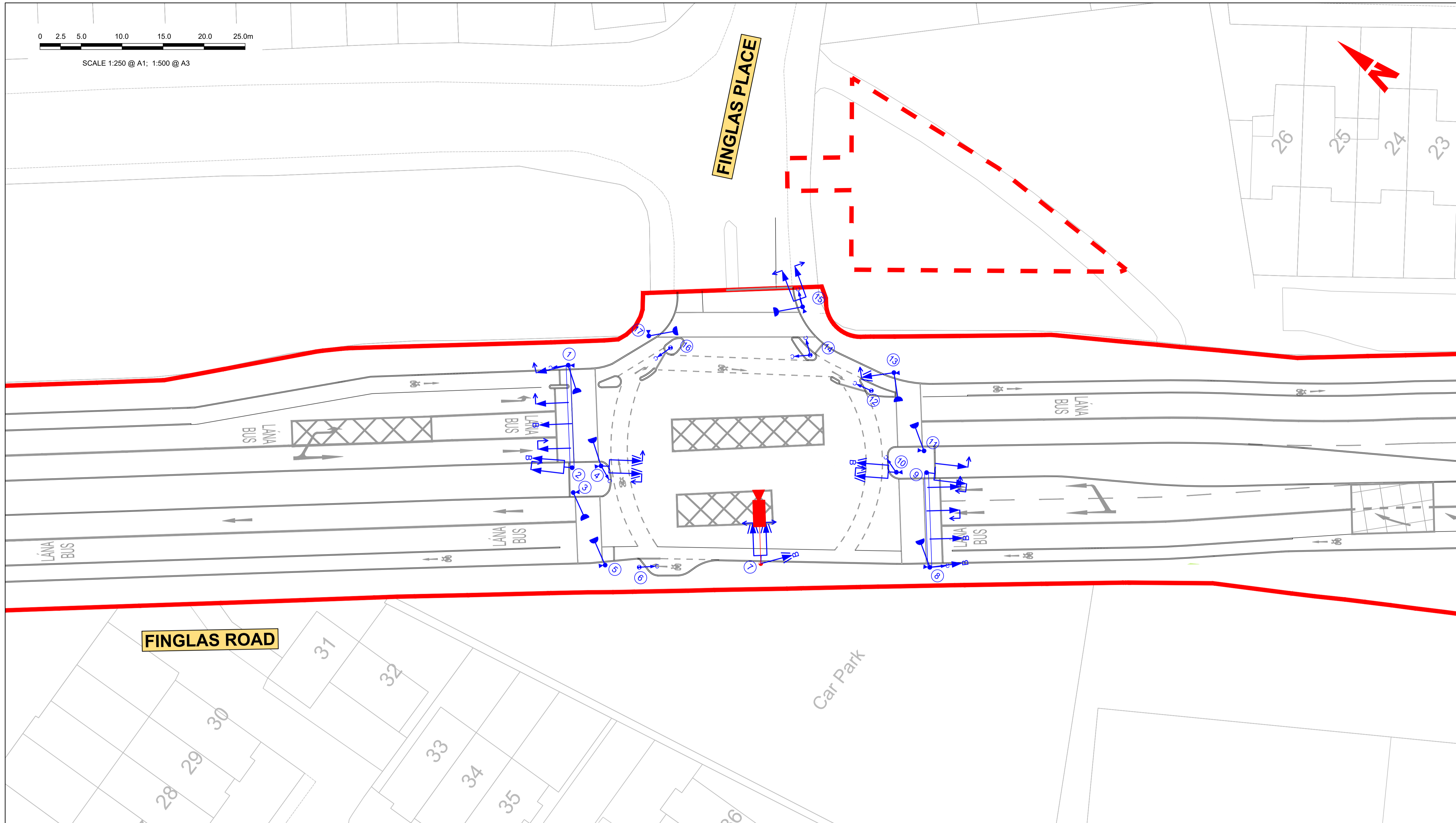
Programme Title: **BUSCONNECTS DUBLIN**  
**CORE BUS CORRIDORS INFRASTRUCTURE WORKS**

Drawing Title: **BALLYMUN / FINGLAS TO CITY CENTRE CORE BUS CORRIDOR SCHEME**  
**JUNCTION SYSTEM DESIGN**  
**TOUCAN CROSSING & WELLMOUNT ROAD / FINGLAS ROAD**

Drawing File Name: BCIDD-ROT-TSM\_SJ-0304\_XX\_00-DR-CR-0028 Sheet Number: 28 of 38 Status: A Rev: M01

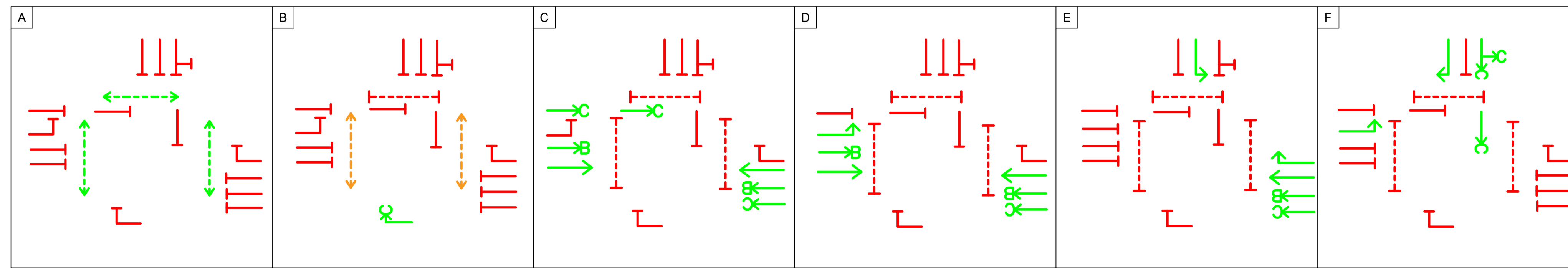
0 2.5 5.0 10.0 15.0 20.0 25.0m

SCALE 1:250 @ A1; 1:500 @ A3



- LEGEND:**
- TRAFFIC SIGNAL HEADS:**
- RTS 001 PRIMARY
  - RTS 001 SECONDARY
  - RTS 002 PRIMARY
  - RTS 002 SECONDARY
  - RTS 003 (RUS 012) PRIMARY
  - RTS 003 (RUS 012) SECONDARY
  - RTS 007 (LOW LEVEL) PRIMARY
  - RPC 004 PEDESTRIAN HEAD
- TRAFFIC SIGNAL EQUIPMENT:**
- POLE (STANDARD HEIGHT)
  - TALL POLE (CCTV/TRAFFIC SIGNALS)
  - POLE NUMBER
  - PUSH BUTTON UNIT
  - PAN / TILT / ZOOM CCTV CAMERA
- GENERAL:**
- SITE BOUNDARY LINE
  - TEMPORARY LAND ACQUISITION

**INDICATIVE METHOD OF CONTROL**



**Disclaimer**  
 a. © National Transport Authority (NTA) 2022. This drawing is confidential and the copyright in it is owned by NTA. This drawing must not be either loaned, copied or otherwise reproduced in whole or in part or used for any purpose without the prior permission of NTA.  
 b. This drawing is to be used for the design element identified in the titleblock. Other information shown is to be considered indicative only. The drawing is to be read in conjunction with all other relevant design drawings.  
 c. O.S. data used for plans are printed under © Ordnance Survey Ireland Government of Ireland. All rights reserved. Licence Number 2022/OSI\_NMA\_180 National Transport Authority. All elevations are in metres and relate to OSI Geoid Model (OSGM15) Mean Head. All Co-ordinates are in Irish

Transverse Mercator Grid (ITM) as defined by OSI active local GPS station.  
 d. Information concerning the position of apparatus shown on this drawing is based on drawings supplied by the utility owners and/or the utility works contractor, whilst every care has been taken in the preparation of this drawing, positions should be taken as approximate and are intended for general guidance only and no representation is made by the NTA as to the accuracy, completeness, sufficiency or otherwise of this drawing and the position of the apparatus. The information contained herein does not purport to be comprehensive or final as the apparatus is subject to being altered and/or superceded. Recipients should not rely on this information. Any liabilities are hereby expressly disclaimed.

e. The information contained herein has been provided by the NTA but does not purport to be comprehensive or final. Recipients should not rely on the information. Neither the NTA nor any of its directors, officers, employees, agents, stakeholders or advisers make any representation or warranty as to, or accept any liability or responsibility in relation to, the adequacy, accuracy, reasonableness or completeness of the information provided as part of this document or any matter on which the information is based (including but not limited to loss or damage arising as a result of reliance by recipients on the information or any part of it). Any liabilities are hereby expressly disclaimed.



Rev	Date	Drm	Chk'd	App'd	Description
M01	13/05/2022	DS	EE	SMG	ISSUE FOR PHASE 4 : PLANNING

Client  
**NTA**  
 Údarás Náisiúnta Iompair  
 National Transport Authority

Engineering Designer  
**FIROD**  
 TYPSA

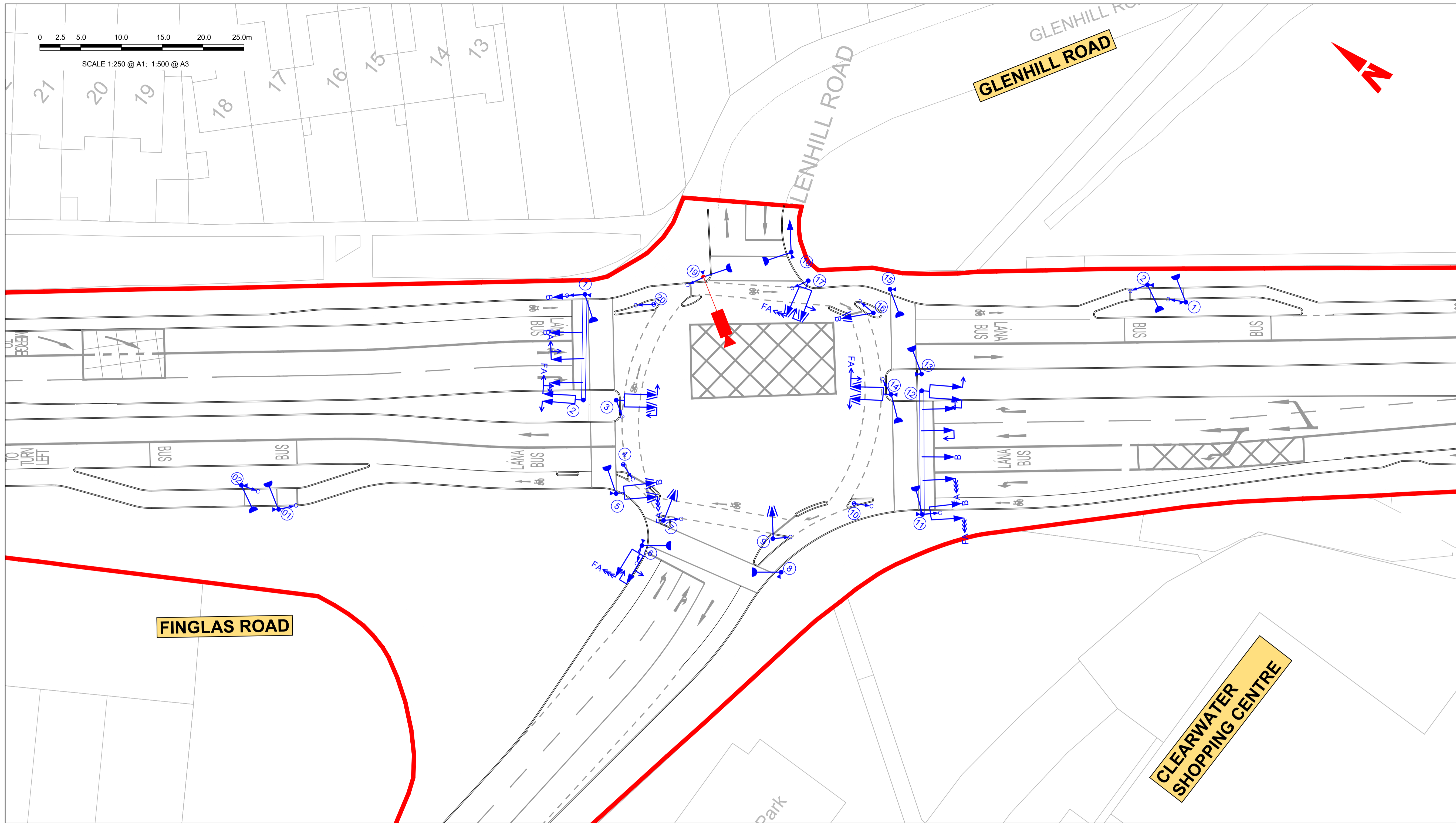
Date	Scale	Drawn	Checked	Approved
13/05/2022	1:250 @ A1 1:500 @ A3	DS	EE	SMG

Programme Title  
**BUSCONNECTS DUBLIN**  
**CORE BUS CORRIDORS INFRASTRUCTURE WORKS**

Drawing Title  
 BALLYMUN / FINGLAS TO CITY CENTRE CORE BUS CORRIDOR SCHEME  
 JUNCTION SYSTEM DESIGN  
 FINGLAS PLACE / FINGLAS ROAD

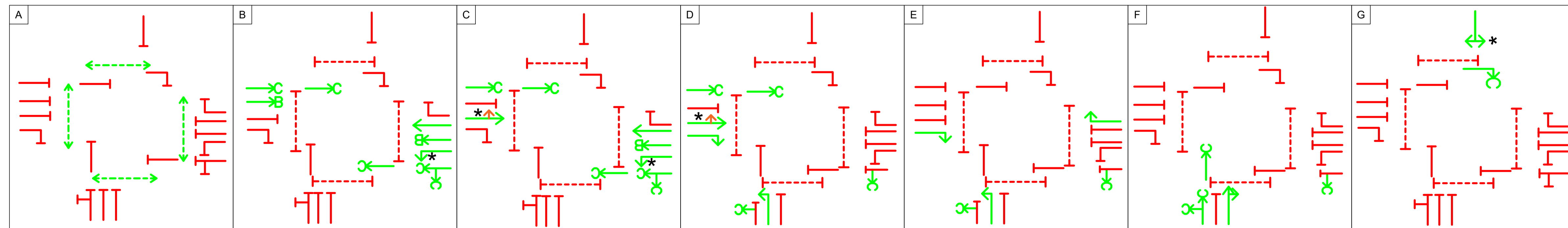
Drawing File Name	Sheet Number	Status	Rev
BCIDD-ROT-TSM_SJ-0304_XX_00-DR-CR-0029	29 of 38	A	M01





- LEGEND:**
- TRAFFIC SIGNAL HEADS:**
- RTS 001 PRIMARY
  - RTS 001 SECONDARY
  - RTS 002 PRIMARY
  - RTS 002 SECONDARY
  - RTS 003 (RUS 012) PRIMARY
  - RTS 003 (RUS 012) SECONDARY
  - RTS 007 (LOW LEVEL) PRIMARY
  - RPC 004 PEDESTRIAN HEAD
- TRAFFIC SIGNAL EQUIPMENT:**
- POLE (STANDARD HEIGHT)
  - TALL POLE (CCTV/TRAFFIC SIGNALS)
  - POLE NUMBER
  - PUSH BUTTON UNIT
  - PAN / TILT / ZOOM CCTV CAMERA
- GENERAL:**
- SITE BOUNDARY LINE
  - TEMPORARY LAND ACQUISITION

**INDICATIVE METHOD OF CONTROL**



\* DENOTES FLASHING AMBER

**Disclaimer**

a. © National Transport Authority (NTA) 2022. This drawing is confidential and the copyright in it is owned by NTA. This drawing must not be either loaned, copied or otherwise reproduced in whole or in part or used for any purpose without the prior permission of NTA.

b. This drawing is to be used for the design element identified in the titlebox. Other information shown is to be considered indicative only. The drawing is to be read in conjunction with all other relevant design drawings.

c. O.S. data used for plans are printed under © Ordnance Survey Ireland Government of Ireland. All rights reserved. Licence Number 2022/OSI\_NMA\_180 National Transport Authority. All elevations are in metres and relate to OSI Geoid Model (OSGM15) Mean Head. All Co-ordinates are in Irish Transverse Mercator Grid (ITM) as defined by OSI active local GPS station.

d. Information concerning the position of apparatus shown on this drawing is based on drawings supplied by the utility owners and/or the utility works contractor, whilst every care has been taken as appropriate and are intended for general guidance only and no representation is made by the NTA as to the accuracy, completeness, sufficiency or otherwise of this drawing and the position of the apparatus. The information contained herein does not purport to be comprehensive or final as the apparatus is subject to being altered and/or superceded. Recipients should not rely on this information. Any liabilities are hereby expressly disclaimed.

e. The information contained herein has been provided by the NTA but does not purport to be comprehensive or final. Recipients should not rely on the information. Neither the NTA nor any of its directors, officers, employees, agents, stakeholders or advisers make any representation or warranty as to, or accept any liability or responsibility in relation to, the adequacy, accuracy, reasonableness or completeness of the information provided as part of this document or any matter on which the information is based (including but not limited to loss or damage arising as a result of reliance by recipients on the information or any part of it). Any liabilities are hereby expressly disclaimed.

Rev	Date	Drm	Chk'd	App'd	Description
M01	13/05/2022	DS	EE	SMG	ISSUE FOR PHASE 4 : PLANNING

Client: **NTA**  
Údarás Náisiúnta Iompair  
National Transport Authority

Engineering Designer: **CIROD**  
TYPSA

Date: 13/05/2022 | Scale: 1:250 @ A1, 1:500 @ A3 | Drawn: DS | Checked: EE | Approved: SMG

Programme Code: BCIDD | Originator Code: ROT | QMS Code:

Programme Title: **BUSCONNECTS DUBLIN**  
**CORE BUS CORRIDORS INFRASTRUCTURE WORKS**

Drawing Title: BALLYMUN / FINGLAS TO CITY CENTRE CORE BUS CORRIDOR SCHEME  
JUNCTION SYSTEM DESIGN  
GLENHILL ROAD / FINGLAS ROAD

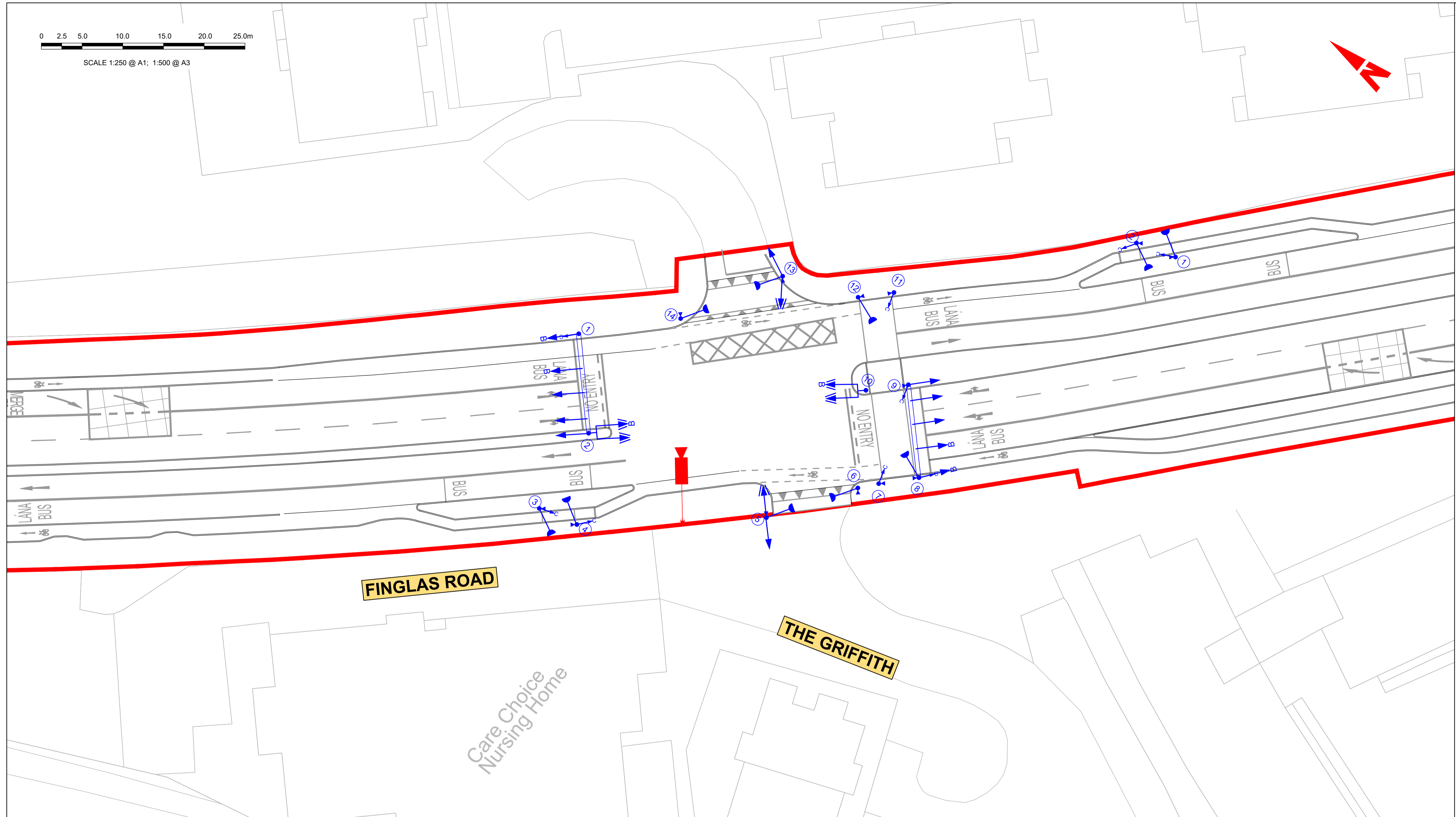
Drawing File Name: BCIDD-ROT-TSM\_SJ-0304\_XX\_00-DR-CR-0030 | Sheet Number: 30 of 38 | Status: A | Rev: M01



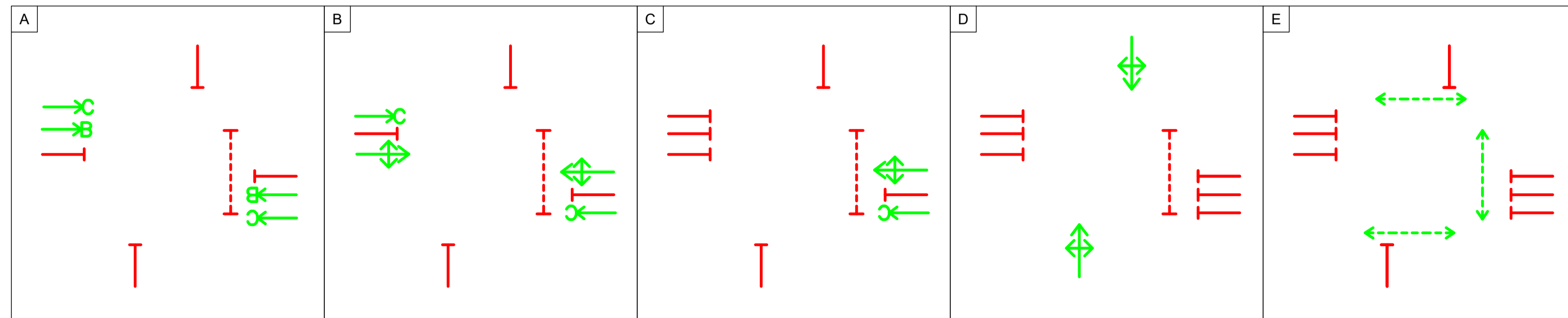
SCALE 1:250 @ A1; 1:500 @ A3

LEGEND:

- TRAFFIC SIGNAL HEADS:**
- RTS 001 PRIMARY
  - RTS 001 SECONDARY
  - RTS 002 PRIMARY
  - RTS 002 SECONDARY
  - RTS 003 (RUS 012) PRIMARY
  - RTS 003 (RUS 012) SECONDARY
  - RTS 007 (LOW LEVEL) PRIMARY
  - RPC 004 PEDESTRIAN HEAD
- TRAFFIC SIGNAL EQUIPMENT:**
- POLE (STANDARD HEIGHT)
  - TALL POLE (CCTV/TRAFFIC SIGNALS)
  - POLE NUMBER
  - PUSH BUTTON UNIT
  - PAN / TILT / ZOOM CCTV CAMERA
- GENERAL:**
- SITE BOUNDARY LINE
  - TEMPORARY LAND ACQUISITION



INDICATIVE METHOD OF CONTROL



**Disclaimer**  
 a. © National Transport Authority (NTA) 2022. This drawing is confidential and the copyright in it is owned by NTA. This drawing must not be either loaned, copied or otherwise reproduced in whole or in part or used for any purpose without the prior permission of NTA.  
 b. This drawing is to be used for the design element identified in the titlebox. Other information shown is to be considered indicative only. The drawing is to be read in conjunction with all other relevant design drawings.  
 c. O.S. data used for plans are printed under © Ordnance Survey Ireland Government of Ireland. All rights reserved. Licence Number 2022/OSI\_NMA\_180 National Transport Authority. All elevations are in metres and relate to OSI Geoid Model (OSGM15) Mean Head. All Co-ordinates are in Irish

Transverse Mercator Grid (ITM) as defined by OSI active local GPS station.  
 d. Information concerning the position of apparatus shown on this drawing is based on drawings supplied by the utility owners and/or the utility works contractor, whilst every care has been taken in the preparation of this drawing, positions should be taken as approximate and are intended for general guidance only and no representation is made by the NTA as to the accuracy, completeness, sufficiency or otherwise of this drawing and the position of the apparatus. The information contained herein does not purport to be comprehensive or final as the apparatus is subject to being altered and/or superceded. Recipients should not rely on this information. Any liabilities are hereby expressly disclaimed.

e. The information contained herein has been provided by the NTA but does not purport to be comprehensive or final. Recipients should not rely on the information. Neither the NTA nor any of its directors, officers, employees, agents, stakeholders or advisers make any representation or warranty as to, or accept any liability or responsibility in relation to, the adequacy, accuracy, reasonableness or completeness of the information provided as part of this document or any matter on which the information is based (including but not limited to loss or damage arising as a result of reliance by recipients on the information or any part of it). Any liabilities are hereby expressly disclaimed.



Rev	Date	Drm	Chk'd	App'd	Description
M01	13/05/2022	DS	EE	SMG	ISSUE FOR PHASE 4 : PLANNING

Client  
**NTA**  
 Údarás Náisiúnta Iompair  
 National Transport Authority

Engineering Designer  
**PROD**  
 TYPSA

Programme Title  
**BUSCONNECTS DUBLIN  
 CORE BUS CORRIDORS INFRASTRUCTURE WORKS**

Drawing Title  
 BALLYMUN / FINGLAS TO CITY CENTRE CORE BUS CORRIDOR SCHEME  
 JUNCTION SYSTEM DESIGN  
 THE GRIFFITH / FINGLAS ROAD

Date	Scale	Drawn	Checked	Approved
13/05/2022	1:250 @ A1 1:500 @ A3	DS	EE	SMG
Programme Code	Originator Code	QMS Code		
BCIDD	ROT			

Drawing File Name	Sheet Number	Status	Rev
BCIDD-ROT-TSM_SJ-0304_XX_00-DR-CR-0031	31 of 38	A	M01

DO NOT SCALE USE FIGURED DIMENSIONS ONLY

0 2.5 5.0 10.0 15.0 20.0 25.0m

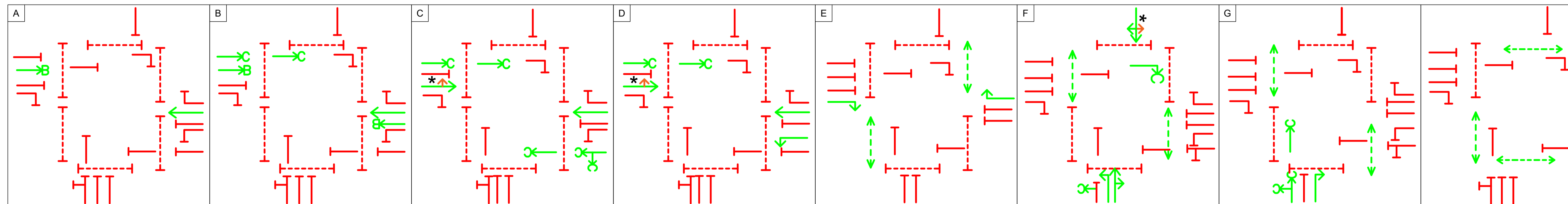
SCALE 1:250 @ A1; 1:500 @ A3

**CRAIGIE COURT**



- LEGEND:**
- TRAFFIC SIGNAL HEADS:**
- RTS 001 PRIMARY
  - RTS 001 SECONDARY
  - RTS 002 PRIMARY
  - RTS 002 SECONDARY
  - RTS 003 (RUS 012) PRIMARY
  - RTS 003 (RUS 012) SECONDARY
  - RTS 007 (LOW LEVEL) PRIMARY
  - RPC 004 PEDESTRIAN HEAD
- TRAFFIC SIGNAL EQUIPMENT:**
- POLE (STANDARD HEIGHT)
  - TALL POLE (CCTV/TRAFFIC SIGNALS)
  - POLE NUMBER
  - PUSH BUTTON UNIT
  - PAN / TILT / ZOOM CCTV CAMERA
- GENERAL:**
- SITE BOUNDARY LINE
  - TEMPORARY LAND ACQUISITION

**INDICATIVE METHOD OF CONTROL**



\* DENOTES FLASHING AMBER

**Disclaimer**

a. © National Transport Authority (NTA) 2022. This drawing is confidential and the copyright in it is owned by NTA. This drawing must not be either loaned, copied or otherwise reproduced in whole or in part or used for any purpose without the prior permission of NTA.

b. This drawing is to be used for the design element identified in the titlebox. Other information shown is to be considered indicative only. The drawing is to be read in conjunction with all other relevant design drawings.

c. O.S. data used for plans are printed under © Ordnance Survey Ireland Government of Ireland. All rights reserved. Licence Number 2022/OSI\_NMA\_180 National Transport Authority. All elevations are in metres and relate to OSI Geoid Model (OSGM15) Mean Head. All Co-ordinates are in Irish Transverse Mercator Grid (ITM) as defined by OSI active local GPS station.

d. Information concerning the position of apparatus shown on this drawing is based on drawings supplied by the utility owners and/or the utility works contractor, whilst every care has been taken in the preparation of this drawing, positions should be taken as approximate and are intended for general guidance only and no representation is made by the NTA as to the accuracy, completeness, sufficiency or otherwise of this drawing and the position of the apparatus. The information contained herein does not purport to be comprehensive or final as the apparatus is subject to being altered and/or superseded. Recipients should not rely on this information. Any liabilities are hereby expressly disclaimed.

e. The information contained herein has been provided by the NTA but does not purport to be comprehensive or final. Recipients should not rely on the information. Neither the NTA nor any of its directors, officers, employees, agents, stakeholders or advisers make any representation or warranty as to, or accept any liability or responsibility in relation to, the adequacy, accuracy, reasonableness or completeness of the information provided as part of this document or any matter on which the information is based (including but not limited to loss or damage arising as a result of reliance by recipients on the information or any part of it). Any liabilities are hereby expressly disclaimed.

Rev	Date	Drm	Chk'd	App'd	Description
M01	13/05/2022	DS	EE	SMG	ISSUE FOR PHASE 4 : PLANNING

Client: **NTA**  
Údarás Náisiúnta Iompair  
National Transport Authority

Engineering Designer: **FIROD**  
TYPSA

Date: 13/05/2022 | Scale: 1:250 @ A1, 1:500 @ A3

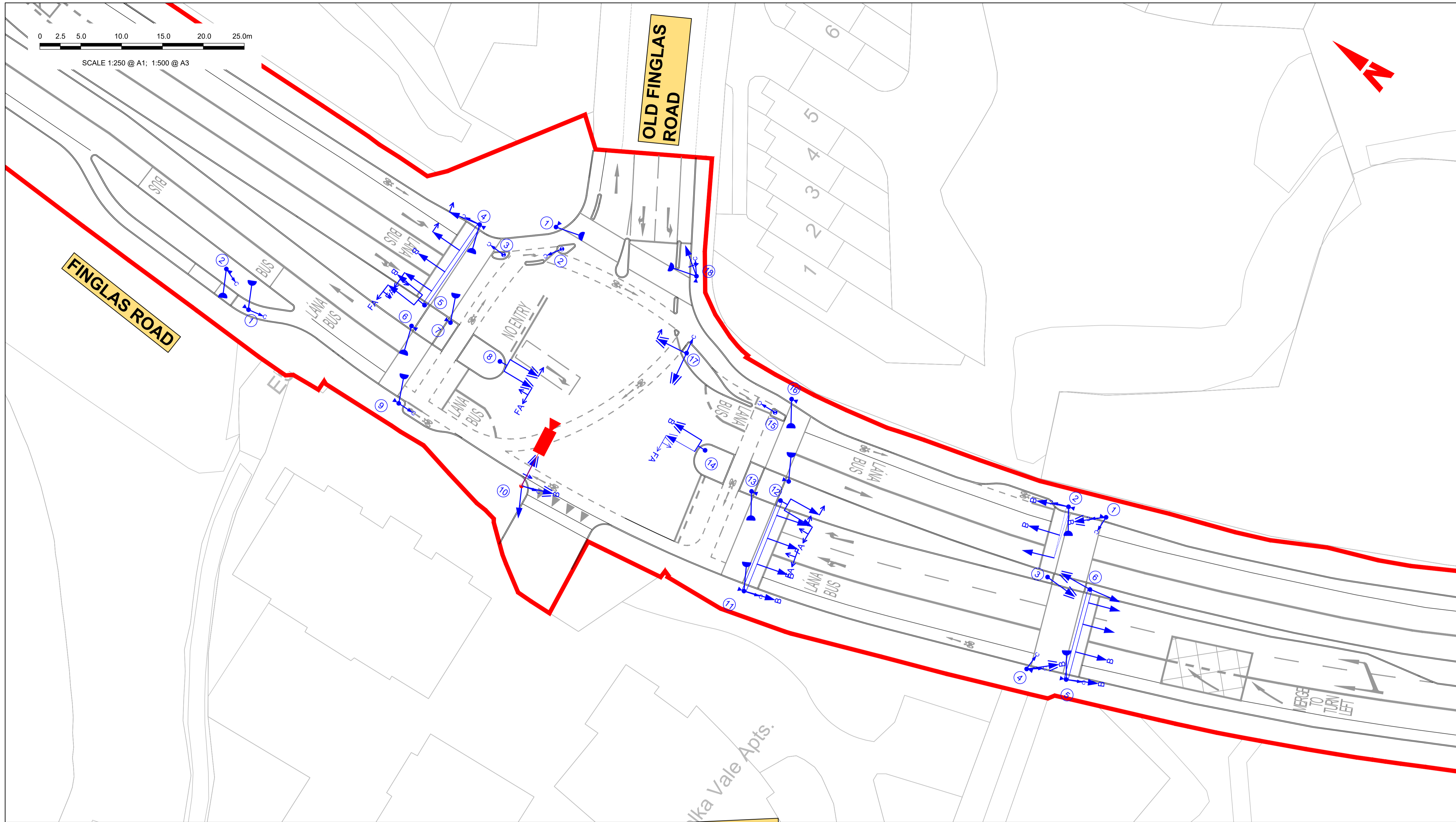
Drawn: DS | Checked: EE | Approved: SMG

Programme Code: BCIDD | Originator Code: ROT | QMS Code:

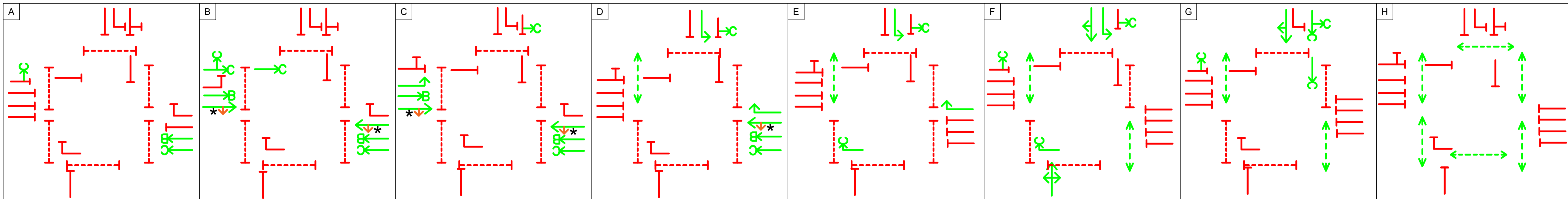
Programme Title: **BUSCONNECTS DUBLIN**  
**CORE BUS CORRIDORS INFRASTRUCTURE WORKS**

Drawing Title: **BALLYMUN / FINGLAS TO CITY CENTRE CORE BUS CORRIDOR SCHEME**  
JUNCTION SYSTEM DESIGN  
TOLKA VALLEY ROAD / FINGLAS ROAD

Drawing File Name: BCIDD-ROT-TSM\_SJ-0304\_XX\_00-DR-CR-0032 | Sheet Number: 32 of 38 | Status: A | Rev: M01



- LEGEND:**
- TRAFFIC SIGNAL HEADS:**
- RTS 001 PRIMARY
  - RTS 001 SECONDARY
  - RTS 002 PRIMARY
  - RTS 002 SECONDARY
  - RTS 003 (RUS 012) PRIMARY
  - RTS 003 (RUS 012) SECONDARY
  - RTS 007 (LOW LEVEL) PRIMARY
  - RPC 004 PEDESTRIAN HEAD
- TRAFFIC SIGNAL EQUIPMENT:**
- POLE (STANDARD HEIGHT)
  - TALL POLE (CCTV/TRAFFIC SIGNALS)
  - POLE NUMBER
  - PUSH BUTTON UNIT
  - PAN / TILT / ZOOM CCTV CAMERA
- GENERAL:**
- SITE BOUNDARY LINE
  - TEMPORARY LAND ACQUISITION



\* DENOTES FLASHING AMBER

**Disclaimer**

a. © National Transport Authority (NTA) 2022. This drawing is confidential and the copyright in it is owned by NTA. This drawing must not be either loaned, copied or otherwise reproduced in whole or in part or used for any purpose without the prior permission of NTA.

b. This drawing is to be used for the design element identified in the titleblock. Other information shown is to be considered indicative only. The drawing is to be read in conjunction with all other relevant design drawings.

c. O.S. data used for plans are printed under © Ordnance Survey Ireland Government of Ireland. All rights reserved. Licence Number 2022/OSI\_NMA\_180 National Transport Authority. All elevations are in metres and relate to OSI Geoid Model (OSGM15) Mean Head. All Co-ordinates are in Irish Transverse Mercator Grid (ITM) as defined by OSI active local GPS station.

d. Information concerning the position of apparatus shown on this drawing is based on drawings supplied by the utility owners and/or the utility works contractor, whilst every care has been taken in the preparation of this drawing, positions should be taken as approximate and are intended for general guidance only and no representation is made by the NTA as to the accuracy, completeness, sufficiency or otherwise of this drawing and the position of the apparatus. The information contained herein does not purport to be comprehensive or final as the apparatus is subject to being altered and/or superceded. Recipients should not rely on this information. Any liabilities are hereby expressly disclaimed.

e. The information contained herein has been provided by the NTA but does not purport to be comprehensive or final. Recipients should not rely on the information. Neither the NTA nor any of its directors, officers, employees, agents, stakeholders or advisers make any representation or warranty as to, or accept any liability or responsibility in relation to, the adequacy, accuracy, reasonableness or completeness of the information provided as part of this document or any matter on which the information is based (including but not limited to loss or damage arising as a result of reliance by recipients on the information or any part of it). Any liabilities are hereby expressly disclaimed.



Rev	Date	Drn	Chk'd	App'd	Description
M01	13/05/2022	DS	EE	SMG	ISSUE FOR PHASE 4 : PLANNING

Client: **NTA**  
Údarás Náisiúnta Iompair  
National Transport Authority

Engineering Designer: **CIROD**  
TYPSA

Date: 13/05/2022 | Scale: 1:250 @ A1, 1:500 @ A3 | Drawn: DS | Checked: EE | Approved: SMG

Programme Code: BCIDD | Originator Code: ROT | QMS Code:

Programme Title: **BUSCONNECTS DUBLIN**  
**CORE BUS CORRIDORS INFRASTRUCTURE WORKS**

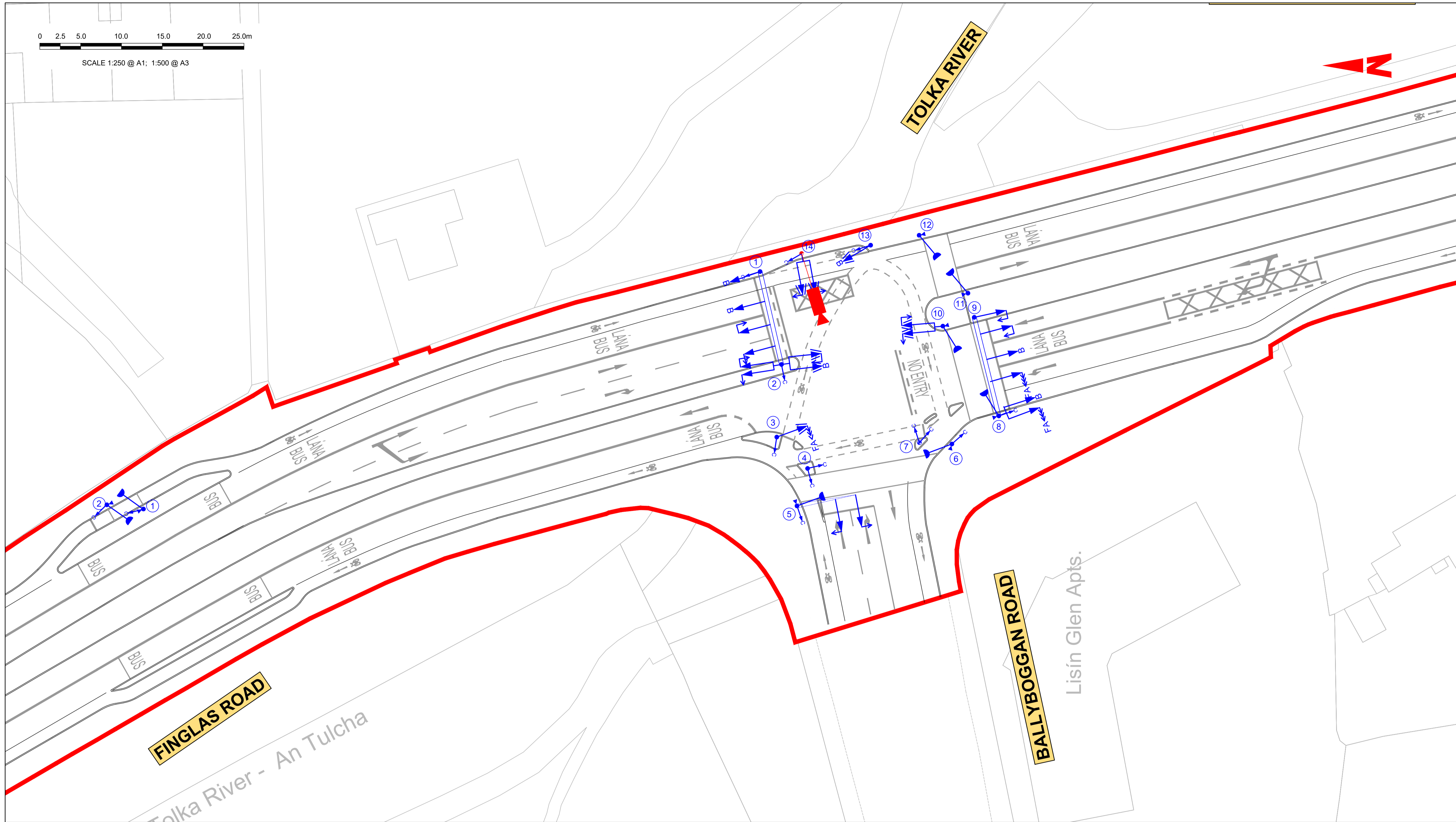
Drawing Title: BALLYMUN / FINGLAS TO CITY CENTRE CORE BUS CORRIDOR SCHEME  
JUNCTION SYSTEM DESIGN  
OLD FINGLAS ROAD / FINGLAS ROAD

Drawing File Name: BCIDD-ROT-TSM\_SJ-0304\_XX\_00-DR-CR-0033 | Sheet Number: 33 of 38 | Status: A | Rev: M01

DO NOT SCALE USE FIGURED DIMENSIONS ONLY

0 2.5 5.0 10.0 15.0 20.0 25.0m

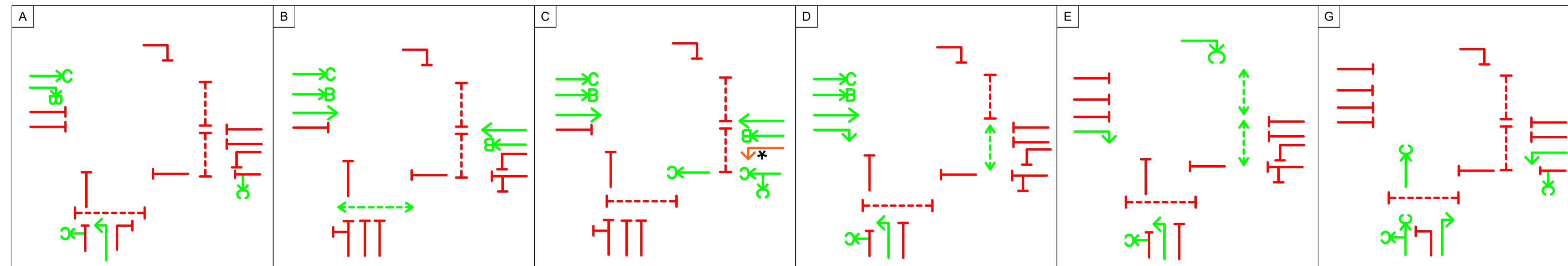
SCALE 1:250 @ A1; 1:500 @ A3



LEGEND:

- TRAFFIC SIGNAL HEADS:**
- RTS 001 PRIMARY
  - RTS 001 SECONDARY
  - RTS 002 PRIMARY
  - RTS 002 SECONDARY
  - RTS 003 (RUS 012) PRIMARY
  - RTS 003 (RUS 012) SECONDARY
  - RTS 007 (LOW LEVEL) PRIMARY
  - RPC 004 PEDESTRIAN HEAD
- TRAFFIC SIGNAL EQUIPMENT:**
- POLE (STANDARD HEIGHT)
  - TALL POLE (CCTV/TRAFFIC SIGNALS)
  - POLE NUMBER
  - PUSH BUTTON UNIT
  - PAN / TILT / ZOOM CCTV CAMERA
- GENERAL:**
- SITE BOUNDARY LINE
  - TEMPORARY LAND ACQUISITION

INDICATIVE METHOD OF CONTROL



\* DENOTES FLASHING AMBER

**Disclaimer**  
 a. © National Transport Authority (NTA) 2022. This drawing is confidential and the copyright in it is owned by NTA. This drawing must not be either loaned, copied or otherwise reproduced in whole or in part or used for any purpose without the prior permission of NTA.  
 b. This drawing is to be used for the design element identified in the titleblock. Other information shown is to be considered indicative only. The drawing is to be read in conjunction with all other relevant design drawings.  
 c. O.S. data used for plans are printed under © Ordnance Survey Ireland Government of Ireland. All rights reserved. Licence Number 2022/OSI\_NMA\_180 National Transport Authority. All elevations are in metres and relate to OSI Geoid Model (OSGM15) Mean Head. All Co-ordinates are in Irish Transverse Mercator Grid (ITM) as defined by OSI active local GPS station.  
 d. Information concerning the position of apparatus shown on this drawing is based on drawings supplied by the utility owners and/or the utility works contractor, whilst every care has been taken in the preparation of this drawing, positions should be taken as approximate and are intended for general guidance only and no representation is made by the NTA as to the accuracy, completeness, sufficiency or otherwise of this drawing and the position of the apparatus. The information contained herein does not purport to be comprehensive or final as the apparatus is subject to being altered and/or superceded. Recipients should not rely on this information. Any liabilities are hereby expressly disclaimed.  
 e. The information contained herein has been provided by the NTA but does not purport to be comprehensive or final. Recipients should not rely on the information. Neither the NTA nor any of its directors, officers, employees, agents, stakeholders or advisers make any representation or warranty as to, or accept any liability or responsibility in relation to, the adequacy, accuracy, reasonableness or completeness of the information provided as part of this document or any matter on which the information is based (including but not limited to loss or damage arising as a result of reliance by recipients on the information or any part of it). Any liabilities are hereby expressly disclaimed.

Rev	Date	Drm	Chk'd	App'd	Description
M01	13/05/2022	DS	EE	SMG	ISSUE FOR PHASE 4 : PLANNING

Client  
**NTA**  
 Údarás Náisiúnta Iompair  
 National Transport Authority

Engineering Designer  
**CIROD**  
 TYPSA

Date	Scale	Drawn	Checked	Approved
13/05/2022	1:250 @ A1 1:500 @ A3	DS	EE	SMG

Programme Title  
**BUSCONNECTS DUBLIN**  
**CORE BUS CORRIDORS INFRASTRUCTURE WORKS**

Drawing Title  
 BALLYMUN / FINGLAS TO CITY CENTRE CORE BUS CORRIDOR SCHEME  
 JUNCTION SYSTEM DESIGN  
 BALLYBOGGAN ROAD / FINGLAS ROAD

Drawing File Name	Sheet Number	Status	Rev
BCIDD-ROT-TSM_SJ-0304_XX_00-DR-CR-0034	34 of 38	A	M01

DO NOT SCALE USE FIGURED DIMENSIONS ONLY

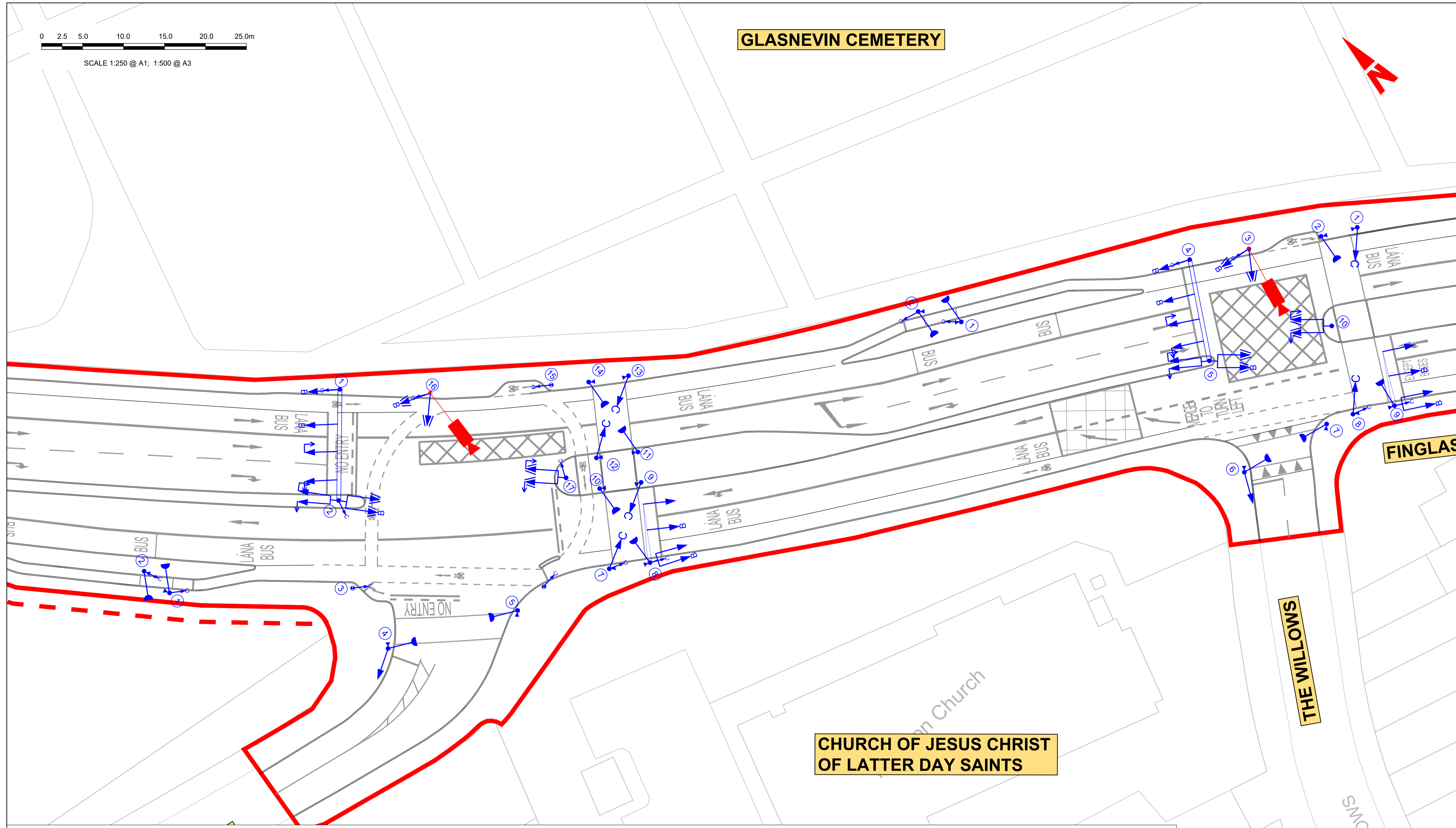


SCALE 1:250 @ A1; 1:500 @ A3

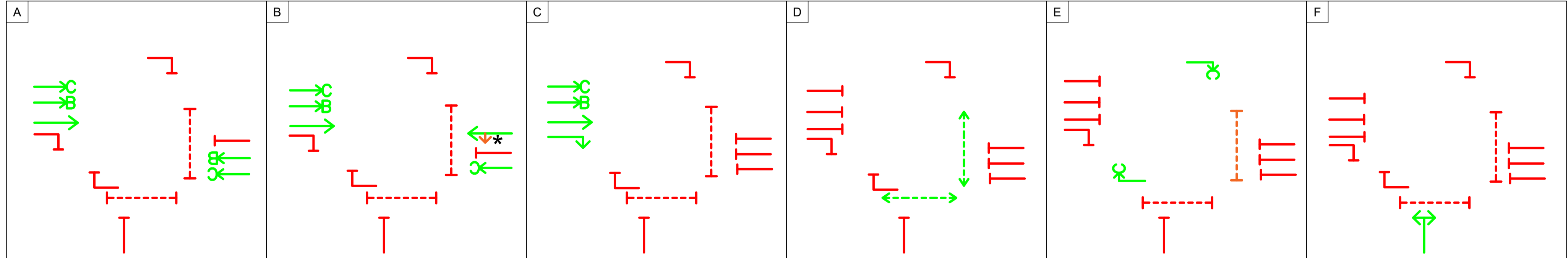
**GLASNEVIN CEMETERY**



- LEGEND:**
- TRAFFIC SIGNAL HEADS:**
- RTS 001 PRIMARY
  - RTS 001 SECONDARY
  - RTS 002 PRIMARY
  - RTS 002 SECONDARY
  - RTS 003 (RUS 012) PRIMARY
  - RTS 003 (RUS 012) SECONDARY
  - RTS 007 (LOW LEVEL) PRIMARY
  - RPC 004 PEDESTRIAN HEAD
- TRAFFIC SIGNAL EQUIPMENT:**
- POLE (STANDARD HEIGHT)
  - TALL POLE (CCTV/TRAFFIC SIGNALS)
  - POLE NUMBER
  - PUSH BUTTON UNIT
  - PAN / TILT / ZOOM CCTV CAMERA
- GENERAL:**
- SITE BOUNDARY LINE
  - TEMPORARY LAND ACQUISITION



**INDICATIVE METHOD OF CONTROL**



\* DENOTES FLASHING AMBER

**Disclaimer**  
 a. © National Transport Authority (NTA) 2022. This drawing is confidential and the copyright in it is owned by NTA. This drawing must not be either loaned, copied or otherwise reproduced in whole or in part or used for any purpose without the prior permission of NTA.  
 b. This drawing is to be used for the design element identified in the titlebox. Other information shown is to be considered indicative only. The drawing is to be read in conjunction with all other relevant design drawings.  
 c. O.S. data used for plans are printed under © Ordnance Survey Ireland Government of Ireland. All rights reserved. Licence Number 2022/OSI\_NMA\_180 National Transport Authority. All elevations are in metres and relate to OSI Geoid Model (OSGM15) Mean Head. All Co-ordinates are in Irish

Transverse Mercator Grid (ITM) as defined by OSI active local GPS station.  
 d. Information concerning the position of apparatus shown on this drawing is based on drawings supplied by the utility owners and/or the utility works contractor, whilst every care has been taken in the preparation of this drawing, positions should be taken as approximate and are intended for general guidance only and no representation is made by the NTA as to the accuracy, completeness, sufficiency or otherwise of this drawing and the position of the apparatus. The information contained herein does not purport to be comprehensive or final as the apparatus is subject to being altered and/or superceded. Recipients should not rely on this information. Any liabilities are hereby expressly disclaimed.

The information contained herein has been provided by the NTA but does not purport to be comprehensive or final. Recipients should not rely on the information. Neither the NTA nor any of its directors, officers, employees, agents, stakeholders or advisers make any representation or warranty as to, or accept any liability or responsibility in relation to, the adequacy, accuracy, reasonableness or completeness of the information provided as part of this document or any matter on which the information is based (including but not limited to loss or damage arising as a result of reliance by recipients on the information or any part of it). Any liabilities are hereby expressly disclaimed.



Rev	Date	Drm	Chk'd	App'd	Description
M01	13/05/2022	DS	EE	SMG	ISSUE FOR PHASE 4 : PLANNING

Client  
**NTA**  
 Údarás Náisiúnta Iompair  
 National Transport Authority

Engineering Designer  
**PROD**  
 TYPSA

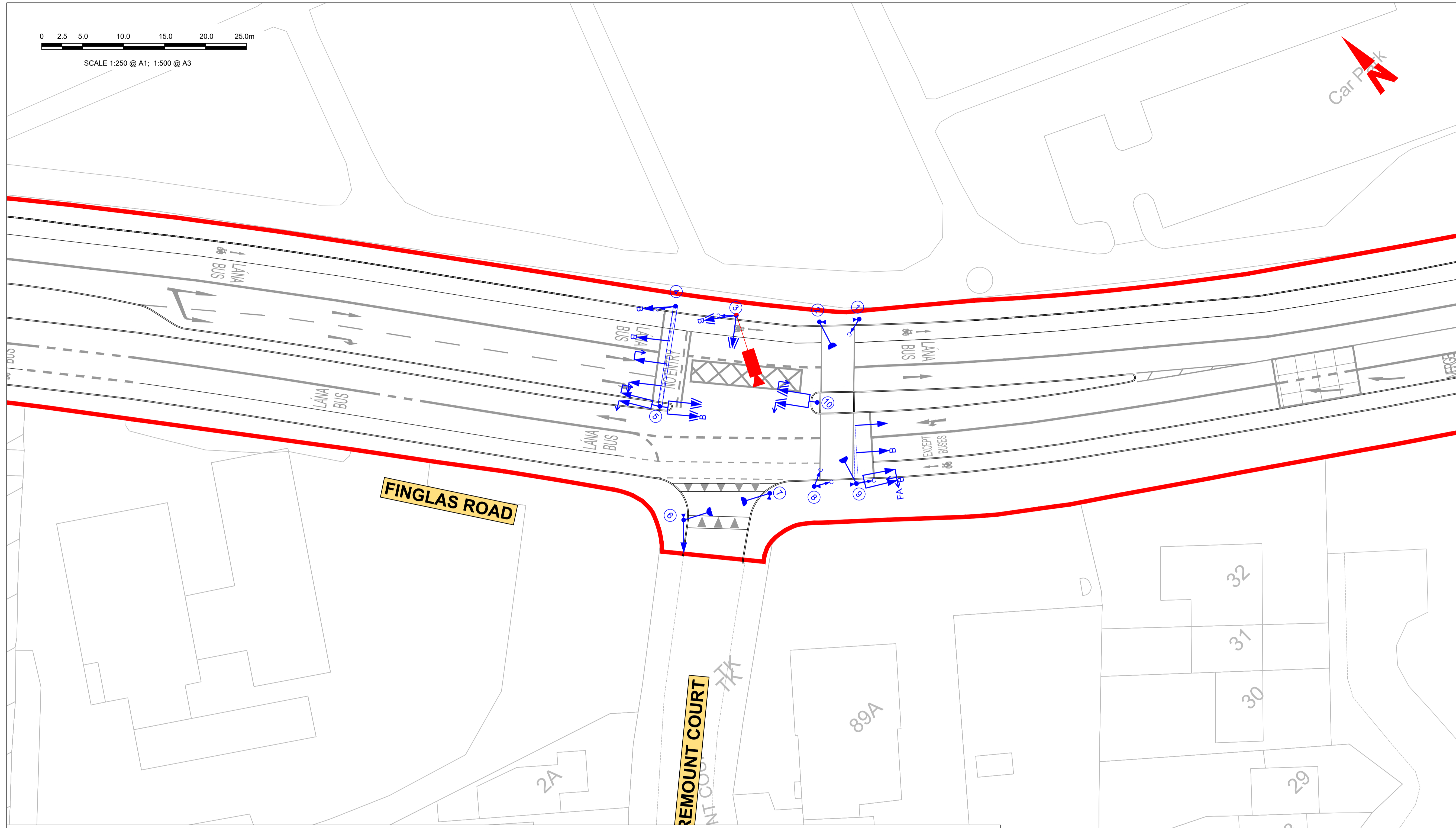
Programme Title <b>BUSCONNECTS DUBLIN CORE BUS CORRIDORS INFRASTRUCTURE WORKS</b>	
Drawing Title BALLYMUN / FINGLAS TO CITY CENTRE CORE BUS CORRIDOR SCHEME JUNCTION SYSTEM DESIGN SLANEY ROAD / FINGLAS ROAD	
Drawing File Name BCIDD-ROT-TSM_SJ-0304_XX_00-DR-CR-0035	Sheet Number 35 of 38
Status A	Rev M01



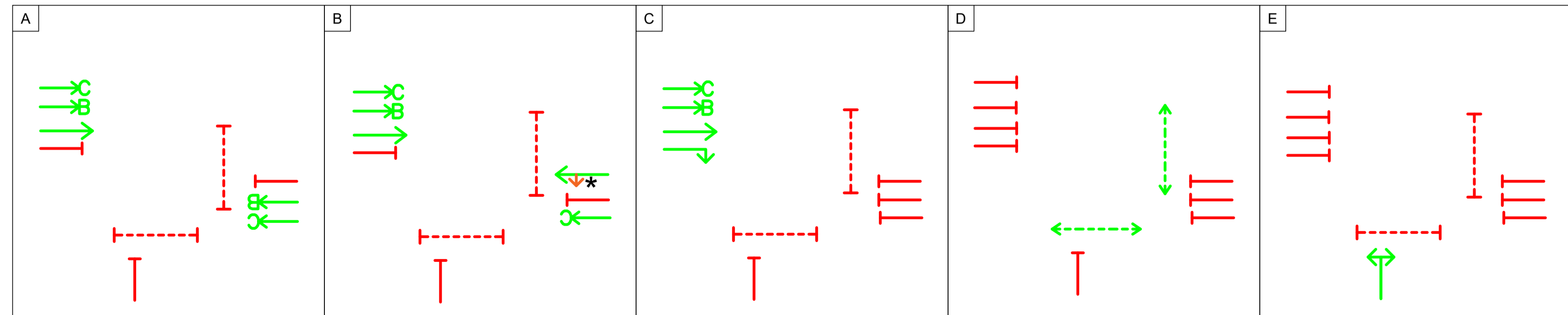
SCALE 1:250 @ A1; 1:500 @ A3

LEGEND:

- TRAFFIC SIGNAL HEADS:**
- RTS 001 PRIMARY
  - RTS 001 SECONDARY
  - RTS 002 PRIMARY
  - RTS 002 SECONDARY
  - RTS 003 (RUS 012) PRIMARY
  - RTS 003 (RUS 012) SECONDARY
  - RTS 007 (LOW LEVEL) PRIMARY
  - RPC 004 PEDESTRIAN HEAD
- TRAFFIC SIGNAL EQUIPMENT:**
- POLE (STANDARD HEIGHT)
  - TALL POLE (CCTV/TRAFFIC SIGNALS)
  - POLE NUMBER
  - PUSH BUTTON UNIT
  - PAN / TILT / ZOOM CCTV CAMERA
- GENERAL:**
- SITE BOUNDARY LINE
  - TEMPORARY LAND ACQUISITION



INDICATIVE METHOD OF CONTROL



\* DENOTES FLASHING AMBER

**Disclaimer**  
 a. © National Transport Authority (NTA) 2022. This drawing is confidential and the copyright in it is owned by NTA. This drawing must not be either loaned, copied or otherwise reproduced in whole or in part or used for any purpose without the prior permission of NTA.  
 b. This drawing is to be used for the design element identified in the titlebox. Other information shown is to be considered indicative only. The drawing is to be read in conjunction with all other relevant design drawings.  
 c. O.S. data used for plans are printed under © Ordnance Survey Ireland Government of Ireland. All rights reserved. Licence Number 2022/OSI\_NMA\_180 National Transport Authority. All elevations are in metres and relate to OSI Geoid Model (OSGM15) Mean Head. All Co-ordinates are in Irish Transverse Mercator Grid (ITM) as defined by OSI active local GPS station.  
 d. Information concerning the position of apparatus shown on this drawing is based on drawings supplied by the utility owners and/or the utility works contractor, whilst every care has been taken in the preparation of this drawing, positions should be taken as approximate and are intended for general guidance only and no representation is made by the NTA as to the accuracy, completeness, sufficiency or otherwise of this drawing and the position of the apparatus. The information contained herein does not purport to be comprehensive or final as the apparatus is subject to being altered and/or superceded. Recipients should not rely on this information. Any liabilities are hereby expressly disclaimed.  
 e. The information contained herein has been provided by the NTA but does not purport to be comprehensive or final. Recipients should not rely on the information. Neither the NTA nor any of its directors, officers, employees, agents, stakeholders or advisers make any representation or warranty as to, or accept any liability or responsibility in relation to, the adequacy, accuracy, reasonableness or completeness of the information provided as part of this document or any matter on which the information is based (including but not limited to loss or damage arising as a result of reliance by recipients on the information or any part of it). Any liabilities are hereby expressly disclaimed.

Rev	Date	Drm	Chk'd	App'd	Description
M01	13/05/2022	DS	EE	SMG	ISSUE FOR PHASE 4 : PLANNING

Client: **NTA** Údarás Náisiúnta Iompair National Transport Authority

Engineering Designer: **FIROD** TYPSA

Date: 13/05/2022 Scale: 1:250 @ A1, 1:500 @ A3

Programme Code: BCIDD Originator Code: ROT

Drawn: DS Checked: EE Approved: SMG

Programme Title: **BUSCONNECTS DUBLIN CORE BUS CORRIDORS INFRASTRUCTURE WORKS**

Drawing Title: **BALLYMUN / FINGLAS TO CITY CENTRE CORE BUS CORRIDOR SCHEME JUNCTION SYSTEM DESIGN CLAREMOUNT COURT / FINGLAS ROAD**

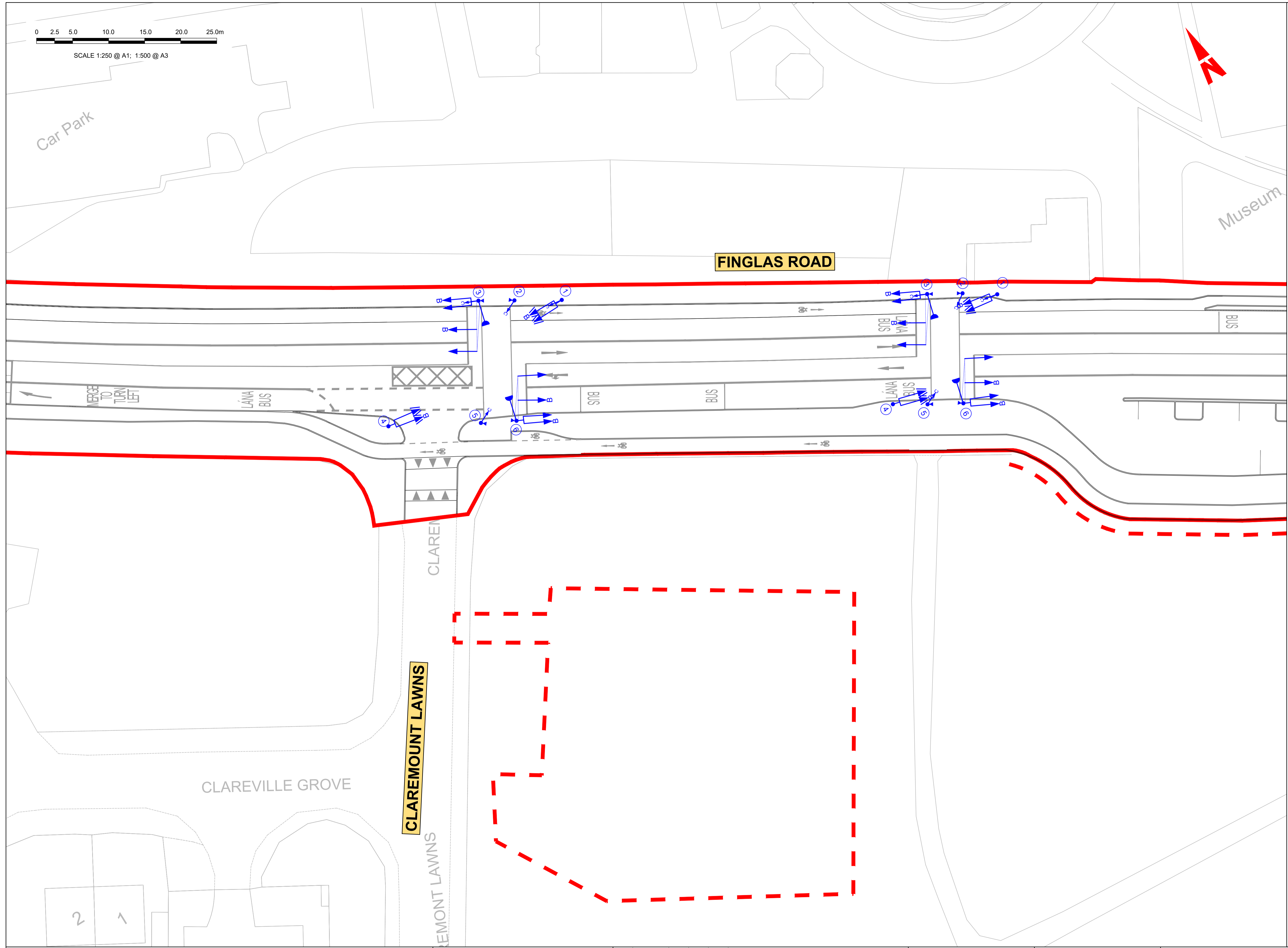
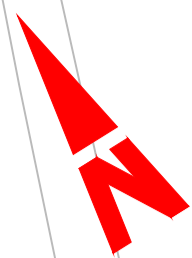
Drawing File Name: BCIDD-ROT-TSM\_SJ-0304\_XX\_00-DR-CR-0036

Sheet Number: 36 of 38 Status: A Rev: M01

DO NOT SCALE USE FIGURED DIMENSIONS ONLY



SCALE 1:250 @ A1; 1:500 @ A3



- LEGEND:**
- TRAFFIC SIGNAL HEADS:**
- RTS 001 PRIMARY
  - RTS 001 SECONDARY
  - RTS 002 PRIMARY
  - RTS 002 SECONDARY
  - RTS 003 (RUS 012) PRIMARY
  - RTS 003 (RUS 012) SECONDARY
  - RTS 007 (LOW LEVEL) PRIMARY
  - RPC 004 PEDESTRIAN HEAD
- TRAFFIC SIGNAL EQUIPMENT:**
- POLE (STANDARD HEIGHT)
  - TALL POLE (CCTV/TRAFFIC SIGNALS)
  - POLE NUMBER
  - PUSH BUTTON UNIT
  - PAN / TILT / ZOOM CCTV CAMERA
- GENERAL:**
- SITE BOUNDARY LINE
  - TEMPORARY LAND ACQUISITION

**Disclaimer**  
 a. © National Transport Authority (NTA) 2022. This drawing is confidential and the copyright in it is owned by NTA. This drawing must not be either loaned, copied or otherwise reproduced in whole or in part or used for any purpose without the prior permission of NTA.  
 b. This drawing is to be used for the design element identified in the titlebox. Other information shown is to be considered indicative only. The drawing is to be read in conjunction with all other relevant design drawings.  
 c. O.S. data used for plans are printed under © Ordnance Survey Ireland Government of Ireland. All rights reserved. Licence Number 2022/OSI\_NMA\_180 National Transport Authority. All elevations are in metres and relate to OSI Geoid Model (OSGM15) Mean Head. All Co-ordinates are in Irish

Transverse Mercator Grid (ITM) as defined by OSI active local GPS station.  
 d. Information concerning the position of apparatus shown on this drawing is based on drawings supplied by the utility owners and/or the utility works contractor, whilst every care has been taken in the preparation of this drawing, positions should be taken as approximate and are intended for general guidance only and no representation is made by the NTA as to the accuracy, completeness, sufficiency or otherwise of this drawing and the position of the apparatus. The information contained herein does not purport to be comprehensive or final as the apparatus is subject to being altered and/or superceded. Recipients should not rely on this information. Any liabilities are hereby expressly disclaimed.

e. The information contained herein has been provided by the NTA but does not purport to be comprehensive or final. Recipients should not rely on the information. Neither the NTA nor any of its directors, officers, employees, agents, stakeholders or advisers make any representation or warranty as to, or accept any liability or responsibility in relation to, the adequacy, accuracy, reasonableness or completeness of the information provided as part of this document or any matter on which the information is based (including but not limited to loss or damage arising as a result of reliance by recipients on the information or any part of it). Any liabilities are hereby expressly disclaimed.



Rev	Date	Drm	Chk'd	App'd	Description
M01	13/05/2022	DS	EE	SMG	ISSUE FOR PHASE 4 : PLANNING

Client  
**NTA**  
 Údarás Náisiúnta Iompair  
 National Transport Authority

Engineering Designer  
**FIROD**  
 TYPSA

Programme Title <b>BUSCONNECTS DUBLIN CORE BUS CORRIDORS INFRASTRUCTURE WORKS</b>				
Drawing Title BALLYMUN / FINGLAS TO CITY CENTRE CORE BUS CORRIDOR SCHEME JUNCTION SYSTEM DESIGN TOUCAN CROSSINGS				
Drawing File Name BCIDD-ROT-TSM_SJ-0304_XX_00-DR-CR-0037	Sheet Number 37 of 38	Status A	Rev M01	

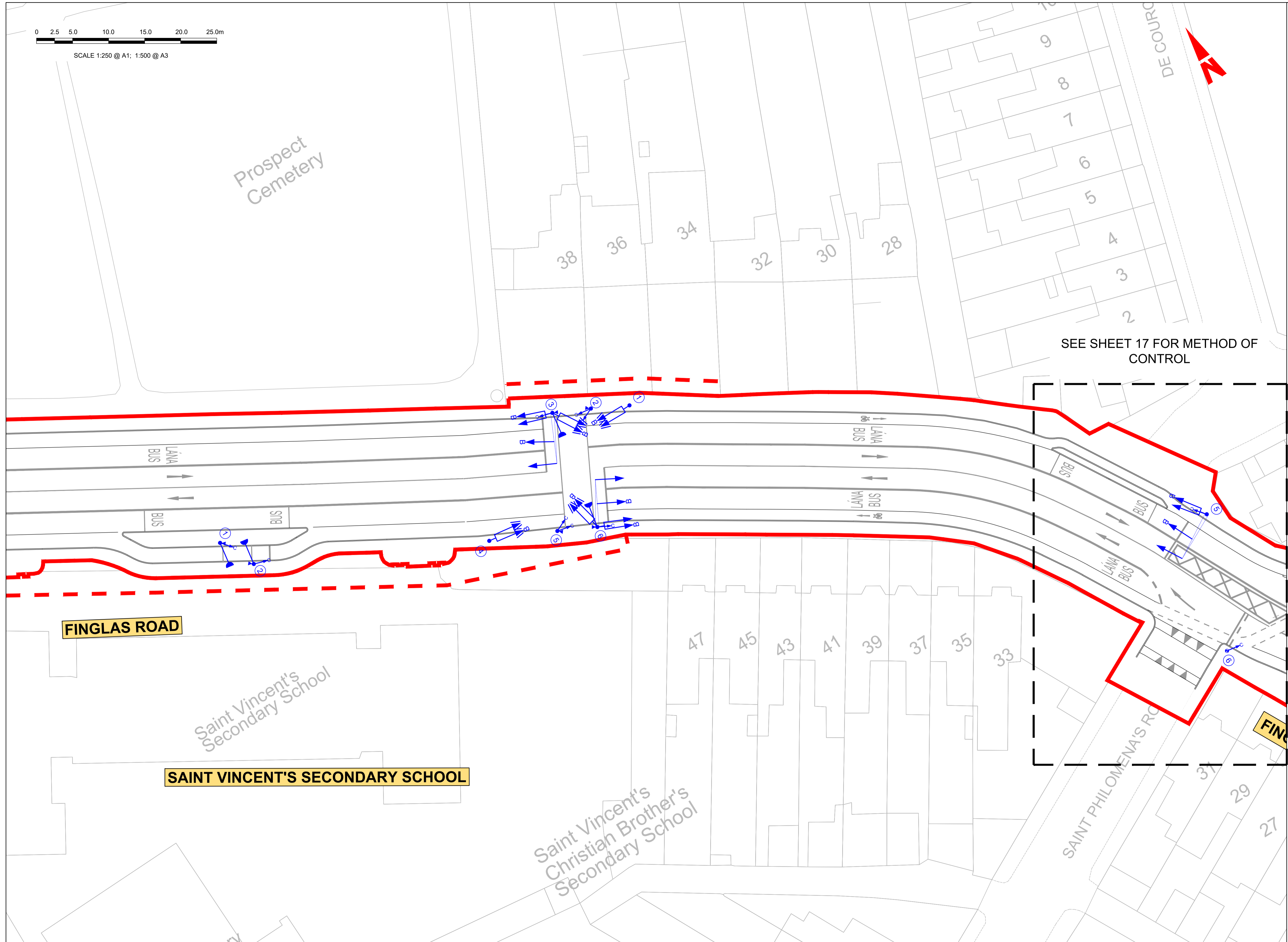
DO NOT SCALE USE FIGURED DIMENSIONS ONLY





SCALE 1:250 @ A1; 1:500 @ A3

- LEGEND:**
- TRAFFIC SIGNAL HEADS:**
- RTS 001 PRIMARY
  - RTS 001 SECONDARY
  - RTS 002 PRIMARY
  - RTS 002 SECONDARY
  - RTS 003 (RUS 012) PRIMARY
  - RTS 003 (RUS 012) SECONDARY
  - RTS 007 (LOW LEVEL) PRIMARY
  - RPC 004 PEDESTRIAN HEAD
- TRAFFIC SIGNAL EQUIPMENT:**
- POLE (STANDARD HEIGHT)
  - TALL POLE (CCTV/TRAFFIC SIGNALS)
  - POLE NUMBER
  - PUSH BUTTON UNIT
  - PAN / TILT / ZOOM CCTV CAMERA
- GENERAL:**
- SITE BOUNDARY LINE
  - TEMPORARY LAND ACQUISITION



**Disclaimer**  
 a. © National Transport Authority (NTA) 2022. This drawing is confidential and the copyright in it is owned by NTA. This drawing must not be either loaned, copied or otherwise reproduced in whole or in part or used for any purpose without the prior permission of NTA.  
 b. This drawing is to be used for the design element identified in the titlebox. Other information shown is to be considered indicative only. The drawing is to be read in conjunction with all other relevant design drawings.  
 c. O.S. data used for plans are printed under © Ordnance Survey Ireland Government of Ireland. All rights reserved. Licence Number 2022/OSI\_NMA\_180 National Transport Authority. All elevations are in metres and relate to OSI Geoid Model (OSGM15) Mean Head. All Co-ordinates are in Irish

Transverse Mercator Grid (ITM) as defined by OSI active local GPS station.  
 d. Information concerning the position of apparatus shown on this drawing is based on drawings supplied by the utility owners and/or the utility works contractor, whilst every care has been taken in the preparation of this drawing, positions should be taken as approximate and are intended for general guidance only and no representation is made by the NTA as to the accuracy, completeness, sufficiency or otherwise of this drawing and the position of the apparatus. The information contained herein does not purport to be comprehensive or final as the apparatus is subject to being altered and/or superceded. Recipients should not rely on this information. Any liabilities are hereby expressly disclaimed.

e. The information contained herein has been provided by the NTA but does not purport to be comprehensive or final. Recipients should not rely on the information. Neither the NTA nor any of its directors, officers, employees, agents, stakeholders or advisers make any representation or warranty as to, or accept any liability or responsibility in relation to, the adequacy, accuracy, reasonableness or completeness of the information provided as part of this document or any matter on which the information is based (including but not limited to loss or damage arising as a result of reliance by recipients on the information or any part of it). Any liabilities are hereby expressly disclaimed.



Rev	Date	Drm	Chk'd	App'd	Description
M01	13/05/2022	DS	EE	SMG	ISSUE FOR PHASE 4 : PLANNING

Client: **NTA**  
 Údarás Náisiúnta Iompair  
 National Transport Authority

Engineering Designer: **FIROD**  
 TYPSA

Date: 13/05/2022 Scale: 1:250 @ A1, 1:500 @ A3  
 Drawn: DS Checked: EE Approved: SMG

Programme Code: BCIDD Originator Code: ROT QMS Code:

Programme Title: <b>BUSCONNECTS DUBLIN CORE BUS CORRIDORS INFRASTRUCTURE WORKS</b>			
Drawing Title: <b>BALLYMUN / FINGLAS TO CITY CENTRE CORE BUS CORRIDOR SCHEME JUNCTION SYSTEM DESIGN TOUCAN CROSSING</b>			
Drawing File Name: BCIDD-ROT-TSM_SJ-0304_XX_00-DR-CR-0038	Sheet Number: 38 of 38	Status: A	Rev: M01

DO NOT SCALE USE FIGURED DIMENSIONS ONLY